



Chipsmall Limited consists of a professional team with an average of over 10 year of expertise in the distribution of electronic components. Based in Hongkong, we have already established firm and mutual-benefit business relationships with customers from,Europe,America and south Asia,supplying obsolete and hard-to-find components to meet their specific needs.

With the principle of “Quality Parts,Customers Priority,Honest Operation,and Considerate Service”,our business mainly focus on the distribution of electronic components. Line cards we deal with include Microchip,ALPS,ROHM,Xilinx,Pulse,ON,Everlight and Freescale. Main products comprise IC,Modules,Potentiometer,IC Socket,Relay,Connector.Our parts cover such applications as commercial,industrial, and automotives areas.

We are looking forward to setting up business relationship with you and hope to provide you with the best service and solution. Let us make a better world for our industry!



## Contact us

Tel: +86-755-8981 8866 Fax: +86-755-8427 6832

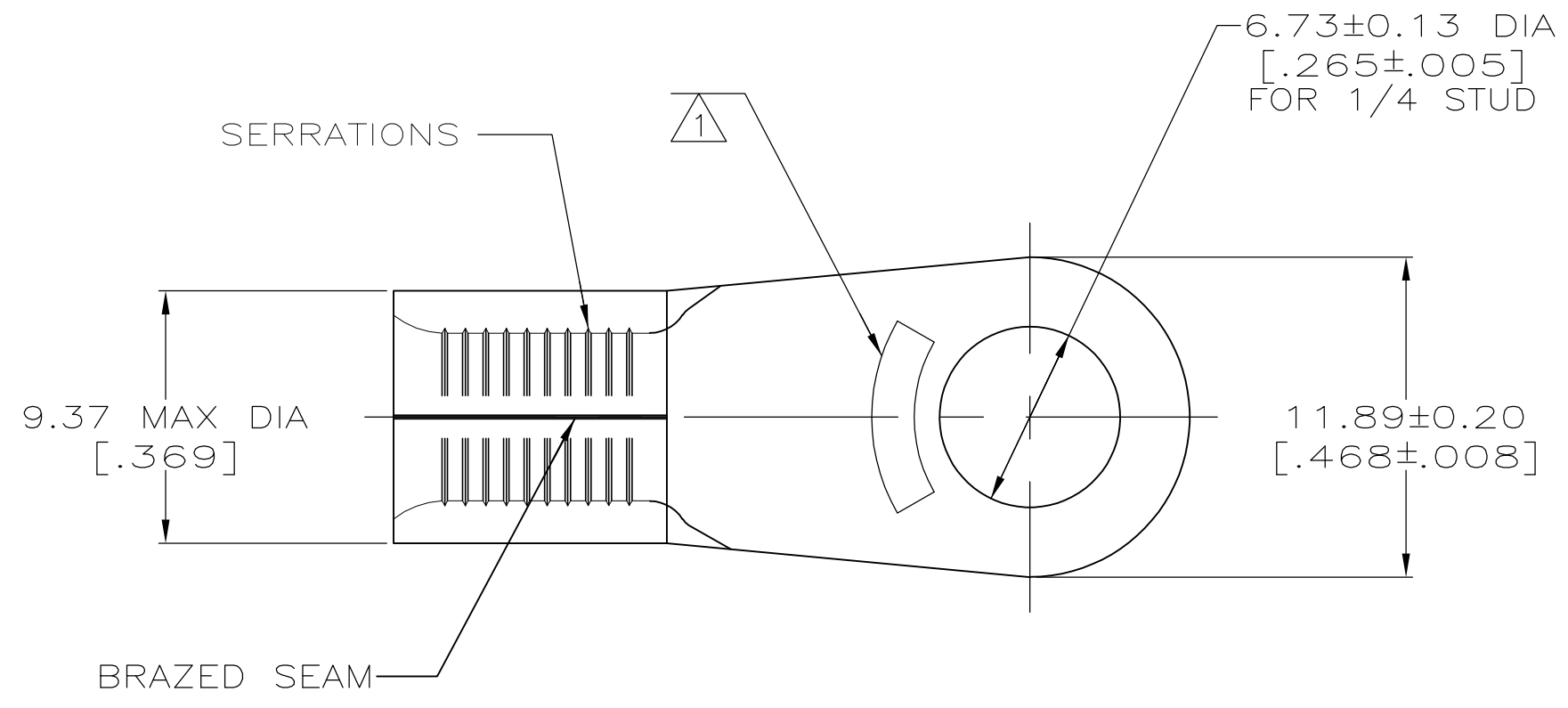
Email & Skype: info@chipsmall.com Web: www.chipsmall.com

Address: A1208, Overseas Decoration Building, #122 Zhenhua RD., Futian, Shenzhen, China



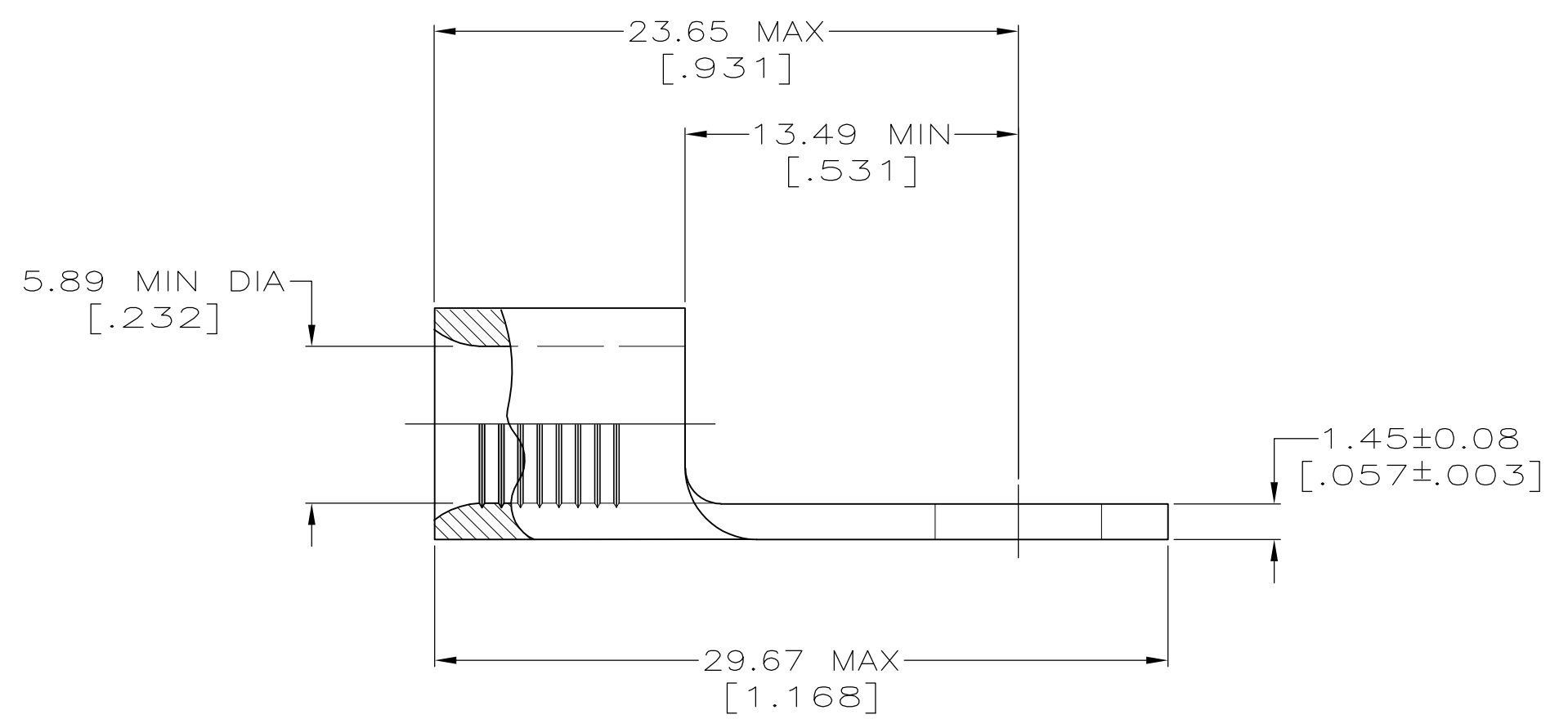
THIS DRAWING IS UNPUBLISHED. RELEASED FOR PUBLICATION  
 © COPYRIGHT - By - ALL RIGHTS RESERVED.

LOC	DIST	REVISIONS					
G	14	P	LTR	DESCRIPTION	DATE	DWN	APVD
		G4		REVISED PER ECO-11-004587	11MAR11	RK	HMR



<b>AMP</b> WIRE RANGE	Listed FILE E13288	LR7189 Certified
6 AWG SOLID OR STRANDED	6 AWG STRANDED	6 AWG SOLID OR STRANDED

- ① STAMP AMP 6\* APPROX AS SHOWN
- ② P/N 2-321598-1 PRODUCED ONLY BY FOREIGN SUBSIDIARIES OF AMP INC
- ③ COPPER PER ASTM B-152, ANNEALED
- ④ MEETS MS20659-109, CLASS 2



25	LOOSE PIECE BAG 321598	170° C	TIN PLATE 0.00254[.000100] MIN THK PER MIL-T-10727	8-321598-5
25	LOOSE PIECE BOX 321598	170° C	TIN PLATE 0.00254[.000100] MIN THK PER MIL-T-10727	8-321598-3
1000	LOOSE PIECE BOX 321598	170° C	TIN PLATE 0.00254[.000100] MIN THK PER MIL-T-10727	2-321598-4
750	321598 ON TAPE	170° C	TIN PLATE 0.00254[.000100] MIN THK PER MIL-T-10727	④ 2-321598-3
----	④ LOOSE PIECE	----	GOLD PLATE TYPE II 0.00127 [0.00005] MIN THK PER MIL-G-45204 OVER NICKEL PLATE 0.000762 [0.00003] MIN THK PER QQ-N-290	2-321598-1
----	LOOSE PIECE	170° C	TIN PLATE 0.00254[.000100] MIN THK PER MIL-T-10727	④ 321598
QTY.	PACKAGE TYPE	OPERATING TEMP, MAX	FINISH	PART NO.

<b>CUSTOMER SERVICE SYSTEMS</b>			THIS DRAWING IS A CONTROLLED DOCUMENT.		DWN TA BRINKMAN 3-24-93	TE Connectivity			
FOR ADDITIONAL PRODUCT INFORMATION OR COPIES OF DRAWINGS AND TECHNICAL DOCUMENTS	PRODUCT INFORMATION CENTER 1-800-522-6752	RECOMMENDED OPERATING TEMPERATURE: SEE TABLE	DIMENSIONS: MM[INCHES ]	TOLERANCES UNLESS OTHERWISE SPECIFIED:	CHK DA PATTERSON 3-24-93	NAME TERMINAL, RING TONGUE, SOLISTRAND			
FOR APPLICATION TOOLING INFORMATION	TOOLING ASSISTANCE CENTER 1-800-722-1111	VOLTAGE RATING: NOT APPLICABLE		0 PLC ± - 1 PLC ± - 2 PLC ± - 3 PLC ± - 4 PLC ± - ANGLES ± -	APVD JL MECKLEY 3-24-93				
FOR ORDER ENTRY	1-800-526-5142	WIRE CROSS SECTIONAL AREA RANGE: 10.5-16.8mm <sup>2</sup> [20,800-33,100] CIR MILS SOLID OR STRANDED	MATERIAL - ③	FINISH SEE TABLE	PRODUCT SPEC -	SIZE A2	CAGE CODE 00779	DRAWING NO C-321598	RESTRICTED TO -
					WEIGHT -	SCALE 4:1	SHEET 1 of 1	REV G4	

321598

A