



Chipsmall Limited consists of a professional team with an average of over 10 year of expertise in the distribution of electronic components. Based in Hongkong, we have already established firm and mutual-benefit business relationships with customers from,Europe,America and south Asia,supplying obsolete and hard-to-find components to meet their specific needs.

With the principle of “Quality Parts,Customers Priority,Honest Operation,and Considerate Service”,our business mainly focus on the distribution of electronic components. Line cards we deal with include Microchip,ALPS,ROHM,Xilinx,Pulse,ON,Everlight and Freescale. Main products comprise IC,Modules,Potentiometer,IC Socket,Relay,Connector.Our parts cover such applications as commercial,industrial, and automotives areas.

We are looking forward to setting up business relationship with you and hope to provide you with the best service and solution. Let us make a better world for our industry!



## Contact us

Tel: +86-755-8981 8866 Fax: +86-755-8427 6832

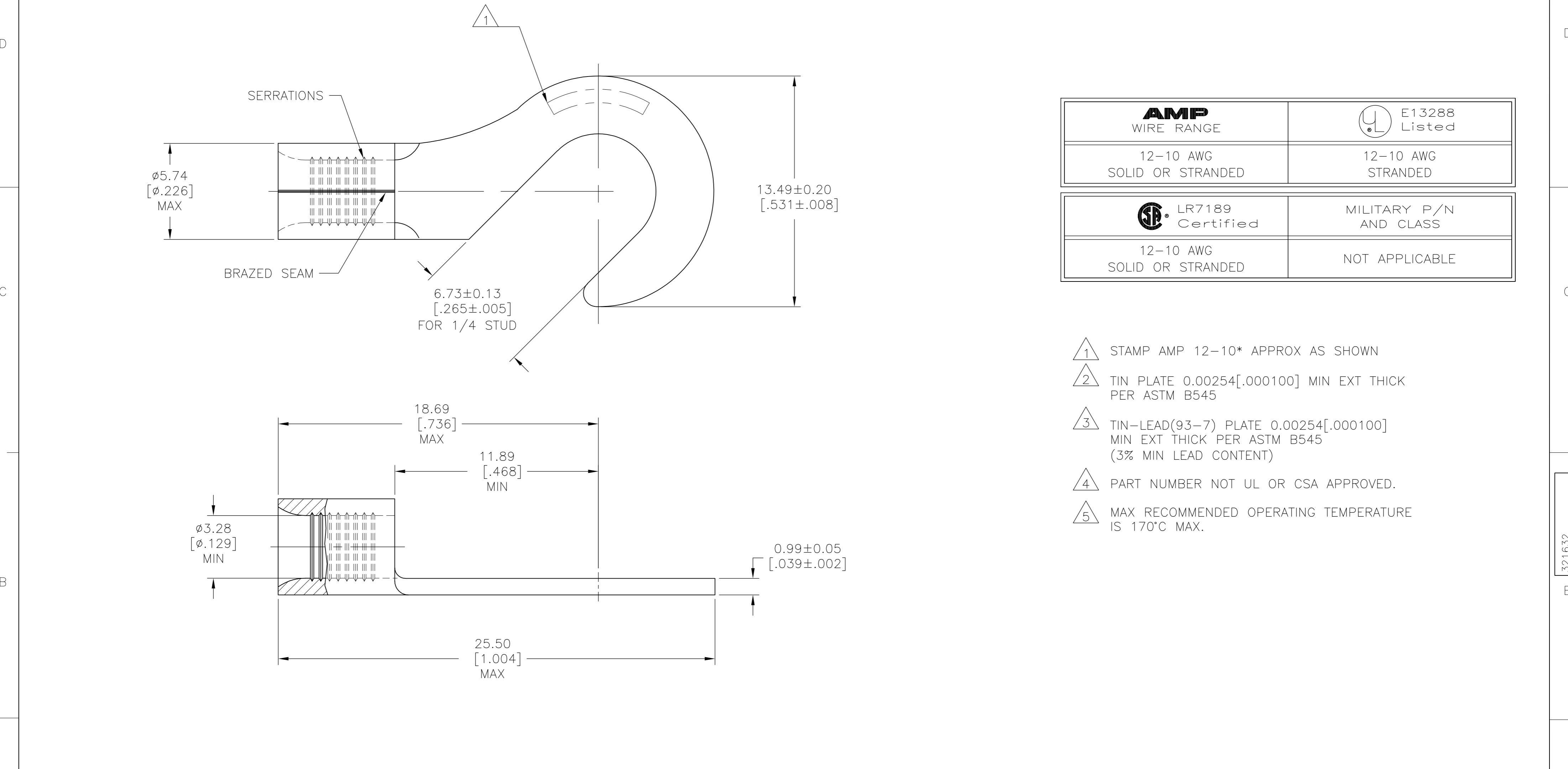
Email & Skype: info@chipsmall.com Web: www.chipsmall.com

Address: A1208, Overseas Decoration Building, #122 Zhenhua RD., Futian, Shenzhen, China



THIS DRAWING IS UNPUBLISHED. RELEASED FOR PUBLICATION  
 © COPYRIGHT - By - ALL RIGHTS RESERVED.

LOC	DIST	REVISIONS			
P	LTR	DESCRIPTION	DATE	DWN	APVD
G	14				
	D2	REVISED PER ECO-12-015539	28AUG12	KH	DR



<b>AMP</b> WIRE RANGE	E13288 Listed
12-10 AWG SOLID OR STRANDED	12-10 AWG STRANDED
LR7189 Certified	MILITARY P/N AND CLASS
12-10 AWG SOLID OR STRANDED	NOT APPLICABLE

- 1** STAMP AMP 12-10\* APPROX AS SHOWN
- 2** TIN PLATE 0.00254[.000100] MIN EXT THICK PER ASTM B545
- 3** TIN-LEAD(93-7) PLATE 0.00254[.000100] MIN EXT THICK PER ASTM B545 (3% MIN LEAD CONTENT)
- 4** PART NUMBER NOT UL OR CSA APPROVED.
- 5** MAX RECOMMENDED OPERATING TEMPERATURE IS 170°C MAX.

<b>AMP INCORPORATED CUSTOMER SERVICE SYSTEMS</b>		MAX RECOMMENDED OPERATING TEMPERATURE: <b>5</b>
FOR ADDITIONAL PRODUCT INFORMATION OR COPIES OF DRAWINGS AND TECHNICAL DOCUMENTS	PRODUCT INFORMATION CENTER 1-800-522-6752	VOLTAGE RATING: NOT APPLICABLE
FOR APPLICATION TOOLING INFORMATION	TOOLING ASSISTANCE CENTER 1-800-722-1111	WIRE CROSS SECTIONAL AREA RANGE: 2.62-6.64mm <sup>2</sup> [5,180-13,100] CIR MILS SOLID OR STRANDED
FOR ORDER ENTRY	1-800-526-5142	THIS DRAWING IS A CONTROLLED DOCUMENT FOR AMP INCORPORATED. IT IS SUBJECT TO CHANGE AND THE CONTROLLING ENGINEERING ORGANIZATION SHOULD BE CONTACTED FOR THE LATEST REVISION.

<b>3</b> / <b>4</b>	500	LOOSE PIECE	321632-1
<b>5</b> / <b>2</b>	500	LOOSE PIECE	321632
	QUANTITY	PACKAGING TYPE	PART NO

THIS DRAWING IS A CONTROLLED DOCUMENT.		DWN TA BRINKMAN 4-8-93	TE Connectivity	
DIMENSIONS: mm [INCHES]		CHK DA PATTERSON 4-8-93	NAME TERMINAL, HOOK TONGUE, SOLISTRAND™	
TOLERANCES UNLESS OTHERWISE SPECIFIED:		APVD DE MILLER 4-8-93	PRODUCT SPEC	
0 PLC ± -		APPLICATION SPEC		
1 PLC ± -		WEIGHT		
2 PLC ± -		SIZE A2		
3 PLC ± -		CAGE CODE 00779		
4 PLC ± -		DRAWING NO C=321632		
ANGLES ± -		RESTRICTED TO		
FINISH <b>2</b> / <b>3</b>		SCALE 8:1		
MATERIAL COPPER PER ASTM B-152 ANNEALED		SHEET 1 OF 1		
CUSTOMER DRAWING		REV D2		

321632