



Chipsmall Limited consists of a professional team with an average of over 10 year of expertise in the distribution of electronic components. Based in Hongkong, we have already established firm and mutual-benefit business relationships with customers from,Europe,America and south Asia,supplying obsolete and hard-to-find components to meet their specific needs.

With the principle of “Quality Parts,Customers Priority,Honest Operation,and Considerate Service”,our business mainly focus on the distribution of electronic components. Line cards we deal with include Microchip,ALPS,ROHM,Xilinx,Pulse,ON,Everlight and Freescale. Main products comprise IC,Modules,Potentiometer,IC Socket,Relay,Connector.Our parts cover such applications as commercial,industrial, and automotives areas.

We are looking forward to setting up business relationship with you and hope to provide you with the best service and solution. Let us make a better world for our industry!



## Contact us

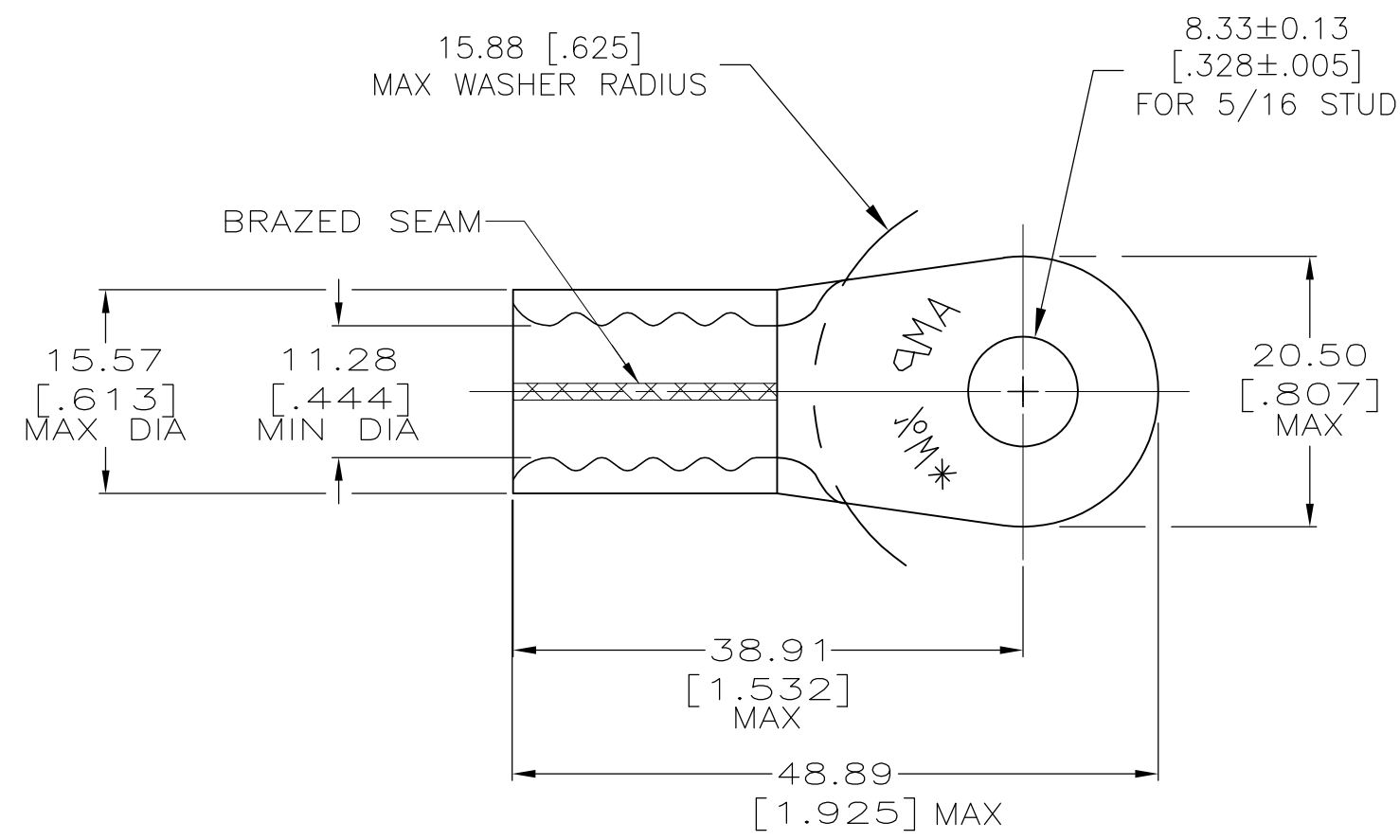
Tel: +86-755-8981 8866 Fax: +86-755-8427 6832

Email & Skype: info@chipsmall.com Web: www.chipsmall.com

Address: A1208, Overseas Decoration Building, #122 Zhenhua RD., Futian, Shenzhen, China



LOC	DIST	REVISIONS					
G	14	P	LTR	DESCRIPTION	DATE	DWN	APVD
		F4		REVISED PER ECO-11-004917	11MAR11	RK	HMR



<b>AMP</b> WIRE RANGE	E13288 Listed
1/0 AWG SOLID OR STRANDED	1/0 AWG SOLID OR STRANDED
LR7189 Certified	MILITARY P/N AND CLASS
1/0 AWG SOLID OR STRANDED	

- TIN PL 0.00254[.000100] MIN THK PER ASTM B-545
- NICKEL PLATE 0.00762 [.000300] MIN EXT. THK PER QQ-N-290
- MS20659-151 CLASS 2

170°C	25	SMALL		COPPER ASTM B-152 1.78 ±0.08 [.070 ±.003] ANNEALED	8-321867-3
343°C	50	STANDARD			321867-2
170°C	50	STANDARD			321867
MAX TEMP RATING	QTY	PACKAGE TYPE	FINISH	MATERIAL	PART NO.
MAX RECOMMENDED OPERATING TEMPERATURE: SEE TABLE	THIS DRAWING IS A CONTROLLED DOCUMENT.			DWN 8/30/91 DK SCHRUM	TE Connectivity
	VOLTAGE RATING: N/A	DIMENSIONS: mm[INCHES]	TOLERANCES UNLESS OTHERWISE SPECIFIED:	CHK 9/30/91 RD HEIM	
CIRCULAR MIL AREA: 42.4-60.6mm² [83,700-118,500]			0 PLC ± -	APVD 9/30/91 AJ KAUFMAN	NAME
	1 PLC ± -		PRODUCT SPEC	TERMINAL, RING TONGUE, SOLISTRAND	
		2 PLC ± 0.20[.008]	APPLICATION SPEC	WIRE SIZE 50.0mm² [1/0] AWG	
		3 PLC ± -	WEIGHT -	SIZE CAGE CODE DRAWING NO	RESTRICTED TO
		4 PLC ± -	FINISH	A3 00779 C-321867	-
		ANGLES ± -	SEE TABLE	CUSTOMER DRAWING	SCALE 2:1 SHEET 1 OF 1 REV F4