



Chipsmall Limited consists of a professional team with an average of over 10 year of expertise in the distribution of electronic components. Based in Hongkong, we have already established firm and mutual-benefit business relationships with customers from,Europe,America and south Asia,supplying obsolete and hard-to-find components to meet their specific needs.

With the principle of "Quality Parts,Customers Priority,Honest Operation,and Considerate Service",our business mainly focus on the distribution of electronic components. Line cards we deal with include Microchip,ALPS,ROHM,Xilinx,Pulse,ON,Everlight and Freescale. Main products comprise IC,Modules,Potentiometer,IC Socket,Relay,Connector.Our parts cover such applications as commercial,industrial, and automotives areas.

We are looking forward to setting up business relationship with you and hope to provide you with the best service and solution. Let us make a better world for our industry!



Contact us

Tel: +86-755-8981 8866 Fax: +86-755-8427 6832

Email & Skype: info@chipsmall.com Web: www.chipsmall.com

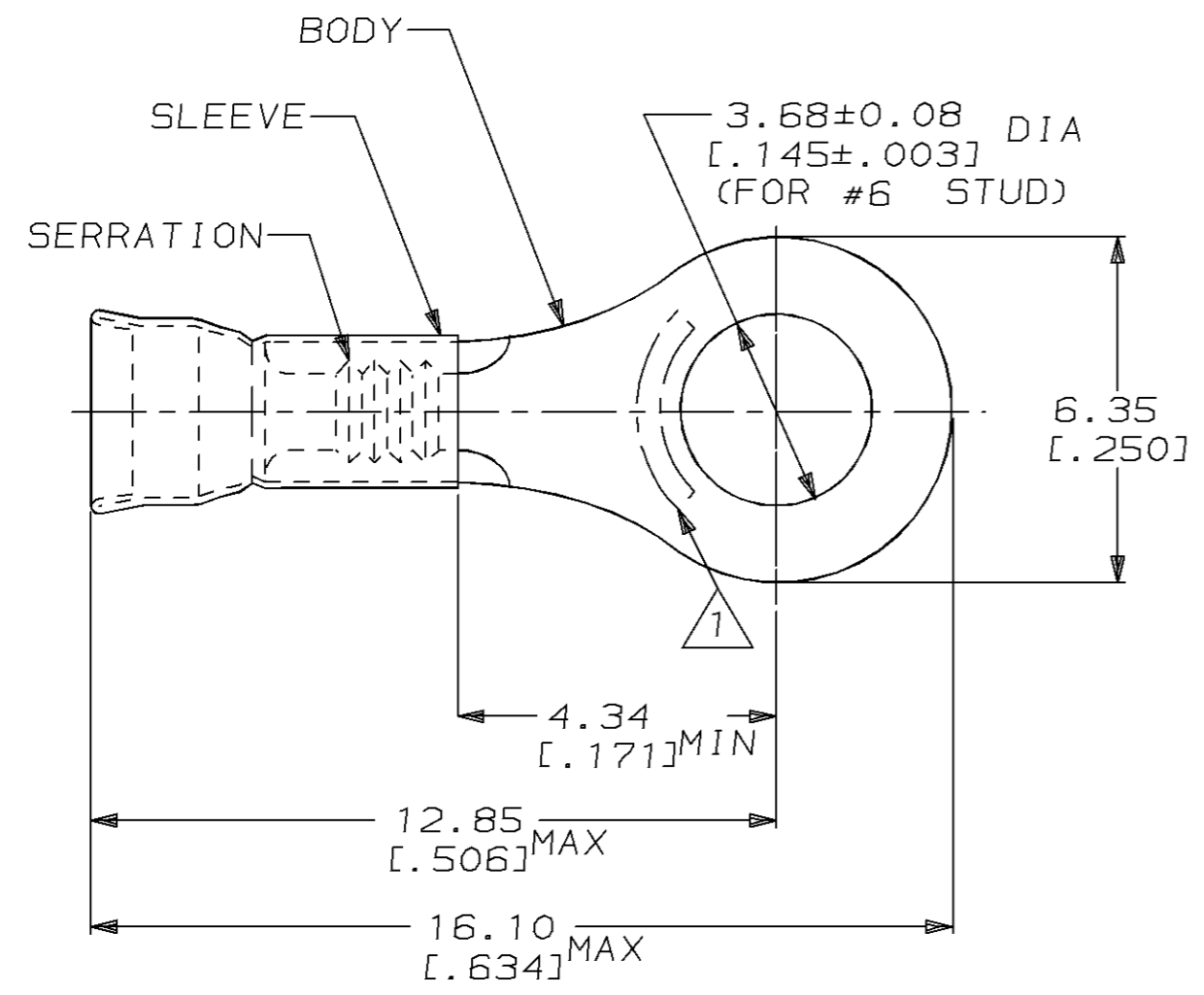
Address: A1208, Overseas Decoration Building, #122 Zhenhua RD., Futian, Shenzhen, China



THIS DRAWING IS UNPUBLISHED. RELEASED FOR PUBLICATION ,19 .
 © COPYRIGHT 19 BY AMP INCORPORATED. ALL RIGHTS RESERVED.

| LOC | DIST | REVISIONS | | | | | |
|-----|------|-----------|-----|--------------------------|---------|-----|------|
| | | P | LTR | DESCRIPTION | DATE | DWN | APVD |
| G | 14 | | F | REDRAWN PER 0720-0470-95 | 23JAN95 | LO | ME |

| | | |
|--------------------------------|--------------------------------|--------------------------------|
| AMP WIRE RANGE | E13288 | LR7189 Certified |
| 16-14 AWG SOLID OR STRANDED | 16-14 AWG SOLID OR STRANDED | 16-14 AWG SOLID OR STRANDED |



1. STAMP AMP 16-14* LOCATE APPROX AS SHOWN

- 2. WIRE INSUL DIA, 2.67-3.81 [$.105-.150$]
- 3. TONGUE MATL THK, 0.79±0.05 [$.031 \pm .002$]

| | | |
|------|--------------|---------|
| - | - | - |
| 1000 | LOOSE PIECE | 32188 |
| QTY | PACKAGE TYPE | PART NO |

| | | | | | | | | |
|--|--|--|--|--|----------------------------|--|------------------------------|--|
| AMP INCORPORATED CUSTOMER SERVICE SYSTEM | | MAX RECOMMENDED OPERATING TEMPERATURE: 170°C [338°F] | THIS DRAWING IS A CONTROLLED DOCUMENT FOR AMP INCORPORATED. IT IS SUBJECT TO CHANGE AND THE CONTROLLING ENGINEERING ORGANIZATION SHOULD BE CONTACTED FOR THE LATEST REVISION. | | DWN L OLMEDA 23JAN95 | AMP AMP Incorporated Harrisburg, PA 17105-3608 | | |
| FOR ADDITIONAL PRODUCT INFORMATION OR COPIES OF DRAWINGS AND TECHNICAL DOCUMENTS | PRODUCT INFORMATION CENTER 1-800-522-6752 | | DIMENSIONS: mm [in] | TOLERANCES UNLESS OTHERWISE SPECIFIED: | CHK M ELLIS 23JAN95 | | APVD S BORTNER 23JAN95 | NAME TERMINAL, RING, DIAMOND GRIP, WIRE SIZE, 16-14 AWG |
| FOR APPLICATION TOOLING INFORMATION | TOOLING ASSISTANCE CENTER 1-800-722-1111 | VOLTAGE RATING: - | | 0 PLC ±- | 1 PLC ±- | 2 PLC ±0.20 [.008] | PRODUCT SPEC UL486A | |
| FOR ORDER ENTRY | 1-800-526-5142 | CIRCULAR MIL AREA: 1.04mm ² -2.62mm ² [2050-5180] | | 3 PLC ±- | 4 PLC ±- | ANGLES ±- | APPLICATION SPEC - | SIZE A3 |
| | | | MATERIAL BODY, CU, SLV, CU PER ASTM B152 | FINISH TIN PLATE PER MIL-T-10727 | WEIGHT - | CAGE CODE 00779 | DRAWING NO C-32188 | |
| | | | | | CUSTOMER DRAWING | SCALE 8:1 | SHEET 1 OF 1 | REV F |