



Chipsmall Limited consists of a professional team with an average of over 10 year of expertise in the distribution of electronic components. Based in Hongkong, we have already established firm and mutual-benefit business relationships with customers from,Europe,America and south Asia,supplying obsolete and hard-to-find components to meet their specific needs.

With the principle of “Quality Parts,Customers Priority,Honest Operation,and Considerate Service”,our business mainly focus on the distribution of electronic components. Line cards we deal with include Microchip,ALPS,ROHM,Xilinx,Pulse,ON,Everlight and Freescale. Main products comprise IC,Modules,Potentiometer,IC Socket,Relay,Connector.Our parts cover such applications as commercial,industrial, and automotives areas.

We are looking forward to setting up business relationship with you and hope to provide you with the best service and solution. Let us make a better world for our industry!



Contact us

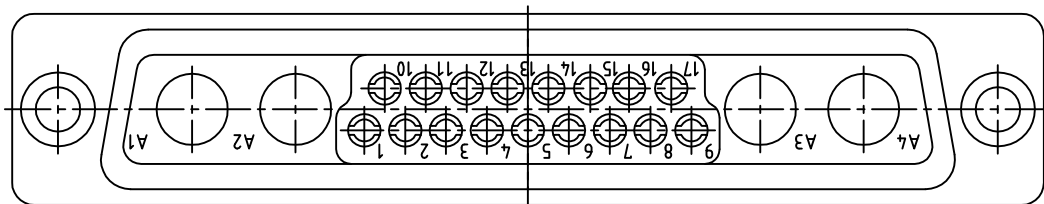
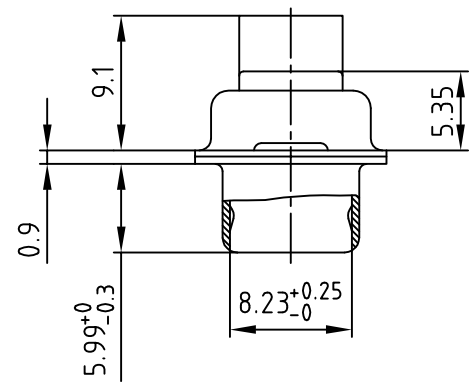
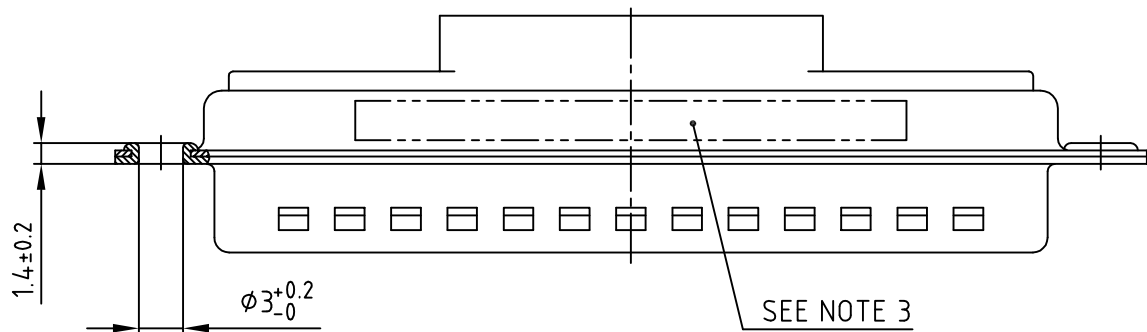
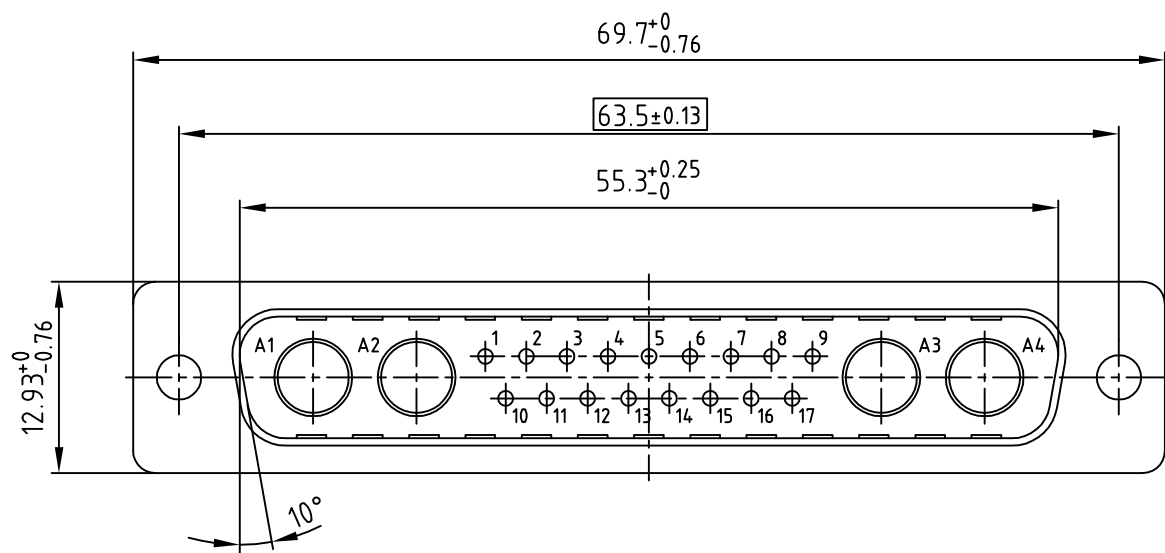
Tel: +86-755-8981 8866 Fax: +86-755-8427 6832

Email & Skype: info@chipsmall.com Web: www.chipsmall.com

Address: A1208, Overseas Decoration Building, #122 Zhenhua RD., Futian, Shenzhen, China



used for: D-SUB COMBINATION CRIMP



NOTES:

1. METALSHELLS: STEEL: TIN PLATED
2. INSULATORS: PBTP GF UL 94 V-0; BLACK
3. CONNECTOR IS PART MARKED: PART NO: CONEC Y/WW
4. = CRITICAL DIMENSION: SPC

THIS DRAWING MAY NOT BE COPIED OR REPRODUCED IN ANY WAY, AND MAY NOT BE PASSED ON TO A THIRD PARTY WITHOUT WRITTEN PERMISSION. OWNERSHIP AND COPYRIGHT OF CONEC GmbH DO NOT ALTER CAD DRAWING BY HAND				tolerance		scale: 2:1			
						material: SEE NOTES			
				1999	date	name	title: D-SUB COMBINATION MALE CRIMP STYLE 21WA4P		
				drawn	06.05.	Barcinski			
				appd.	06.05.	Mickenbecker	dwg no: AutoCAD/REL.14 DIN-A 3 sh:1/1		
				norm					
				d-old			part no: 321WA4P XK99A10X		
rev.	description	date	name						