



Chipsmall Limited consists of a professional team with an average of over 10 year of expertise in the distribution of electronic components. Based in Hongkong, we have already established firm and mutual-benefit business relationships with customers from,Europe,America and south Asia,supplying obsolete and hard-to-find components to meet their specific needs.

With the principle of “Quality Parts,Customers Priority,Honest Operation,and Considerate Service”,our business mainly focus on the distribution of electronic components. Line cards we deal with include Microchip,ALPS,ROHM,Xilinx,Pulse,ON,Everlight and Freescale. Main products comprise IC,Modules,Potentiometer,IC Socket,Relay,Connector.Our parts cover such applications as commercial,industrial, and automotives areas.

We are looking forward to setting up business relationship with you and hope to provide you with the best service and solution. Let us make a better world for our industry!



Contact us

Tel: +86-755-8981 8866 Fax: +86-755-8427 6832

Email & Skype: info@chipsmall.com Web: www.chipsmall.com

Address: A1208, Overseas Decoration Building, #122 Zhenhua RD., Futian, Shenzhen, China



INTERCONNECTS

SERIES 321, 322, 323, 324 • .100" GRID WRAPOST • SINGLE ROW STRIPS

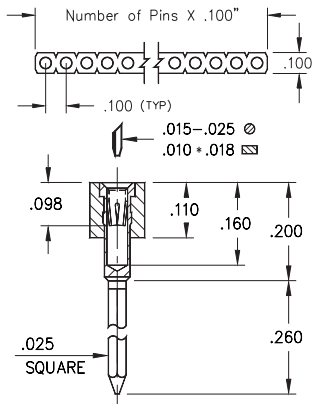


FIG. 1

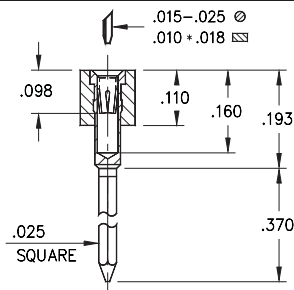


FIG. 2

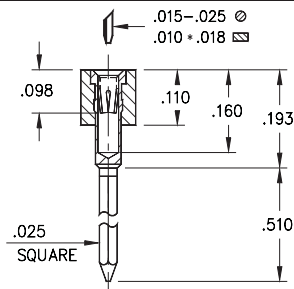


FIG. 3

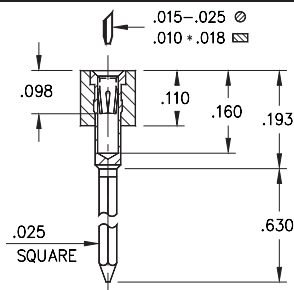


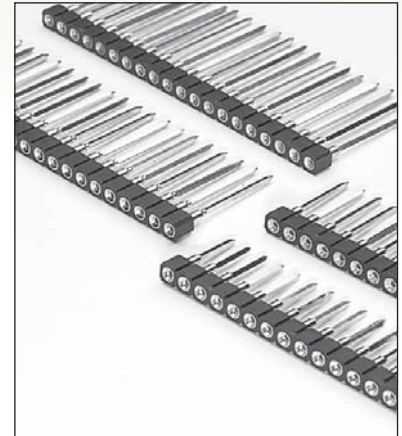
FIG. 4

- Wraposts available in 1 - 4 levels using MM pin numbers:

- 1-Level uses pin # 0040-1
 - 2-Level uses pin # 0089-2
 - 3-Level uses pin # 0088-3
 - 4-Level uses pin # 0086-4
- See page 198 for details

- Hi-Rel, 4-finger BeCu #30 contact is rated at 3 amps. See page 253 for details

- Insulators are high temperature thermoplastic, suitable for all soldering operations



ORDERING INFORMATION

	Series 321...001	1 Level Wrapost
FIG. 1	321-13-1	-41-001000 ↑ Specify number of pins 01-64
	Series 322...001	2 Level Wrapost
FIG. 2	322-XX-1	-41-001000 ↑ Specify number of pins 01-64
	Series 323...001	3 Level Wrapost
FIG. 3	323-XX-1	-41-001000 ↑ Specify number of pins 01-64
	Series 324...002	4 Level Wrapost
FIG. 4	324-XX-1	-41-002000 ↑ Specify number of pins 01-64



XX=Plating Code
See Below

For
Electrical, Mechanical
& Environmental Data,
See page 264

SPECIFY PLATING CODE XX=	11	13	91	93	41	43
Sleeve (Pin)	10 μ" Au	10 μ" Au	200 μ" Sn/Pb	200 μ" Sn/Pb	200 μ" Sn	200 μ" Sn
Contact (Clip)	10 μ" Au	30 μ" Au	10 μ" Au	30 μ" Au	10 μ" Au	30 μ" Au

