



Chipsmall Limited consists of a professional team with an average of over 10 year of expertise in the distribution of electronic components. Based in Hongkong, we have already established firm and mutual-benefit business relationships with customers from,Europe,America and south Asia,supplying obsolete and hard-to-find components to meet their specific needs.

With the principle of “Quality Parts,Customers Priority,Honest Operation,and Considerate Service”,our business mainly focus on the distribution of electronic components. Line cards we deal with include Microchip,ALPS,ROHM,Xilinx,Pulse,ON,Everlight and Freescale. Main products comprise IC,Modules,Potentiometer,IC Socket,Relay,Connector.Our parts cover such applications as commercial,industrial, and automotives areas.

We are looking forward to setting up business relationship with you and hope to provide you with the best service and solution. Let us make a better world for our industry!



## Contact us

Tel: +86-755-8981 8866 Fax: +86-755-8427 6832

Email & Skype: info@chipsmall.com Web: www.chipsmall.com

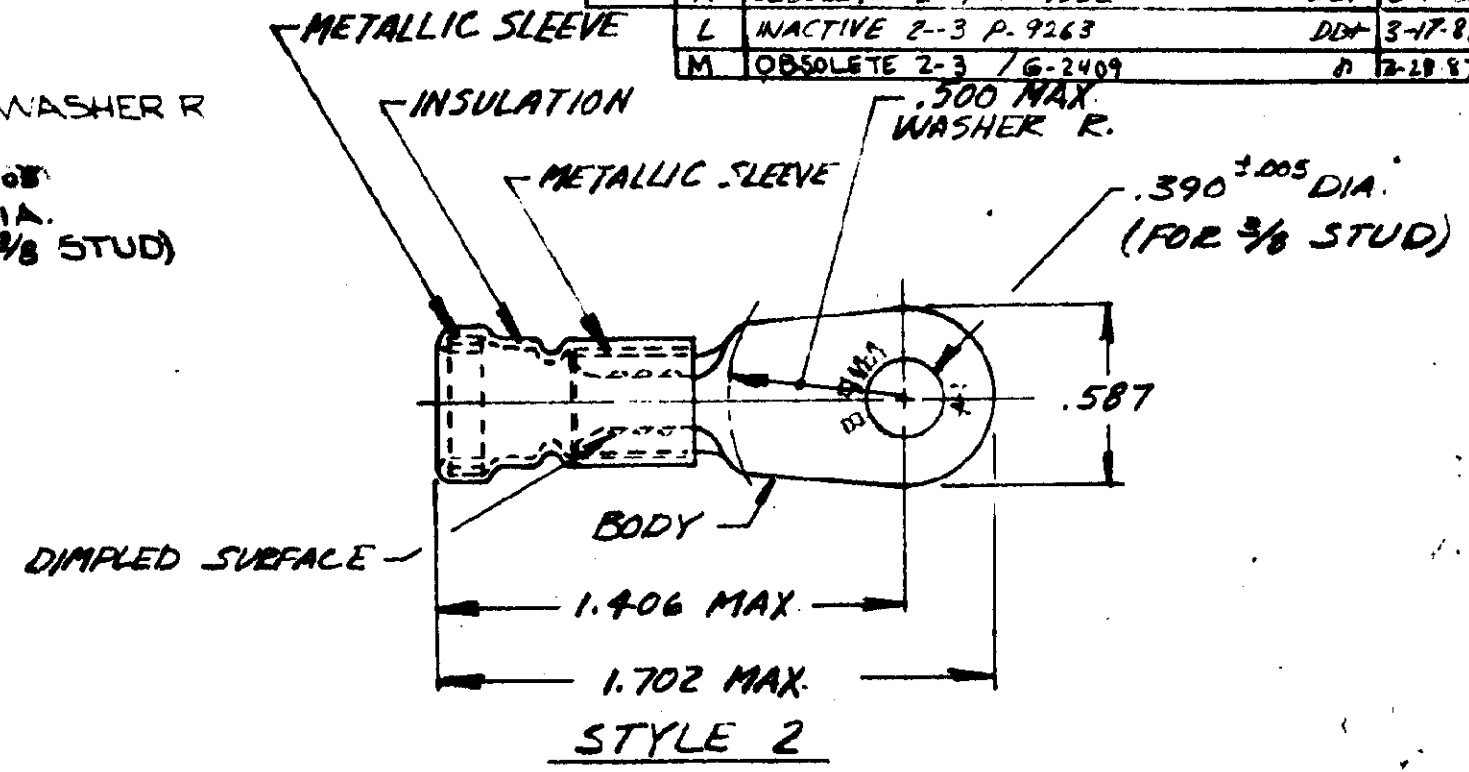
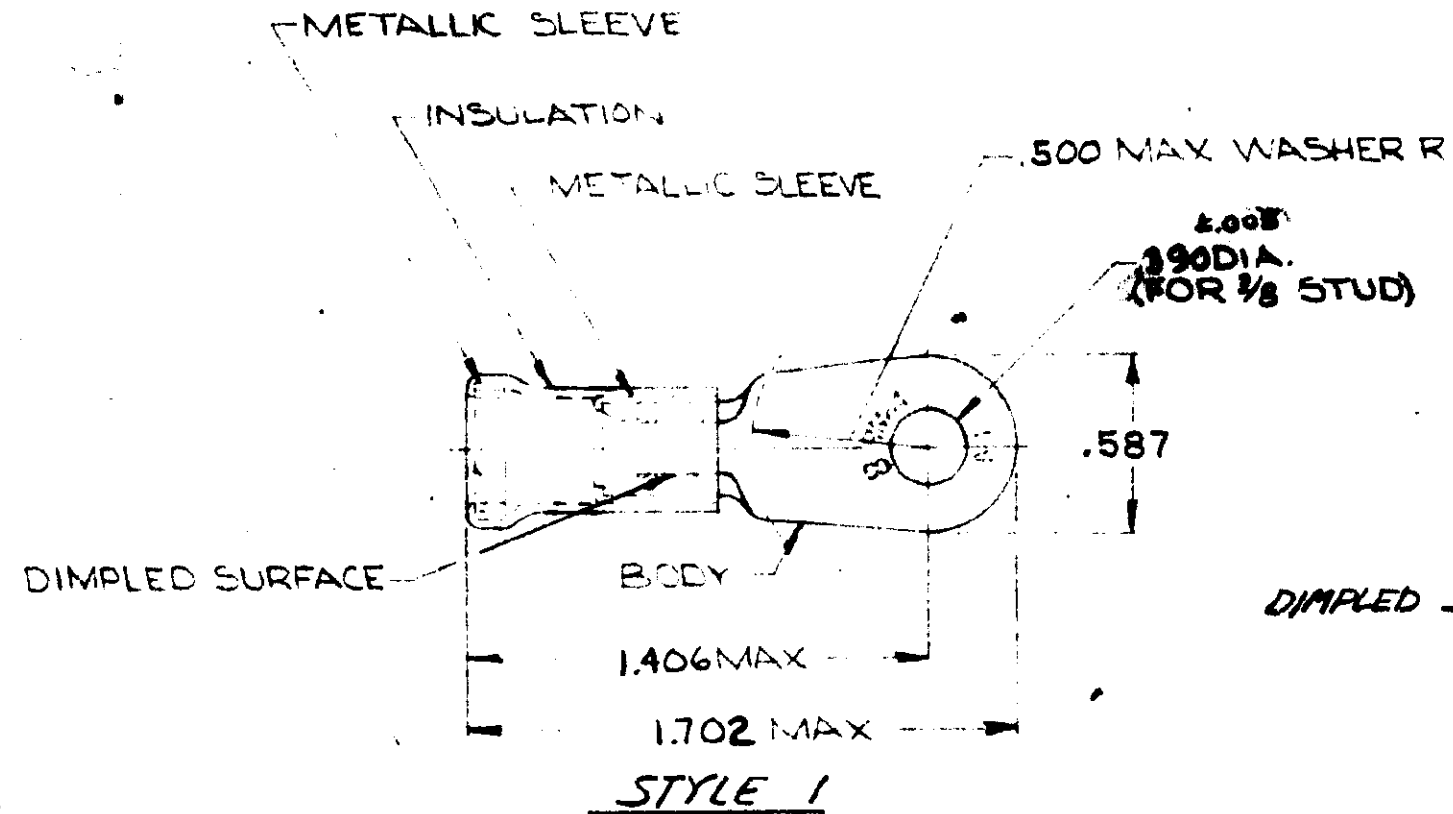
Address: A1208, Overseas Decoration Building, #122 Zhenhua RD., Futian, Shenzhen, China



© 1953 BY AMP INCORPORATED. ALL RIGHTS RESERVED. AMP PRODUCTS COVERED BY PATENTS AND/OR PATENTS PENDING.

N REV G-4680 TMS 5-6-88 JT

ZONE	LTR	DESCRIPTION	DATE	APPROVED
G		REDRAWN & REVISED PG5563	1-6-70	JWA
H		REV. PER ECN P-7000	EB	4/9/71
J		REV PER P-8347	REB	9/6/79
K		OBSOLETE 2-1 P-9222	DDT	3-1-82
L		INACTIVE 2-3 P-9263	DDT	3-17-82
M		OBSOLETE 2-3 / G-2409	D	2-28-87



TONGUE MATERIAL THICKNESS = .040<sup>±.003</sup>  
FOR 'A' MAX WIRE INS DIA

TABLE I

1	WIRE TERMINAL	322004	BODY: COPPER (QQ-C-576) FINISH: (SEE TABLE II) INSULATION: PVC COLOR: RED METALLIC SLEEVE: COPPER (QQ-C-576) METALLIC BAND: STEEL (QQ-S-698) (ASTM A109)
QTY	DESCRIPTION	PART NO.	MATERIAL & FINISH

UNLESS OTHERWISE SPECIFIED DIMENSIONS ARE IN INCHES TOLERANCES ON DECIMALS: .008 ANGLES: 1:50		CONTRACT NO. 114-69		AMP	AMP INCORPORATED HARRISBURG, PENNSYLVANIA	
MATERIAL: SEE TABLE I		DR. J. Rantz 1-6-70			NAME: WIRE TERMINAL	
		APPD. Swibel 1-7-70		AMPLI-BOND - RING TONGUE		
		REL. Am Engr 1-9-70		WIRE SIZE: 8		
		DSGN APPD.		SIZE: B	COOL IDENT NO.: 00779	NUMBER: 322004
		OTHER APPD.		SCALE: NTS	SHEET 1 OF 1	

2-322004-2	TIN PL (MIL-T-10727)	.377		1
<del>322004-1</del>	GOLD PL (MIL-G-45204) TYPE II 00005 MIN EXT THK OVER NICKEL PL (QQ-N-290) 00003 MIN EXT THK.	<del>.298</del>	<del>322004-1</del>	<del>1</del>
322004	TIN PL (MIL-T-10727)	.298	<del>322004-2</del>	2
PART NO.	FINISH	"A"	PART NO ON TAPE	STYLE