



Chipsmall Limited consists of a professional team with an average of over 10 year of expertise in the distribution of electronic components. Based in Hongkong, we have already established firm and mutual-benefit business relationships with customers from,Europe,America and south Asia,supplying obsolete and hard-to-find components to meet their specific needs.

With the principle of "Quality Parts,Customers Priority,Honest Operation,and Considerate Service",our business mainly focus on the distribution of electronic components. Line cards we deal with include Microchip,ALPS,ROHM,Xilinx,Pulse,ON,Everlight and Freescale. Main products comprise IC,Modules,Potentiometer,IC Socket,Relay,Connector.Our parts cover such applications as commercial,industrial, and automotives areas.

We are looking forward to setting up business relationship with you and hope to provide you with the best service and solution. Let us make a better world for our industry!



## Contact us

Tel: +86-755-8981 8866 Fax: +86-755-8427 6832

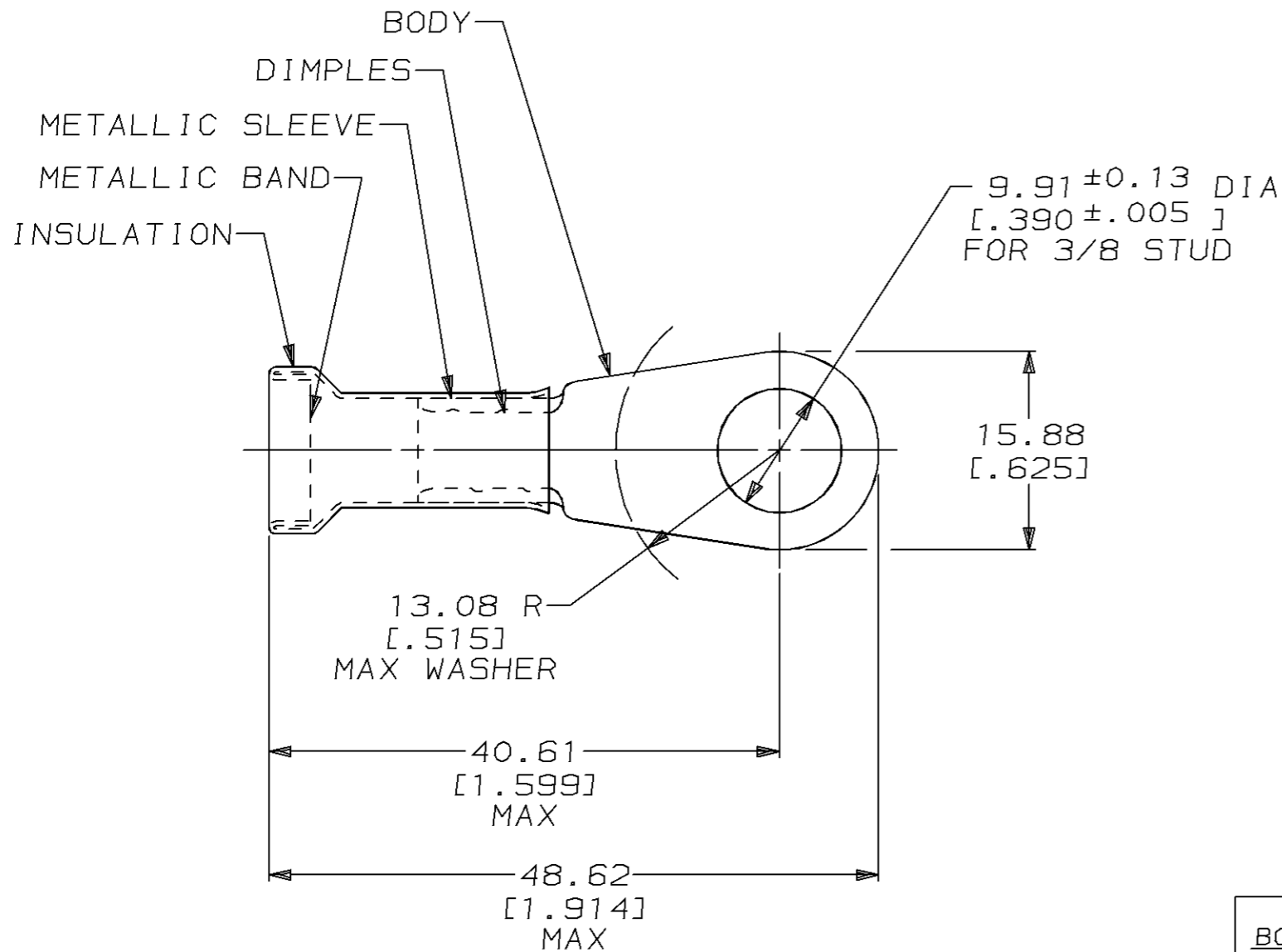
Email & Skype: info@chipsmall.com Web: www.chipsmall.com

Address: A1208, Overseas Decoration Building, #122 Zhenhua RD., Futian, Shenzhen, China



THIS DRAWING IS UNPUBLISHED. RELEASED FOR PUBLICATION, 19 .  
 © COPYRIGHT 19 BY AMP INCORPORATED. ALL RIGHTS RESERVED.

LOC	DIST	REVISIONS				
P	LTR	DESCRIPTION	DATE	DWN	APVD	
G	14	J	REVISED & REDRAWN PER 0L20-0086-96	28OCT96	DKS	DMS



- ① TIN PL 0.00254 [0.000100] MIN THK PER MIL-T-10727
- ② GOLD PL 0.00127 [0.000050] MIN EXT THK PER MIL-G-45204 OVER NICKEL PL 0.00762 [0.000030] MIN EXT THK PER QQ-N-290
- ③ TAPE MOUNTED
- 4 WIRE INSULATION: 9.58 [0.377] MAX DIA
- 5 MATERIAL THK: 1.14 ± 0.08 [0.045 ± 0.003]

<u>BODY:</u> COPPER PER ASTM B-152 ANNEALED	③ 2-322007-2 ①
<u>INSULATION:</u> PVC <u>COLOR:</u> BLUE	
<u>METALLIC SLEEVE:</u> COPPER PER ASTM B-152 ANNEALED	<del>2-322007-1</del> ②
<u>METALLIC BAND:</u> STEEL PER ASTM A-109	
TIN PL 0.00254 [0.000100] MIN THK PER MIL-T-10727	322007 ①
MATERIAL & FINISH	AMP PART NUMBER

**AMP INCORPORATED**  
**CUSTOMER SERVICE SYSTEMS**

FOR ADDITIONAL PRODUCT INFORMATION OR COPIES OF DRAWINGS AND TECHNICAL DOCUMENTS	PRODUCT INFORMATION CENTER 1-800-522-6752	RECOMMENDED OPERATING TEMPERATURE: 105°C MAX
FOR APPLICATION TOOLING INFORMATION	TOOLING ASSISTANCE CENTER 1-800-722-1111	VOLTAGE RATING: NOT APPLICABLE
FOR ORDER ENTRY	1-800-526-5142	WIRE CROSS SECTIONAL AREA RANGE: 10.5-16.8mm <sup>2</sup> [20,800-33,100] CIR MILS SOLID OR STRANDED

THIS DRAWING IS A CONTROLLED DOCUMENT.

DIMENSIONS: mm [INCHES]	TOLERANCES UNLESS OTHERWISE SPECIFIED:	DWN DK SCHRUM 28OCT96	AMP Incorporated Harrisburg, PA 17105-3608
	0 PLC ±-	CHK DM SWARTZ 29OCT96	
	1 PLC ±-	APVD JL MECKLEY 29OCT96	
	2 PLC ±0.20 [0.008]	PRODUCT SPEC	
	3 PLC ±-	APPLICATION SPEC	NAME TERMINAL ASSEMBLY, RING TONGUE, AMPLI-BOND™, WIRE SIZE: 6 AWG
	4 PLC ±-	WEIGHT	SIZE A3
	ANGLES ±-	CUSTOMER DRAWING	CAGE CODE 00779
MATERIAL SEE TABLE	FINISH SEE TABLE		DRAWING NO C-322007
			SCALE 2:1
			SHEET 1 OF 1
			REV J