



Chipsmall Limited consists of a professional team with an average of over 10 year of expertise in the distribution of electronic components. Based in Hongkong, we have already established firm and mutual-benefit business relationships with customers from,Europe,America and south Asia,supplying obsolete and hard-to-find components to meet their specific needs.

With the principle of “Quality Parts,Customers Priority,Honest Operation,and Considerate Service”,our business mainly focus on the distribution of electronic components. Line cards we deal with include Microchip,ALPS,ROHM,Xilinx,Pulse,ON,Everlight and Freescale. Main products comprise IC,Modules,Potentiometer,IC Socket,Relay,Connector.Our parts cover such applications as commercial,industrial, and automotives areas.

We are looking forward to setting up business relationship with you and hope to provide you with the best service and solution. Let us make a better world for our industry!



Contact us

Tel: +86-755-8981 8866 Fax: +86-755-8427 6832

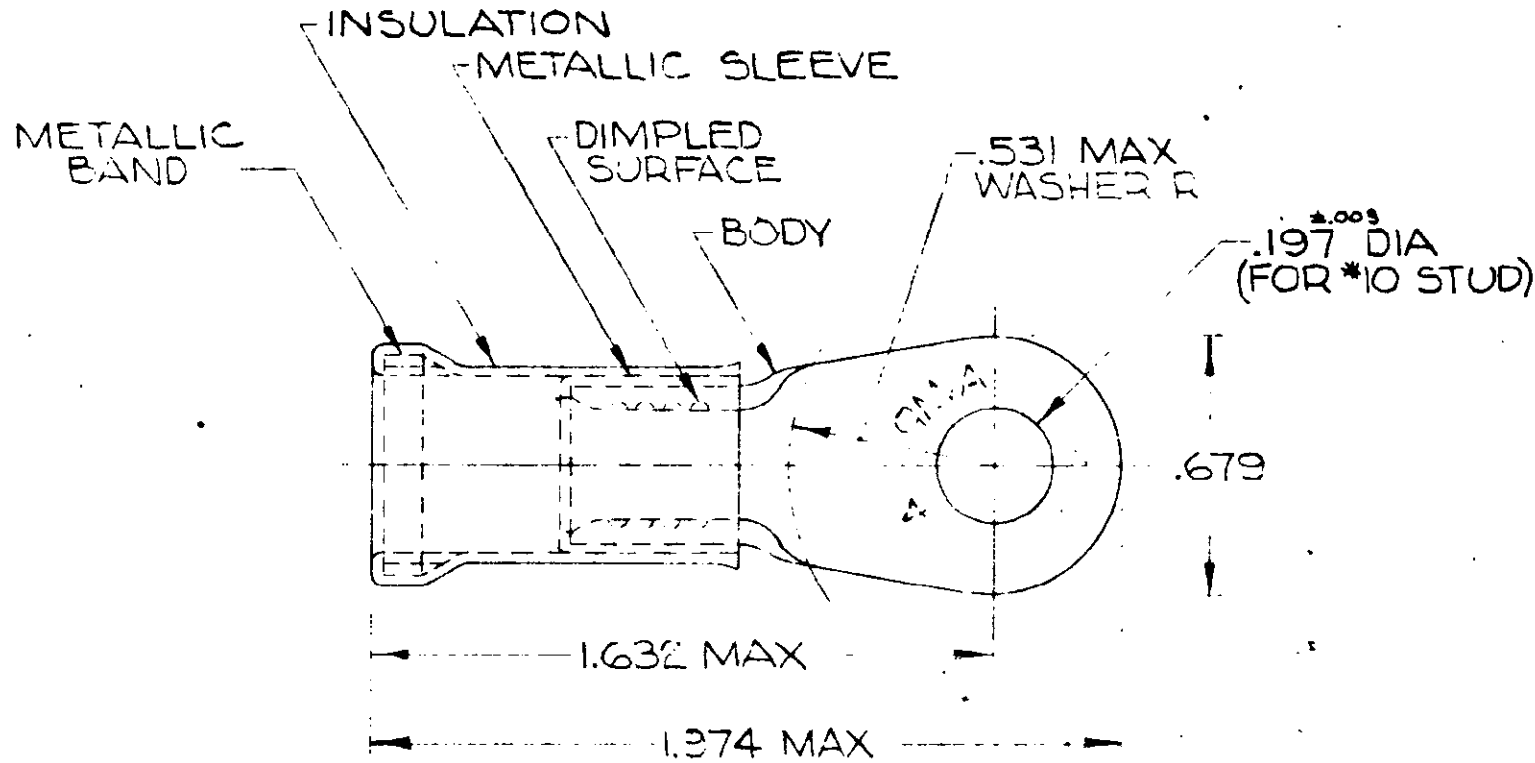
Email & Skype: info@chipsmall.com Web: www.chipsmall.com

Address: A1208, Overseas Decoration Building, #122 Zhenhua RD., Futian, Shenzhen, China



© 1953 BY AMP INCORPORATED. ALL RIGHTS RESERVED. AMP PRODUCTS COVERED BY PATENTS AND/OR PATENTS PENDING.

REVISIONS				
ZONE	LTR	DESCRIPTION	DATE	APPROVED
	B	REDRAWN & UPDATED	FY 8-14-69	Jme
	C	REVISED PER ECN P-7000	8/10/78	HTM
	D	OBsolete 1--0 G-25B1	7mF 2/16/88	MSF
	E	REV PER G-4680	JT 7/27/88	JT
	F	REV / 0720-0199-94	LO 8/2/94	me



FOR .436 MAX WIRE INSULATION DIA.
TONGUE MATERIAL THK = .048 ± .003

OBsolete		322009		1-322009-0	
		ON TAPE			
1	WIRE TERMINAL	322009	METALLIC BAND: STEEL 89-5-698 (ASTM A109) INSULATION: YELLOW PVC METALLIC SLEEVE: COPPER (QQ-C-576) BODY: COPPER (QQ-C-576) TIN PL (MIL-T-10727)		
QTY	DESCRIPTION	PART NO.	MATERIAL & FINISH		
UNLESS OTHERWISE SPECIFIED DIMENSIONS ARE IN INCHES			CONTRACT NO. 4		
TOLERANCES ON:			DR. 8-12-69		
DECIMALS ±.008			CHKD. 8-14-69		
ANGLES ± 5°			APPD. 8-15-69		
MATERIAL			REL. 8-15-69		
SEE TABLE			DSGN APPD.		
			OTHER APPD.		
AMP		AMP INCORPORATED HARRISBURG, PENNSYLVANIA			
NAME: WIRE TERMINAL AMRLI-BOND-RING TONGUE WIRE SIZE: 4					
SIZE	CODE IDENT NO.	NUMBER			
B	00779	322009			
SCALE 2:1		SHEET 1 OF 1			