



Chipsmall Limited consists of a professional team with an average of over 10 year of expertise in the distribution of electronic components. Based in Hongkong, we have already established firm and mutual-benefit business relationships with customers from,Europe,America and south Asia,supplying obsolete and hard-to-find components to meet their specific needs.

With the principle of "Quality Parts,Customers Priority,Honest Operation,and Considerate Service",our business mainly focus on the distribution of electronic components. Line cards we deal with include Microchip,ALPS,ROHM,Xilinx,Pulse,ON,Everlight and Freescale. Main products comprise IC,Modules,Potentiometer,IC Socket,Relay,Connector.Our parts cover such applications as commercial,industrial, and automotives areas.

We are looking forward to setting up business relationship with you and hope to provide you with the best service and solution. Let us make a better world for our industry!



Contact us

Tel: +86-755-8981 8866 Fax: +86-755-8427 6832

Email & Skype: info@chipsmall.com Web: www.chipsmall.com

Address: A1208, Overseas Decoration Building, #122 Zhenhua RD., Futian, Shenzhen, China



Platinum Resistance Temperature Detector

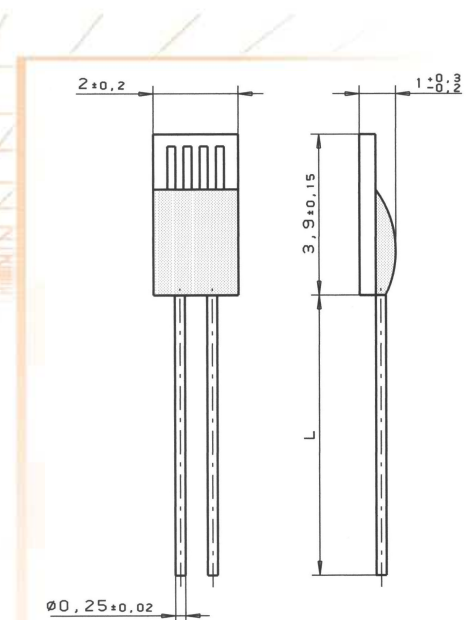
L 420

L series PRTDs are designed for large volume applications where long term stability, interchangeability and accuracy over a large temperature range are vital. Typical applications are Automotive, White goods, HVAC, Energy management, Medical and Industrial equipment.

Nominal Resistance R0	Tolerance DIN EN 60751 1996-07	Tolerance DIN EN 60751 2009-05	Order Number Plastic Bag
100 Ohm at 0°C	Class B	F 0.3	32 207 702
500 Ohm at 0°C	Class B	F 0.3	32 207 703
1000 Ohm at 0°C	Class 1/3 B	F 0.1	32 207 587
	Class A	F 0.15	32 207 582
	Class B	F 0.3	32 207 704

The measuring point for the nominal resistance is defined at 8mm from the end of the sensor body.

Specification	DIN EN 60751 (according to IEC 751)	
Temperature range	-50°C to + 400°C (continuous operation) Tolerance Class B: -50°C to +400°C Tolerance Class A: -50°C to +300°C Tolerance Class 1/3 B: 0°C to +150°C	
Temperature coefficient	TCR = 3850 ppm/K	
Leads	AgPd- wire	
Lead lengths (L)	10mm ±1mm	
Long-term stability	max. R0-drift 0.04% after 1000h at 400°C	
Vibration resistance	at least 40g acceleration at 10 to 2000 Hz, depends on installation	
Shock resistance	at least 100g acceleration with 8ms half sine wave, depends on installation	
Environmental conditions	unhoused for dry environments only	
Insulation resistance	> 100 MΩ at 20°C; > 2 MΩ at 500°C	
Self heating	0.3 K/mW at 0°C	
Response time	water current (v= 0.4m/s):	t _{0.5} = 0.08s t _{0.9} = 0.25s
	air stream (v= 2m/s):	t _{0.5} = 3.5s t _{0.9} = 15.0s
Measuring current	100Ω: 0.3 bis 1.0 mA 500Ω: 0.1 bis 0.7 mA 1000Ω: 0.1 bis 0.3 mA (self heating has to be considered)	
Note	Other tolerances, values of resistance and wire lengths are available on request.	



We reserve the right to make alterations and technical data printed. All technical data serves as a guideline and does not guarantee particular properties to any products.

Heraeus Sensor Technology USA

770 Township Line Road, Suite 300
Yardley, PA 19067 USA
Phone 1-215-944-9010 Fax 1-215-944-9392
Email info.hst-us@heraeus.com
www.hst-us.com

Name of document: 30910008 Index A
Status: 06/2016