



Chipsmall Limited consists of a professional team with an average of over 10 year of expertise in the distribution of electronic components. Based in Hongkong, we have already established firm and mutual-benefit business relationships with customers from,Europe,America and south Asia,supplying obsolete and hard-to-find components to meet their specific needs.

With the principle of “Quality Parts,Customers Priority,Honest Operation,and Considerate Service”,our business mainly focus on the distribution of electronic components. Line cards we deal with include Microchip,ALPS,ROHM,Xilinx,Pulse,ON,Everlight and Freescale. Main products comprise IC,Modules,Potentiometer,IC Socket,Relay,Connector.Our parts cover such applications as commercial,industrial, and automotives areas.

We are looking forward to setting up business relationship with you and hope to provide you with the best service and solution. Let us make a better world for our industry!



Contact us

Tel: +86-755-8981 8866 Fax: +86-755-8427 6832

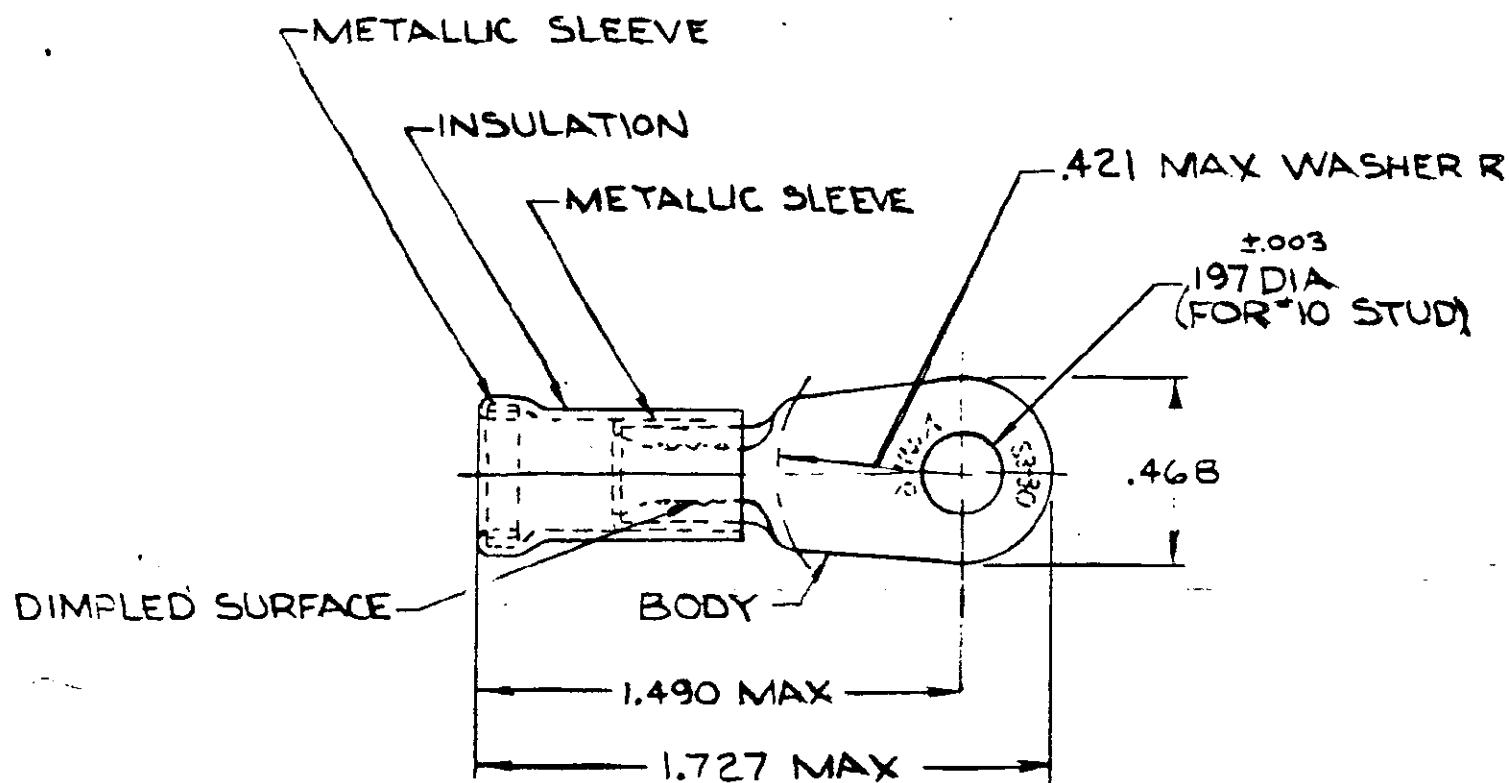
Email & Skype: info@chipsmall.com Web: www.chipsmall.com

Address: A1208, Overseas Decoration Building, #122 Zhenhua RD., Futian, Shenzhen, China



© 1954 BY AMP INCORPORATED. ALL RIGHTS RESERVED. AMP PRODUCTS COVERED BY PATENTS AND/OR PATENTS PENDING.

REVISIONS				
QTY	REV	DESCRIPTION	DATE	APPROVED
	H	REDRAWN & REVISED P-5563	1-6-70	<i>Jma</i>
	J	INACTIVATED 2-322153-1 P-9263 DOR	3-17-82	DJM
	K	2-1 OBSOLETE G-0472 DAP	4/87	<i>gjm</i>
	L	REV. G-4680 TRS	5-9-88	JT
	M	REV PER 0720-0756-95	9/21/95	DKS/DMS



TONGUE MATERIAL THICKNESS = .045 ±.003
FOR .377 MAX WIRE INS DIA

TABLE I


1	WIRE TERMINAL	SEE TABLE II	BODY: COPPER PER ASTM B-152		
			FINISH: (SEE TABLE II)		
			INSULATION: PVC COLOR: BLUE		
			METALLIC SLEEVE: COPPER (QQ-C576)		
			METALLIC BAND: STEEL QQ-S-698 (ASTM A109)		
QTY	DESCRIPTION	PART NO.	MATERIAL & FINISH		
SEE TABLE I			 AMP INCORPORATED HARRISBURG, PENNSYLVANIA		
SEE TABLE I			WIRE TERMINAL AMPLI-BOND - RING TONGUE WIRE SIZE 6		
SIZE	CODE IDENT NO.	NUMBER	B 00779 322153		
SCALE: NTD			SHEET 1 OF 1		

TABLE II

PART NO.	FINISH
2-322153-1	GOLD PL (MIL-G-45204) TYPE II .00005 MIN. EXT. THK. OVER NICKEL PL (QQ-N-290).00003 MIN. EXT. THK.
322153	TIN PL (MIL-T-10727)