



Chipsmall Limited consists of a professional team with an average of over 10 year of expertise in the distribution of electronic components. Based in Hongkong, we have already established firm and mutual-benefit business relationships with customers from,Europe,America and south Asia,supplying obsolete and hard-to-find components to meet their specific needs.

With the principle of “Quality Parts,Customers Priority,Honest Operation,and Considerate Service”,our business mainly focus on the distribution of electronic components. Line cards we deal with include Microchip,ALPS,ROHM,Xilinx,Pulse,ON,Everlight and Freescale. Main products comprise IC,Modules,Potentiometer,IC Socket,Relay,Connector.Our parts cover such applications as commercial,industrial, and automotives areas.

We are looking forward to setting up business relationship with you and hope to provide you with the best service and solution. Let us make a better world for our industry!



## Contact us

Tel: +86-755-8981 8866 Fax: +86-755-8427 6832

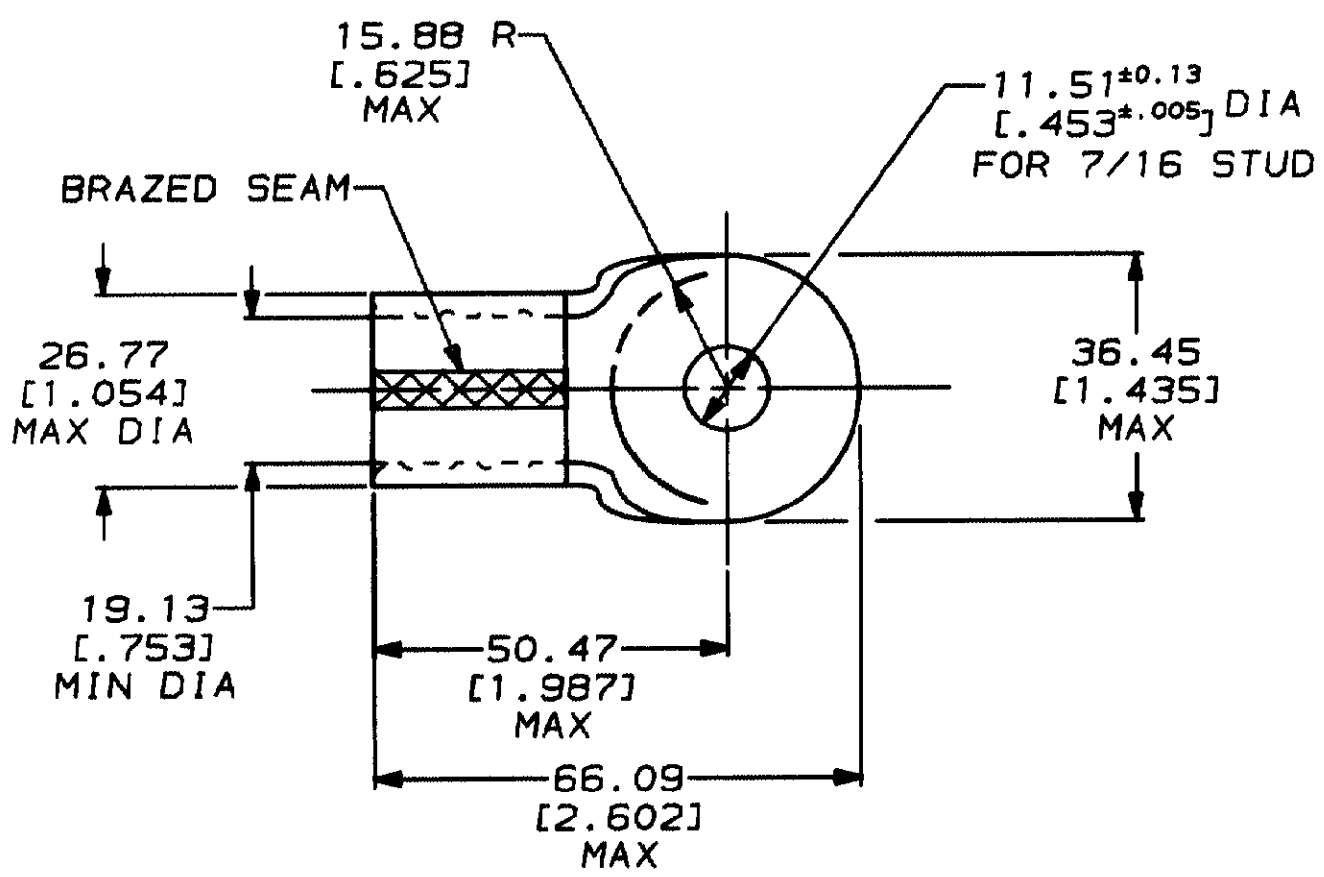
Email & Skype: info@chipsmall.com Web: www.chipsmall.com

Address: A1208, Overseas Decoration Building, #122 Zhenhua RD., Futian, Shenzhen, China



LOC	DIST	P	F	LTR	DESCRIPTION	DATE	APPROVED
G	14			D	REVISED & REDRAWN PER G-5803	6/12/92	DKS / AJK

THIS DRAWING IS UNPUBLISHED. RELEASED FOR PUBLICATION BY AMP INCORPORATED. ALL INTERNATIONAL RIGHTS RESERVED. © COPYRIGHT 19



322253  
PART NO

DO NOT SCALE PRINT. UNLESS SPECIFIED DIMENSIONS IN mm (IN) TOLERANCES ON: 2 PLC DEC ± 0.20(.008) 3 PLC DEC ± - ANGLES ± -	DR 6/12/92 DK SCHRUM	<b>AMP</b> AMP Incorporated Harrisburg, PA 17105-3608
	CHK 6/26/92 RD HEIM	
MATERIAL COPPER ASTM B-152 ANNEALED	APPD 6/26/92 AJ KAUFMAN	NAME TERMINAL, RING TONGUE, SOLISTRAND™ WIRE SIZE: 127.0-152.0mm <sup>2</sup> [250-300] MCM
	APPD 6/26/92 CR RHODAS	
FINISH TIN PLATE 0.00254 [.0001007] MIN THK PER MIL-T-10727	PRODUCT SPEC -	SIZE <b>A</b>
APPLICATION SPEC -	WEIGHT -	CAGE CODE 00779
		DRAWING NO <b>C-322253</b>
		SCALE 1:1
		SHEET 1 of 1