



Chipsmall Limited consists of a professional team with an average of over 10 year of expertise in the distribution of electronic components. Based in Hongkong, we have already established firm and mutual-benefit business relationships with customers from,Europe,America and south Asia,supplying obsolete and hard-to-find components to meet their specific needs.

With the principle of "Quality Parts,Customers Priority,Honest Operation,and Considerate Service",our business mainly focus on the distribution of electronic components. Line cards we deal with include Microchip,ALPS,ROHM,Xilinx,Pulse,ON,Everlight and Freescale. Main products comprise IC,Modules,Potentiometer,IC Socket,Relay,Connector.Our parts cover such applications as commercial,industrial, and automotives areas.

We are looking forward to setting up business relationship with you and hope to provide you with the best service and solution. Let us make a better world for our industry!



## Contact us

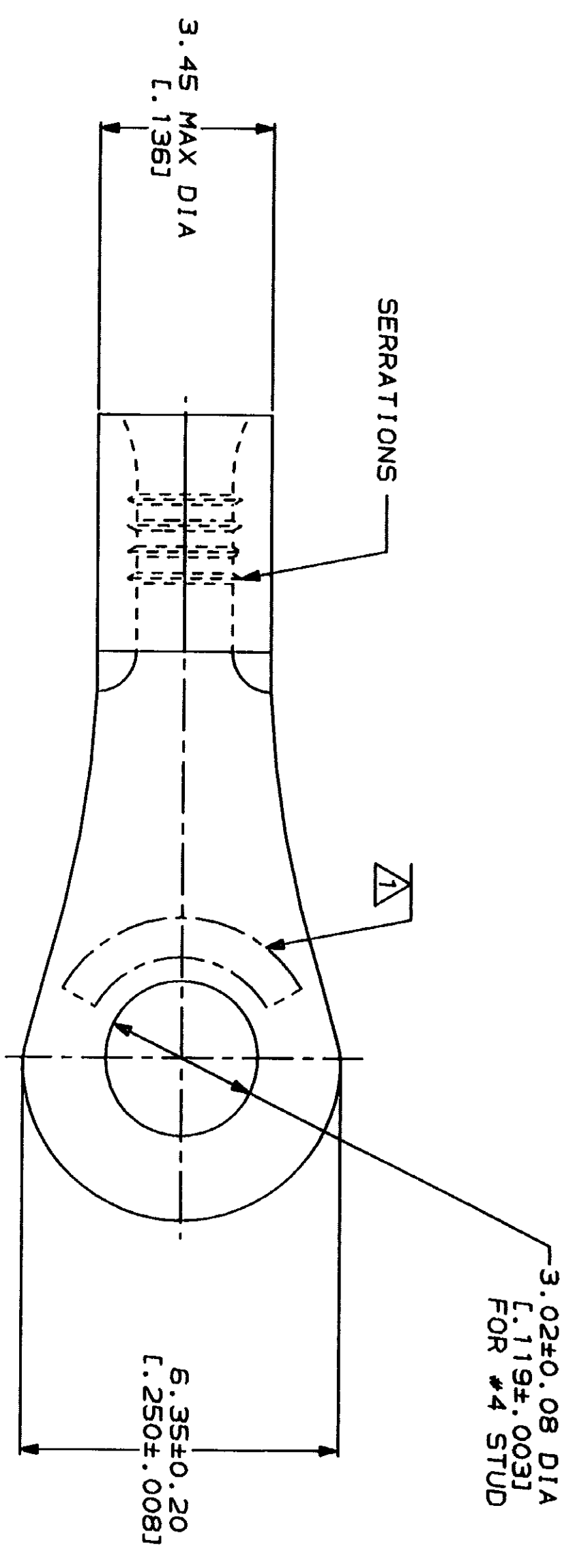
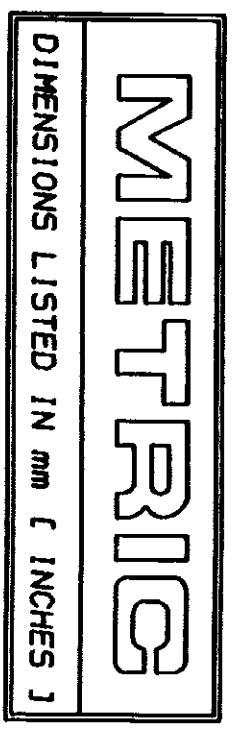
Tel: +86-755-8981 8866 Fax: +86-755-8427 6832

Email & Skype: info@chipsmall.com Web: www.chipsmall.com

Address: A1208, Overseas Decoration Building, #122 Zhenhua RD., Futian, Shenzhen, China

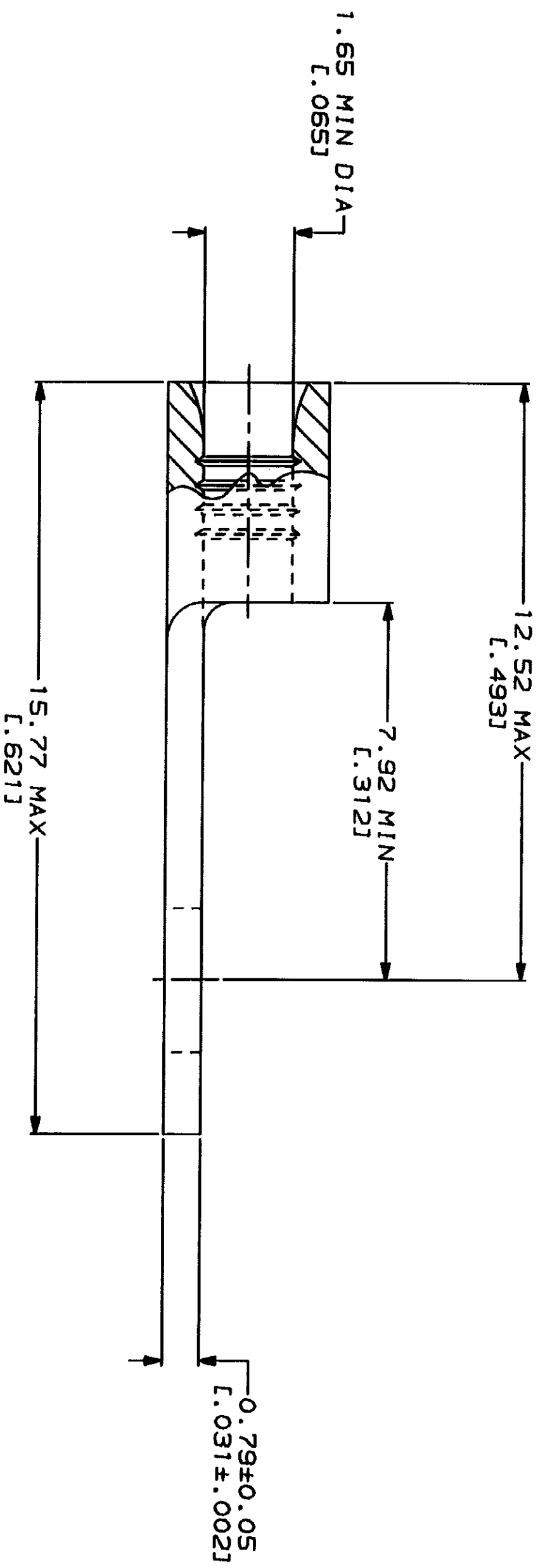


LOC	DIST	REV	DATE	APPD
G	14			
ZONE		LTR	DESCRIPTION	DATE
B			REVISED PER 0720-0230-93	2/28/94



<b>AMP</b> WIRE RANGE	<b>UL</b> E13288 Listed
22-16 AWG STRANDED	22-16 AWG STRANDED
● LR7189 Certified	MILITARY P/N AND CLASS
NOT CERTIFIED	NOT APPLICABLE

⚠ STAMP AMP 22-18\* APPROX AS SHOWN  
 22-16 TERMINALS ARE STAMPED 22-18 IN  
 ACCORDANCE WITH MILITARY SPECIFICATION  
 MIL-T-7928, COMMERCIAL WIRE RANGE IS 22-16



AMP INCORPORATED CUSTOMER SERVICE SYSTEMS		MAX RECOMMENDED OPERATING TEMPERATURE: 170°C MAX	
FOR ADDITIONAL PRODUCT INFORMATION OR COPIES OF DRAWINGS AND TECHNICAL DOCUMENTS	PRODUCT INFORMATION CENTER 1-800-522-6752	VOLTAGE RATING: NOT APPLICABLE	
FOR APPLICATION TOOLING INFORMATION	TOOLING ASSISTANCE CENTER 1-800-722-1111	WIRE CROSS SECTIONAL AREA RANGE: 0.26-1.65mm <sup>2</sup> [509-3,260] CIR MILS STRANDED	
FOR ORDER ENTRY	1-800-526-5142	THIS DRAWING IS A GENERALIZATION FOR INFORMATION ONLY. IT IS NOT TO BE USED FOR CONSTRUCTION OF PARTS OR ASSEMBLIES WITHOUT CONSULTATION WITH THE DESIGN ENGINEER.	

DO NOT SCALE PRINT. UNLESS SPECIFIED DIMENSIONS IN MILLIMETERS—TOLERANCES ON: 1. PLG DEC # 2. PLG DEC # 3. PLG DEC # ANGLES		DR 2-3-93 TA BRINKMAN	AMP Incorporated Harrisburg, PA 17105-3608
MATERIAL: COPPER PER ASTM B-152 ANNEALED		CHK 2-3-93 DA PATTERSON	
FINISH: TIN PLATE 0.00254[L.000100] MIN THK PER MIL-T-10727		APPD 2-3-93 DE HILLER	NAME: TERMINAL, RING TONGUE, BUDGET SIZE: CAGE CODE 00779 DRAWING NO. 322418 SCALE: 10:1 SHEET 1 OF 1
APPLICATION SPEC		APPD 2-3-93 JL HECKLEY	