



Chipsmall Limited consists of a professional team with an average of over 10 year of expertise in the distribution of electronic components. Based in Hongkong, we have already established firm and mutual-benefit business relationships with customers from,Europe,America and south Asia,supplying obsolete and hard-to-find components to meet their specific needs.

With the principle of “Quality Parts,Customers Priority,Honest Operation,and Considerate Service”,our business mainly focus on the distribution of electronic components. Line cards we deal with include Microchip,ALPS,ROHM,Xilinx,Pulse,ON,Everlight and Freescale. Main products comprise IC,Modules,Potentiometer,IC Socket,Relay,Connector.Our parts cover such applications as commercial,industrial, and automotives areas.

We are looking forward to setting up business relationship with you and hope to provide you with the best service and solution. Let us make a better world for our industry!



## Contact us

Tel: +86-755-8981 8866 Fax: +86-755-8427 6832

Email & Skype: info@chipsmall.com Web: www.chipsmall.com

Address: A1208, Overseas Decoration Building, #122 Zhenhua RD., Futian, Shenzhen, China



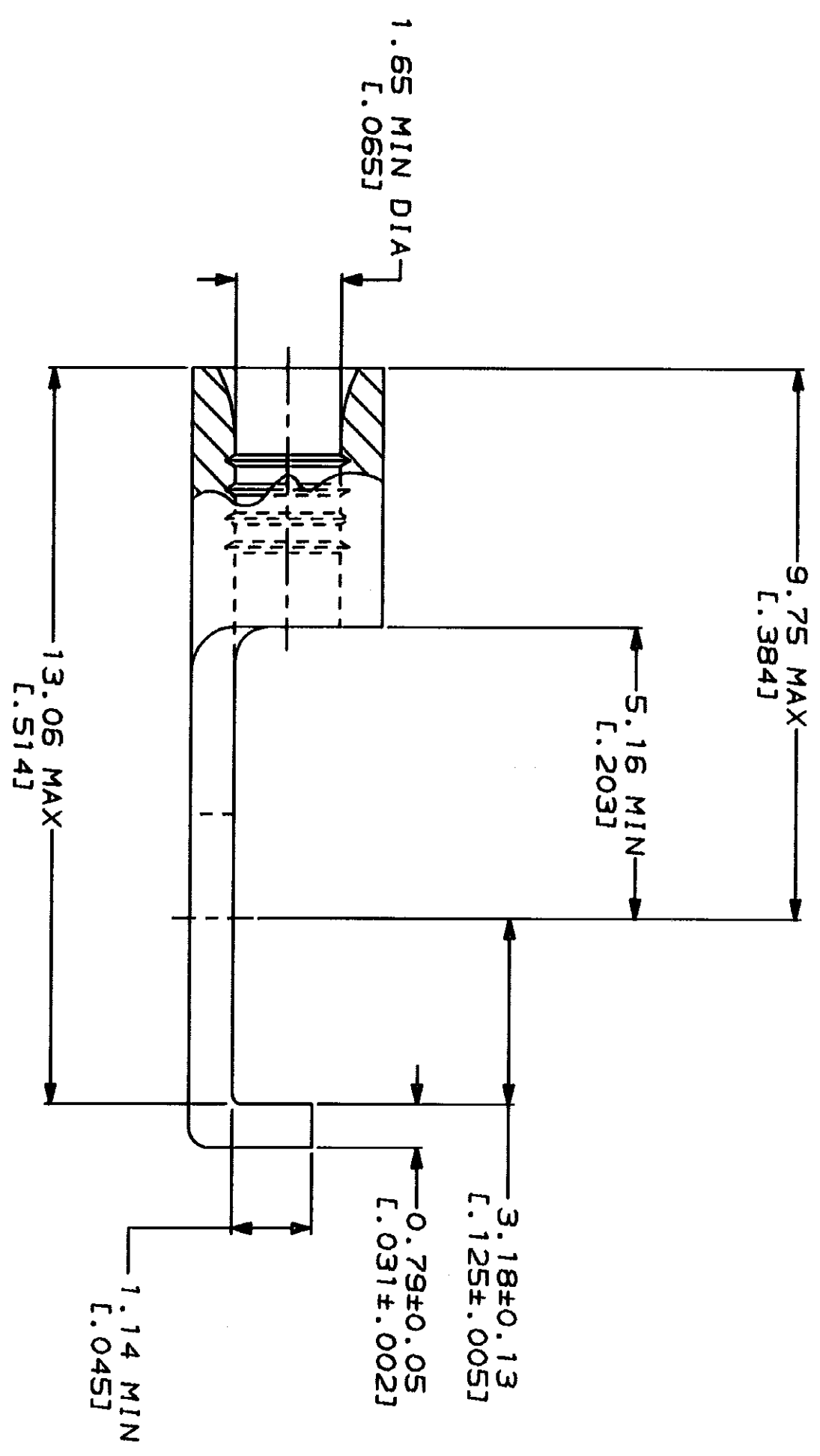
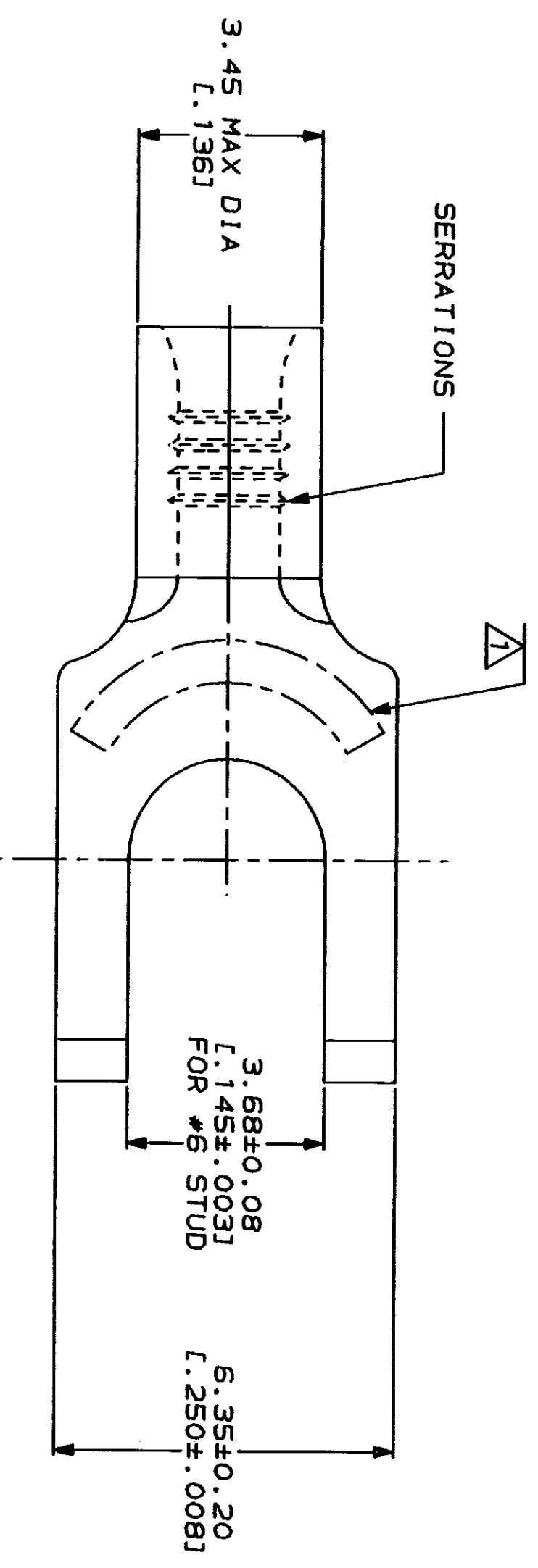
REVISIONS

NO	DESCRIPTION	DATE	APPD
1	REVISED PER 0720-0230-93	2/28/94	DAP

**METRIC**  
 DIMENSIONS LISTED IN MM [ INCHES ]

<b>AMP</b> WIRE RANGE	<b>UL</b> E13288 Listed
22-16 AWG STRANDED	22-16 AWG STRANDED
<b>LR7189</b> Certified	MILITARY P/N AND CLASS
NOT CERTIFIED	NOT APPLICABLE

STAMP AMP 22-18\* APPROX AS SHOWN  
 22-16 TERMINALS ARE STAMPED 22-18 IN  
 ACCORDANCE WITH MILITARY SPECIFICATION  
 MIL-T-7928, COMMERCIAL WIRE RANGE IS 22-16



AMP INCORPORATED  
 CUSTOMER SERVICE SYSTEMS

FOR ADDITIONAL PRODUCT INFORMATION OR COPIES OF DRAWINGS AND TECHNICAL DOCUMENTS	PRODUCT INFORMATION CENTER 1-800-522-6752	MAX RECOMMENDED OPERATING TEMPERATURE: 170°C MAX
FOR APPLICATION TOOLING INFORMATION	TOOLING ASSISTANCE CENTER 1-800-722-1111	VOLTAGE RATING: NOT APPLICABLE
FOR ORDER ENTRY	1-800-526-5142	WIRE CROSS SECTIONAL AREA RANGE: 0.26-1.65mm <sup>2</sup> [509-3,260] CIR MILS STRANDED

DO NOT SCALE PRINT.  
 UNLESS SPECIFIED OTHERWISE  
 DIMENSIONS IN MILLIMETERS  
 TOLERANCES ON:  
 1. DIMENSIONS IN MILLIMETERS  
 2. PLC DEC #  
 3. PLC DEC #  
 ANGLES  
 MATERIAL  
 COPPER PER ASTM B-152 ANNEALED  
 FINISH  
 TIN PLATE  
 0.00254L [0.00100] MIN  
 THK PER MIL-T-10727

DR 3-2-93 TA BRINKMAN	NAME <b>AMP</b> AMP Incorporated Harrisburg, PA 17105-3508
CHK 3-2-93 DA PATTERSON	TERMINAL, FLANGED SPADE, BUDGET
APPD 3-2-93 DE MILLER	SIZE CAGE CODE 00779 DRAWING NO 322776
APPD 3-2-93 JL NECKLEY	SCALE 10:1
PRODUCT SPEC	SHEET 1 OF 1
APPLICATION SPEC	
WEIGHT	