



Chipsmall Limited consists of a professional team with an average of over 10 year of expertise in the distribution of electronic components. Based in Hongkong, we have already established firm and mutual-benefit business relationships with customers from,Europe,America and south Asia,supplying obsolete and hard-to-find components to meet their specific needs.

With the principle of "Quality Parts,Customers Priority,Honest Operation,and Considerate Service",our business mainly focus on the distribution of electronic components. Line cards we deal with include Microchip,ALPS,ROHM,Xilinx,Pulse,ON,Everlight and Freescale. Main products comprise IC,Modules,Potentiometer,IC Socket,Relay,Connector.Our parts cover such applications as commercial,industrial, and automotives areas.

We are looking forward to setting up business relationship with you and hope to provide you with the best service and solution. Let us make a better world for our industry!



Contact us

Tel: +86-755-8981 8866 Fax: +86-755-8427 6832

Email & Skype: info@chipsmall.com Web: www.chipsmall.com

Address: A1208, Overseas Decoration Building, #122 Zhenhua RD., Futian, Shenzhen, China



4

3

2

1

THIS DRAWING IS UNPUBLISHED.

RELEASED FOR PUBLICATION

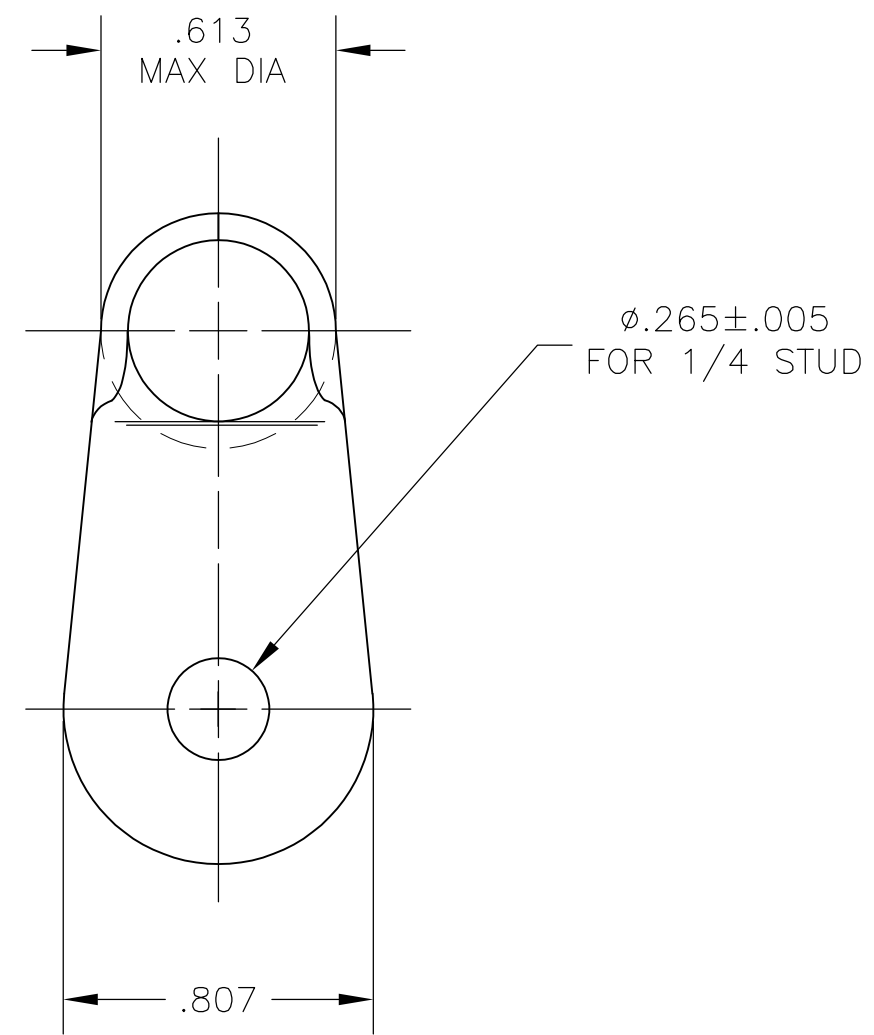
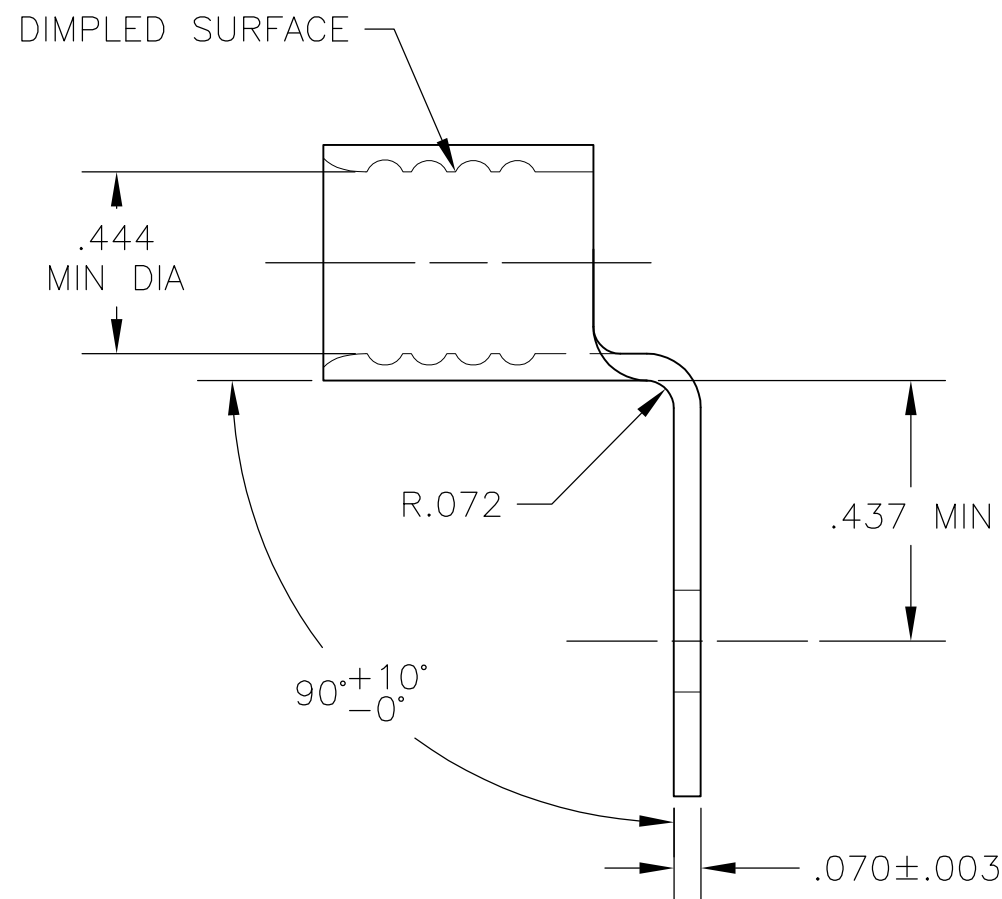
-. - .

© COPYRIGHT - By -

ALL RIGHTS RESERVED.

LOC	DIST	REVISIONS			
P	LTR	DESCRIPTION	DATE	DWN	APVD
G	14	C1	REVISED PER ECO-12-006198	30MAR12	KH DR

- △1 COPPER PER ASTM B-152, ANNEALED
- △2 TIN PLATE PER ASTM B-545



322905
PART NO

THIS DRAWING IS A CONTROLLED DOCUMENT.		DWN jr_ruth	07MAY04	TE Connectivity	
DIMENSIONS: INCHES		CHK MJ SPICER	07MAY04		
		APVD MJ SPICER	07MAY04	NAME	
TOLERANCES UNLESS OTHERWISE SPECIFIED: 0 PLC ± - 1 PLC ± - 2 PLC ± - 3 PLC ± .008 4 PLC ± - ANGLES ± 5°		PRODUCT SPEC		WIRE TERMINAL SOLISTRAND, RING TONGUE, BENT 90 WIRE SIZ 1/0	
MATERIAL		APPLICATION SPEC		SIZE	RESTRICTED TO
△1		FINISH		CAGE CODE	DRAWING NO
△2		WEIGHT		A300779	C-322905
CUSTOMER DRAWING				SCALE	SHEET
				2:1	1 OF 1
				REV	C1