



Chipsmall Limited consists of a professional team with an average of over 10 year of expertise in the distribution of electronic components. Based in Hongkong, we have already established firm and mutual-benefit business relationships with customers from,Europe,America and south Asia,supplying obsolete and hard-to-find components to meet their specific needs.

With the principle of “Quality Parts,Customers Priority,Honest Operation,and Considerate Service”,our business mainly focus on the distribution of electronic components. Line cards we deal with include Microchip,ALPS,ROHM,Xilinx,Pulse,ON,Everlight and Freescale. Main products comprise IC,Modules,Potentiometer,IC Socket,Relay,Connector.Our parts cover such applications as commercial,industrial, and automotives areas.

We are looking forward to setting up business relationship with you and hope to provide you with the best service and solution. Let us make a better world for our industry!



## Contact us

Tel: +86-755-8981 8866 Fax: +86-755-8427 6832

Email & Skype: info@chipsmall.com Web: www.chipsmall.com

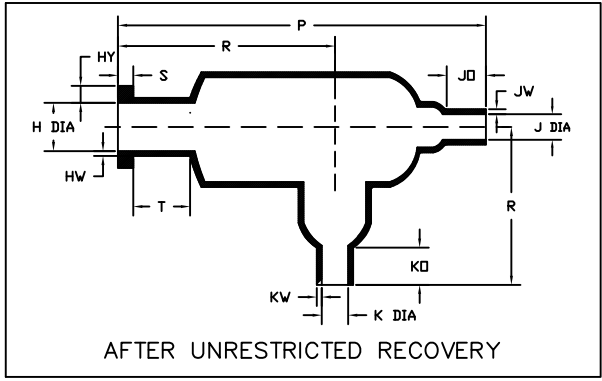
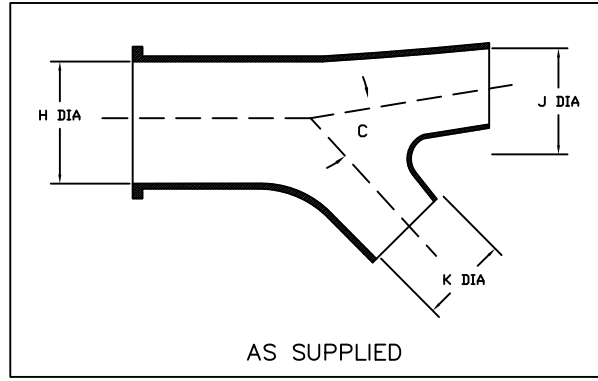
Address: A1208, Overseas Decoration Building, #122 Zhenhua RD., Futian, Shenzhen, China



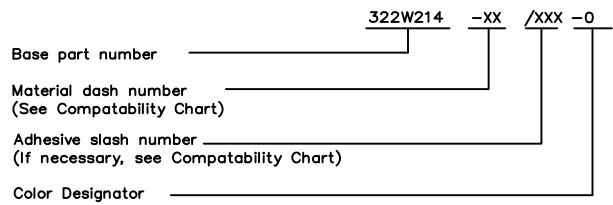
**NOTES**

- All dimensions are in  $\frac{\text{inches}}{\text{[millimeters]}}$
- Dimensions appearing in table are as follows:
  - a - As Supplied
  - b - After Unrestricted Recovery
- Coating is optional. As supplied dimensions appearing in table are for uncoated parts. When coating is added, entry diameters will be reduced by .06 max.

REVISIONS		
LTR	DESCRIPTION	DATE
C	REVISED PER ECO-15-011773	08/13/2015



**ORDERING INFORMATION**



**TABLE OF DIMENSIONS**

PART NUMBER	H		J		K		P	R	S	T	U	HY	HW	J0	JW	K0	KW	C'
	Min	Max	Min	Max	Min	Max												
	a	b	a	b	a	b												
322W214	1.57 [40,0]	.54 [13,7]	.94 [24,0]	.29 [7,4]	.94 [24,0]	.29 [7,4]	4.33 [110,0]	1.89 [43,0]	.20 [5,0]	.98 [25,0]	2.68 [68,0]	.22 [5,5]	.10 [2,5]	.43 [11,0]	.08 [2,0]	.43 [11,0]	.08 [2,0]	30

Raychem Molded Parts  
**CUSTOMER DRAWING**

If this document is printed it becomes uncontrolled. Check for the latest revision

COMPATIBILITY CHART					
MATERIAL DASH NO.	MATERIAL DESCRIPTION	RT SPEC	COATING SLASH NO.	COATING S NO.	COATING DESCRIPTION
-25	Elastomer, Fluid Resistant	RW-2070	/42;/86;/225	S-1017;S-1048	Adhesive

THIS DRAWING AND THE INFORMATION SET FORTH HEREON ARE THE PROPERTY OF TYCO ELECTRONICS CORPORATION, AND ARE TO BE HELD IN TRUST AND CONFIDENCE. PUBLICATION, DUPLICATION, DISCLOSURE OR USE FOR ANY PURPOSE NOT EXPRESSLY AUTHORIZED IN WRITING BY TYCO ELECTRONICS CORPORATION IS PROHIBITED.

UNLESS OTHERWISE SPECIFIED DIMENSIONS ARE METRIC AND INCHES ARE IN BRACKETS. DECIMAL TOLERANCES xxx ± 0.13 (.005) xx ± 0.25 (.01) x ± 0.50 (.10) ANGLE TOLERANCE .x ± 5 DEG.	DRAWN M Mazariegos 5/07/15	APPROVED S.GRAVANO 5/07/15	TE Connectivity
	RPN	TITLE TRANSITION, 90°, SIDE BREAKOUT	
CAD FILE: 322W214_CD	THIRD ANGLE PROJECTION	SIZE B	CODE IDENT. NO. 06090
TYCO ELECTRONICS RESERVES THE RIGHT TO AMEND THIS DRAWING AT ANY TIME. USERS SHOULD EVALUATE THE SUITABILITY OF THE PRODUCT FOR THEIR APPLICATION.	DWG. NO. 322W214	DO NOT SCALE THIS DRAWING	
© 2011-2015 Tyco Electronics Corporation. All rights reserved.	SHEET 1 OF 1		