



Chipsmall Limited consists of a professional team with an average of over 10 year of expertise in the distribution of electronic components. Based in Hongkong, we have already established firm and mutual-benefit business relationships with customers from,Europe,America and south Asia,supplying obsolete and hard-to-find components to meet their specific needs.

With the principle of "Quality Parts,Customers Priority,Honest Operation,and Considerate Service",our business mainly focus on the distribution of electronic components. Line cards we deal with include Microchip,ALPS,ROHM,Xilinx,Pulse,ON,Everlight and Freescale. Main products comprise IC,Modules,Potentiometer,IC Socket,Relay,Connector.Our parts cover such applications as commercial,industrial, and automotives areas.

We are looking forward to setting up business relationship with you and hope to provide you with the best service and solution. Let us make a better world for our industry!



## Contact us

Tel: +86-755-8981 8866 Fax: +86-755-8427 6832

Email & Skype: info@chipsmall.com Web: www.chipsmall.com

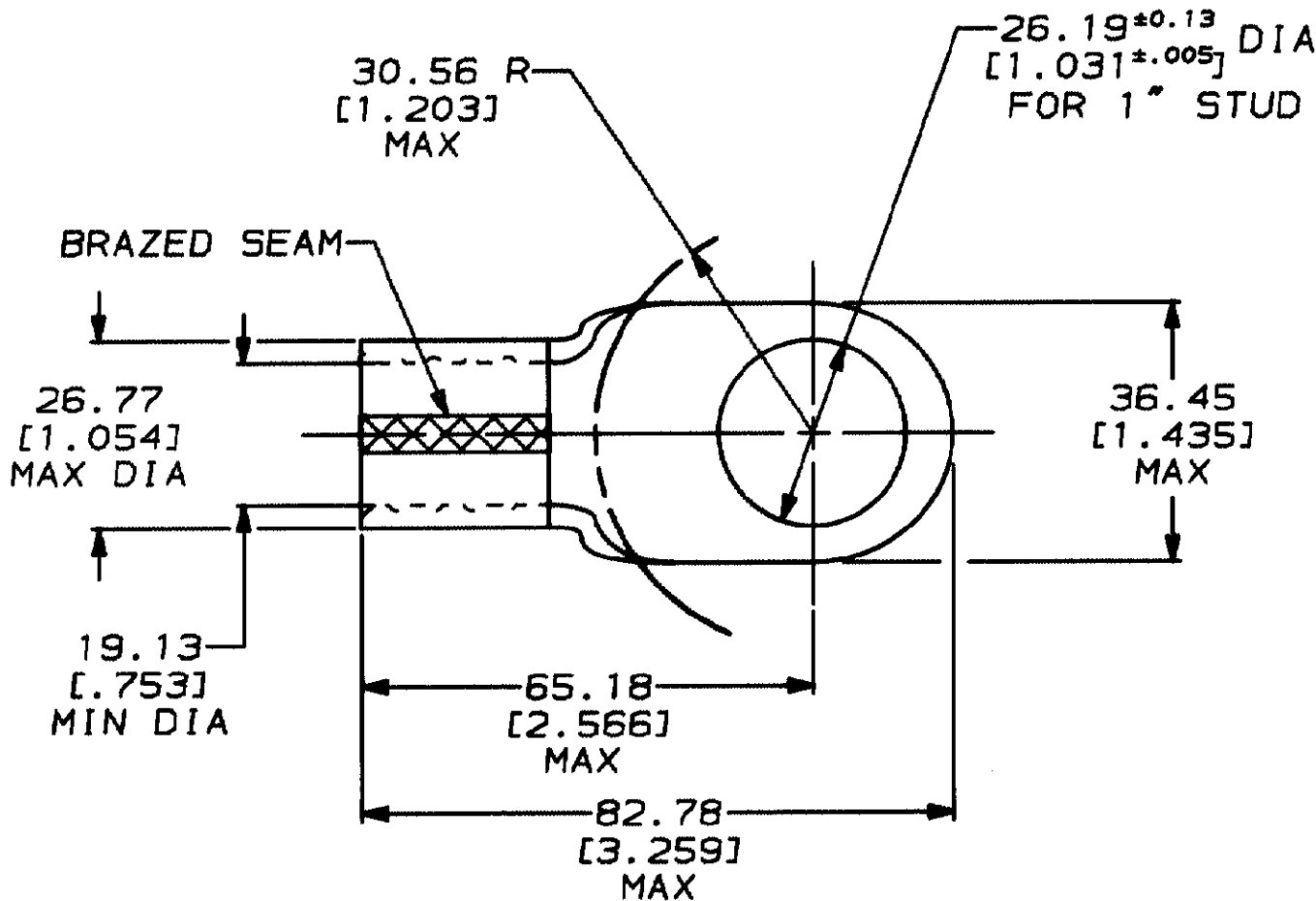
Address: A1208, Overseas Decoration Building, #122 Zhenhua RD., Futian, Shenzhen, China



DRAWING MADE IN THIRD ANGLE PROJECTION

THIS DRAWING IS A CONTROLLED DOCUMENT FOR AMP INCORPORATED. IT IS SUBJECT TO CHANGE AND THE CONTROLLING ENGINEERING ORGANIZATION SHOULD BE CONTACTED FOR THE LATEST REVISION.

LOC	DIST	P	F	LTR	REVISIONS	DESCRIPTION	DATE	APPROVED
G	14				B	REVISED & REDRAWN PER G-5803	6/12/92	DKS / AJK



THIS DRAWING IS UNPUBLISHED. RELEASED FOR PUBLICATION BY AMP INCORPORATED. ALL INTERNATIONAL RIGHTS RESERVED. © COPYRIGHT 19

323034
PART NO

DO NOT SCALE PRINT. UNLESS SPECIFIED DIMENSIONS IN mm [IN] TOLERANCES ON:  
 2 PLC DEC ± 0.20(.008)  
 3 PLC DEC ± -  
 ANGLES ± -

MATERIAL  
 COPPER ASTM B-152 ANNEALED

FINISH  
 TIN PLATE  
 0.00254(.000100) MIN THK PER MIL-T-10727

DR 6/12/92 DK SCHUM
CHK 6/26/92 RD HEIN
APPD 6/26/92 AJ KAUFMAN
APPD 6/26/92 CR RHODES
PRODUCT SPEC -
APPLICATION SPEC -
WEIGHT -

**AMP** AMP Incorporated  
 Harrisburg, PA 17105-3608

NAME  
 TERMINAL, RING TONGUE, SOLISTRAND™  
 WIRE SIZE: 127.0-152.0mm² [250-300] MCM

SIZE <b>A</b>	CAGE CODE 00779	DRAWING NO <b>C-323034</b>
SCALE 1:1	SHEET 1 OF 1	