



Chipsmall Limited consists of a professional team with an average of over 10 year of expertise in the distribution of electronic components. Based in Hongkong, we have already established firm and mutual-benefit business relationships with customers from,Europe,America and south Asia,supplying obsolete and hard-to-find components to meet their specific needs.

With the principle of “Quality Parts,Customers Priority,Honest Operation,and Considerate Service”,our business mainly focus on the distribution of electronic components. Line cards we deal with include Microchip,ALPS,ROHM,Xilinx,Pulse,ON,Everlight and Freescale. Main products comprise IC,Modules,Potentiometer,IC Socket,Relay,Connector.Our parts cover such applications as commercial,industrial, and automotives areas.

We are looking forward to setting up business relationship with you and hope to provide you with the best service and solution. Let us make a better world for our industry!



## Contact us

Tel: +86-755-8981 8866 Fax: +86-755-8427 6832

Email & Skype: info@chipsmall.com Web: www.chipsmall.com

Address: A1208, Overseas Decoration Building, #122 Zhenhua RD., Futian, Shenzhen, China

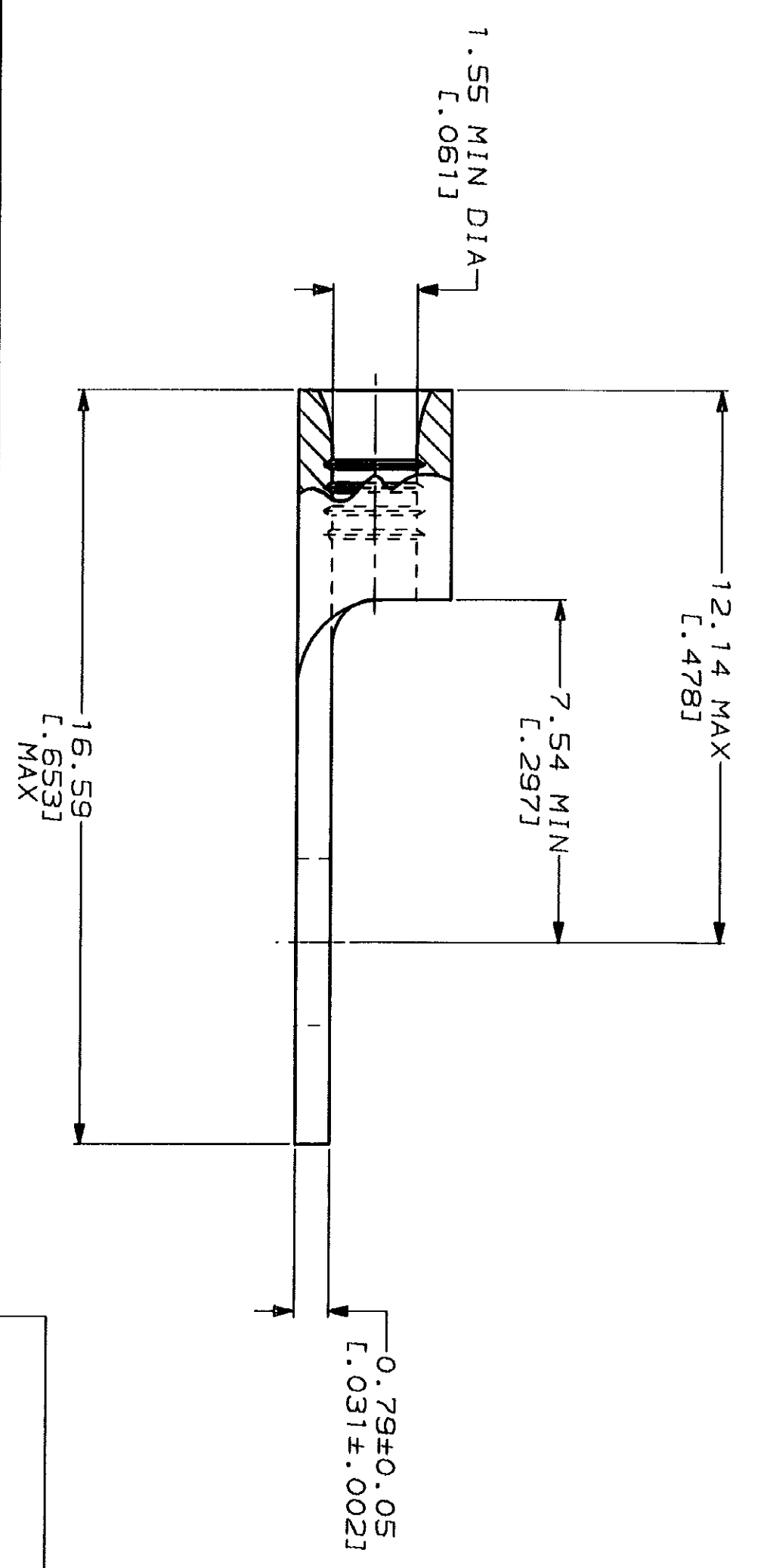
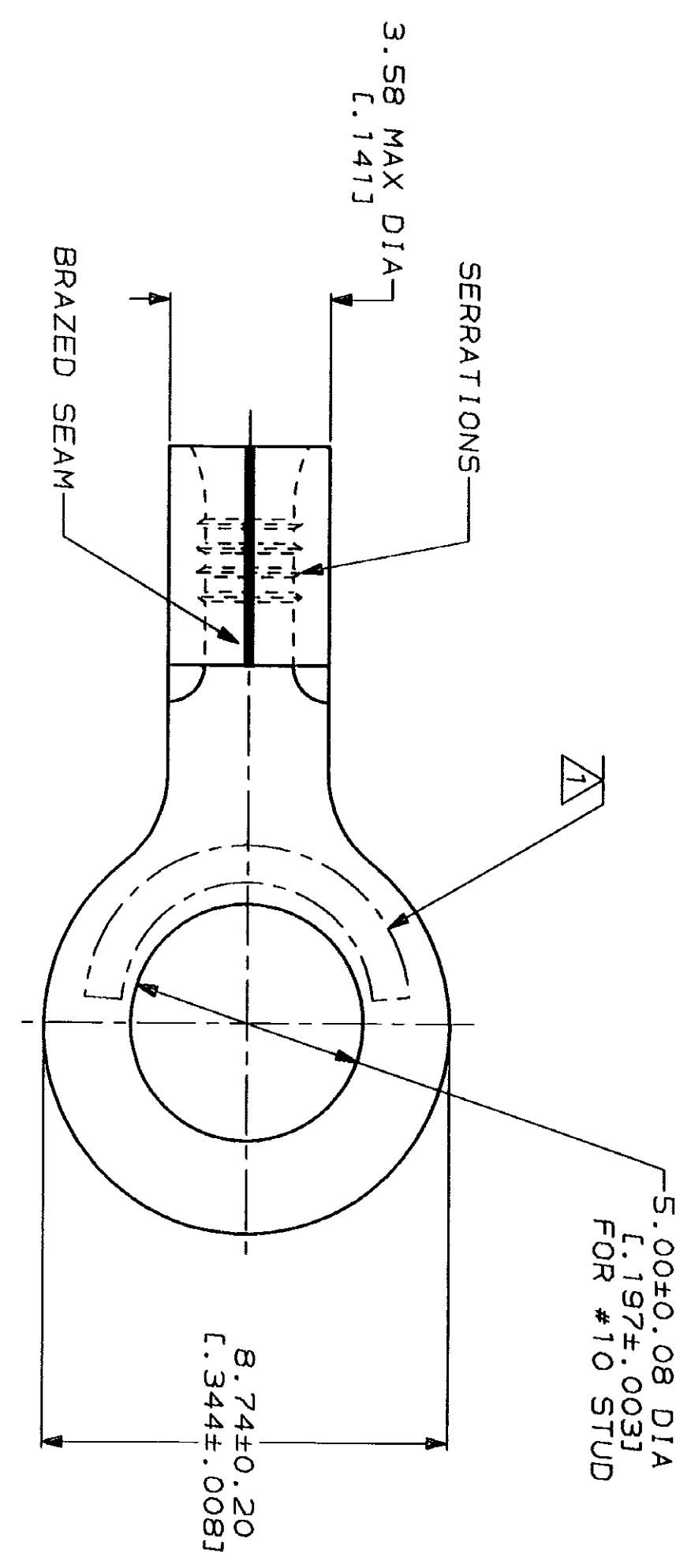


LOC	DIST	REV	ZONE	LTR	DESCRIPTION	DATE	APPD
G	14	P		B	REV. RDRW, 8 SM PKG PER 0720-0040-93	3-10-93	1 <sup>st</sup> DAP

**METPRIG**  
DIMENSIONS LISTED IN mm [ INCHES ]

<b>AMP</b> WIRE RANGE	<b>UL</b> E13288 Listed
22-16 AWG SOLID OR STRANDED	22-16 AWG SOLID OR STRANDED
<b>LR7189</b> Certified	MILITARY P/N AND CLASS
22-16 AWG SOLID OR STRANDED	NOT APPLICABLE

STAMP AMP 22-18\* APPROX AS SHOWN  
22-16 TERMINALS ARE STAMPED 22-18 IN  
ACCORDANCE WITH MILITARY SPECIFICATION  
MIL-T-7928; COMMERCIAL WIRE RANGE IS 22-16



0.79±0.05  
[C.031±.002]

**AMP INCORPORATED**  
CUSTOMER SERVICE SYSTEMS

FOR ADDITIONAL PRODUCT INFORMATION OR COPIES OF DRAWINGS AND TECHNICAL DOCUMENTS	PRODUCT INFORMATION CENTER 1-800-522-6752
FOR APPLICATION TOOLING INFORMATION	TOOLING ASSISTANCE CENTER 1-800-722-1111
FOR ORDER ENTRY	1-800-526-5142

MAX RECOMMENDED OPERATING  
TEMPERATURE: 170°C MAX

VOLTAGE RATING:  
NOT APPLICABLE

WIRE CROSS SECTIONAL AREA RANGE:  
0.26-1.65mm<sup>2</sup> (509-3,260) CIR MILS  
SOLID OR STRANDED

THIS DRAWING IS A CONTROLLED DOCUMENT FOR  
AMP INCORPORATED. IT IS SUBJECT TO CHANGE  
WITHOUT NOTICE. THE USER'S RESPONSIBILITY  
SHOULD BE CONSULTED FOR THE LATEST REVISION.

DO NOT SCALE PRINT.  
UNLESS SPECIFIED  
DIMENSIONS IN mm FINISHES  
TOLERANCES ON:  
1 PLG DEC ±  
2 PLG DEC ±  
3 PLG DEC ±  
ANGLES

MATERIAL  
COPPER PER  
ASTM B-152  
ANNEALED

FINISH  
TIN PLATE  
0.00254 [0.00100] MIN  
THK PER MIL-T-10727

DR 3-10-93 TA BRINKMAN
CHK 3-10-93 DA PATTERSON
APPD 3-10-93 DE MILLER
APPD 3-10-93 JL MECKLEY
PRODUCT SPEC
APPLICATION SPEC
WEIGHT

QUANTITY	PACKAGE TYPE	PART NO
100	LOOSE PIECE, BOX	8-323087-1
---	LOOSE PIECE	323087

**AMP** AMP Incorporated  
Harrisburg, PA 17105-3608

TERMINAL, RING  
TONGUE, SOLI STRAND™

SIZE	CAGE CODE	DRAWING NO
SCALE	00779	323087
SCALE	8:1	