



Chipsmall Limited consists of a professional team with an average of over 10 year of expertise in the distribution of electronic components. Based in Hongkong, we have already established firm and mutual-benefit business relationships with customers from,Europe,America and south Asia,supplying obsolete and hard-to-find components to meet their specific needs.

With the principle of “Quality Parts,Customers Priority,Honest Operation,and Considerate Service”,our business mainly focus on the distribution of electronic components. Line cards we deal with include Microchip,ALPS,ROHM,Xilinx,Pulse,ON,Everlight and Freescale. Main products comprise IC,Modules,Potentiometer,IC Socket,Relay,Connector.Our parts cover such applications as commercial,industrial, and automotives areas.

We are looking forward to setting up business relationship with you and hope to provide you with the best service and solution. Let us make a better world for our industry!



## Contact us

Tel: +86-755-8981 8866 Fax: +86-755-8427 6832

Email & Skype: info@chipsmall.com Web: www.chipsmall.com

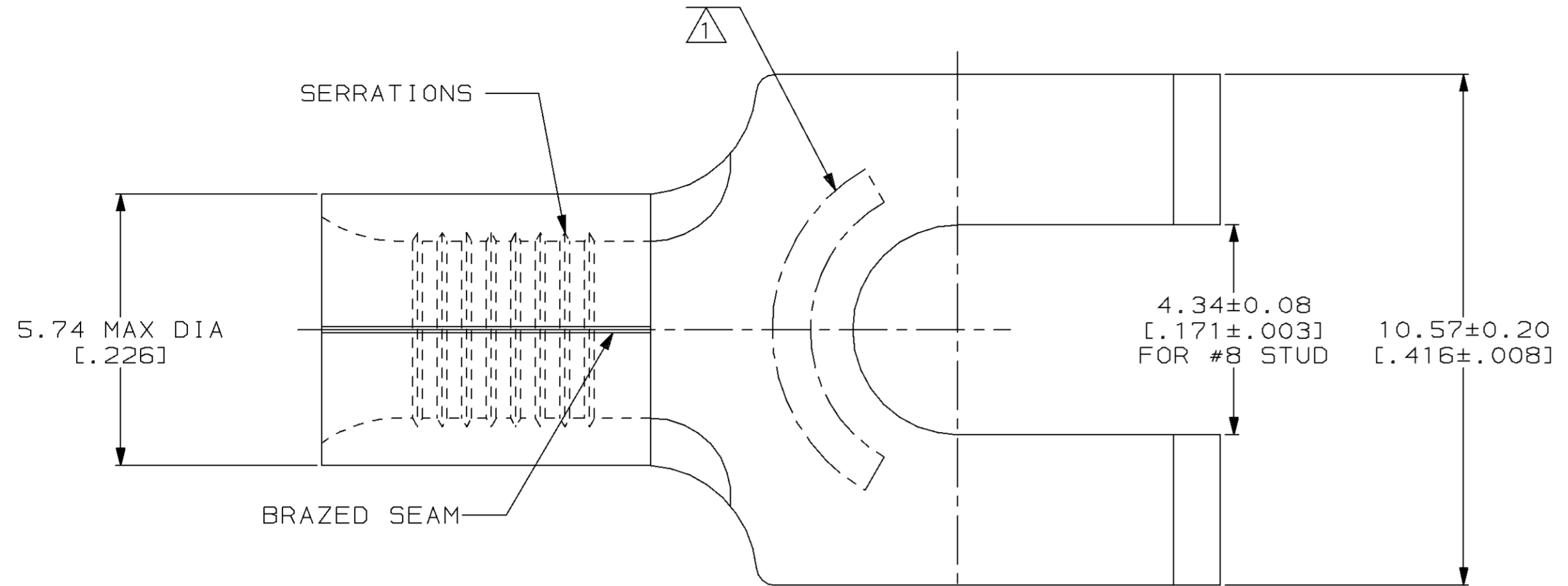
Address: A1208, Overseas Decoration Building, #122 Zhenhua RD., Futian, Shenzhen, China



THIS DRAWING IS UNPUBLISHED. RELEASED FOR PUBLICATION ,19 .  
 © COPYRIGHT 19 BY AMP INCORPORATED. ALL INTERNATIONAL RIGHTS RESERVED.

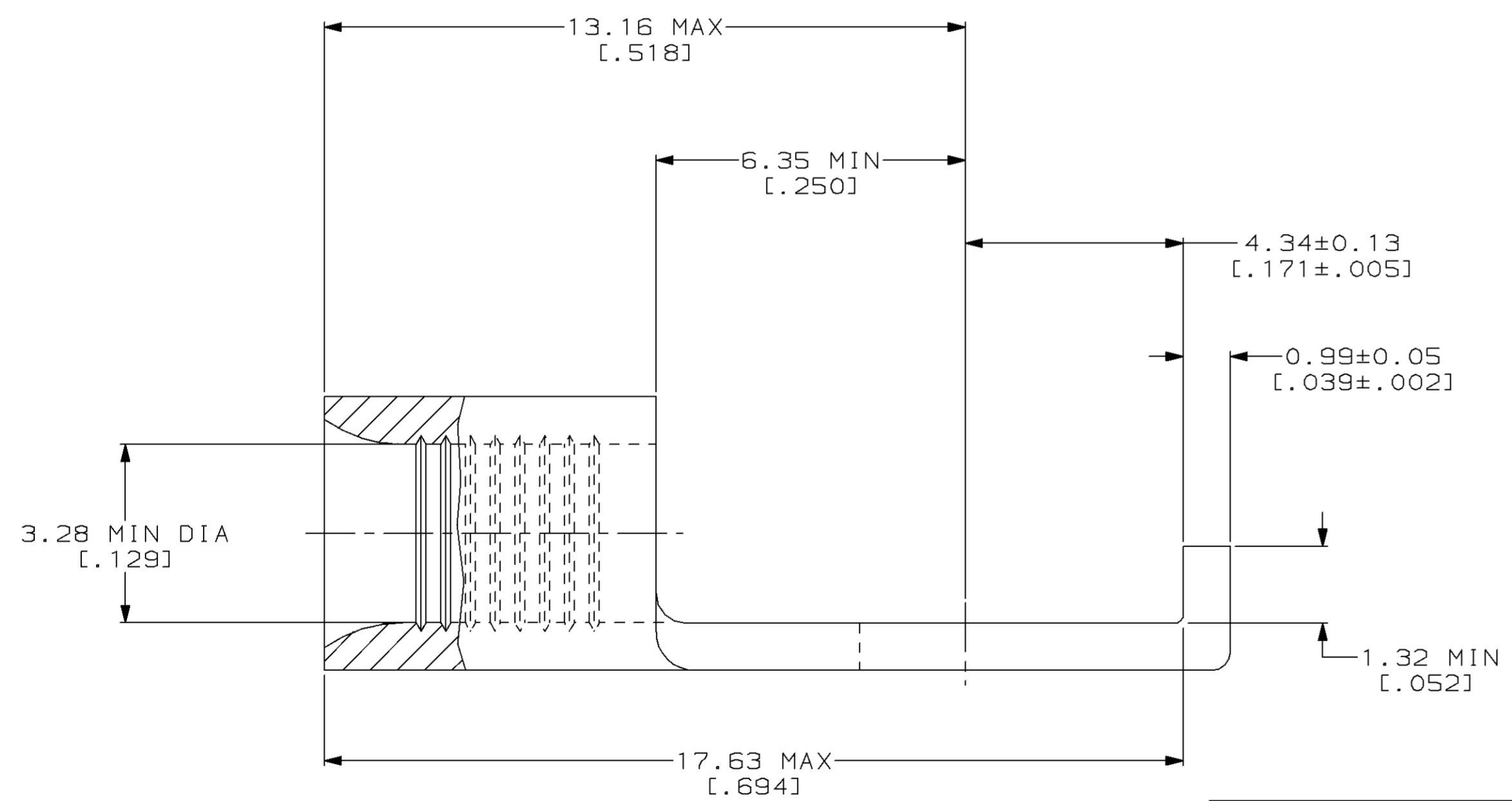
| LOC |    | DIST |  | P |  | F    |     | REVISIONS                      |        | DATE | APPD |
|-----|----|------|--|---|--|------|-----|--------------------------------|--------|------|------|
| G   | 14 |      |  |   |  | ZONE | LTR | DESCRIPTION                    | 4-8-93 | DA P |      |
|     |    |      |  |   |  |      | E   | REV & REDRAWN PER 0720-0040-93 |        |      |      |

**METRIC**  
 DIMENSIONS LISTED IN mm [ INCHES ]



|                                |                            |
|--------------------------------|----------------------------|
| <b>AMP</b><br>WIRE RANGE       | <b>UL</b> E13288<br>Listed |
| 12-10 AWG<br>SOLID OR STRANDED | 12-10 AWG<br>STRANDED      |
| <b>SR</b> LR7189<br>Certified  | MILITARY P/N<br>AND CLASS  |
| 12-10 AWG<br>SOLID OR STRANDED | NOT APPLICABLE             |

① STAMP AMP 12-10\* APPROX AS SHOWN



|                                                                                  |                                              |                                                                                                                                                                               |                                                                                                                                        |                            |                                                   |                        |
|----------------------------------------------------------------------------------|----------------------------------------------|-------------------------------------------------------------------------------------------------------------------------------------------------------------------------------|----------------------------------------------------------------------------------------------------------------------------------------|----------------------------|---------------------------------------------------|------------------------|
| AMP INCORPORATED<br>CUSTOMER SERVICE SYSTEMS                                     |                                              | MAX RECOMMENDED OPERATING TEMPERATURE:<br>170°C MAX                                                                                                                           | DO NOT SCALE PRINT.<br>UNLESS SPECIFIED<br>DIMENSIONS IN mm [INCHES]<br>TOLERANCES ON:<br>2 PLC DEC ± -<br>3 PLC DEC ± -<br>ANGLES ± - | DR 4-8-93<br>TA BRINKMAN   | 323143<br>PART NO                                 |                        |
| FOR ADDITIONAL PRODUCT INFORMATION OR COPIES OF DRAWINGS AND TECHNICAL DOCUMENTS | PRODUCT INFORMATION CENTER<br>1-800-522-6752 | VOLTAGE RATING:<br>NOT APPLICABLE                                                                                                                                             | MATERIAL<br>COPPER PER<br>ASTM B-152<br>ANNEALED                                                                                       | CHK 4-8-93<br>DA PATTERSON | AMP AMP Incorporated<br>Harrisburg, PA 17105-3608 |                        |
| FOR APPLICATION TOOLING INFORMATION                                              | TOOLING ASSISTANCE CENTER<br>1-800-722-1111  | WIRE CROSS SECTIONAL AREA RANGE:<br>2.62-6.64mm² [5,180-13,100] CIR MILS<br>SOLID OR STRANDED                                                                                 | FINISH<br>TIN PLATE<br>0.00254 [0.000100] MIN<br>THK PER MIL-T-10727                                                                   | APPD 4-8-93<br>DE MILLER   | NAME<br>TERMINAL, FLANGED<br>SPADE, SOLISTRAND™   |                        |
| FOR ORDER ENTRY                                                                  | 1-800-526-5142                               | THIS DRAWING IS A CONTROLLED DOCUMENT FOR AMP INCORPORATED. IT IS SUBJECT TO CHANGE AND THE CONTROLLING ENGINEERING ORGANIZATION SHOULD BE CONTACTED FOR THE LATEST REVISION. |                                                                                                                                        | APPD 4-8-93<br>JL MECKLEY  | SIZE<br>③ 00779                                   | DRAWING NO<br>③=323143 |
|                                                                                  |                                              |                                                                                                                                                                               |                                                                                                                                        | PRODUCT SPEC<br>-          | SCALE 10:1                                        | SHEET 1 OF 1           |