



Chipsmall Limited consists of a professional team with an average of over 10 year of expertise in the distribution of electronic components. Based in Hongkong, we have already established firm and mutual-benefit business relationships with customers from,Europe,America and south Asia,supplying obsolete and hard-to-find components to meet their specific needs.

With the principle of "Quality Parts,Customers Priority,Honest Operation,and Considerate Service",our business mainly focus on the distribution of electronic components. Line cards we deal with include Microchip,ALPS,ROHM,Xilinx,Pulse,ON,Everlight and Freescale. Main products comprise IC,Modules,Potentiometer,IC Socket,Relay,Connector.Our parts cover such applications as commercial,industrial, and automotives areas.

We are looking forward to setting up business relationship with you and hope to provide you with the best service and solution. Let us make a better world for our industry!



Contact us

Tel: +86-755-8981 8866 Fax: +86-755-8427 6832

Email & Skype: info@chipsmall.com Web: www.chipsmall.com

Address: A1208, Overseas Decoration Building, #122 Zhenhua RD., Futian, Shenzhen, China



4

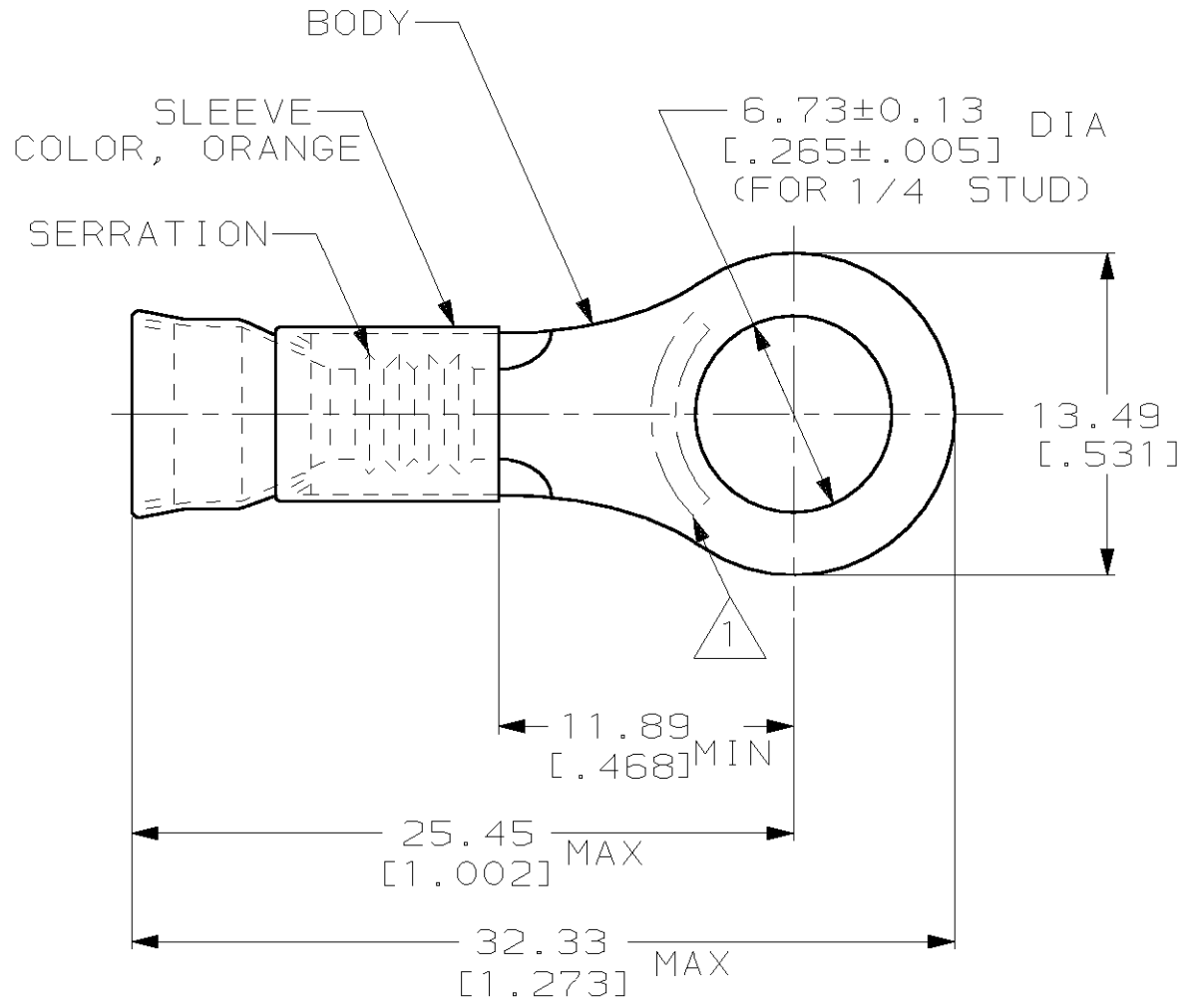
3

2

1

THIS DRAWING IS UNPUBLISHED. RELEASED FOR PUBLICATION ,19 .
 © COPYRIGHT 19 BY AMP INCORPORATED. ALL RIGHTS RESERVED.

| LOC | DIST | REVISIONS | | | | | |
|-----|------|-----------|-----|-------------------------|---------|-----|------|
| | | P | LTR | DESCRIPTION | DATE | DWN | APVD |
| G | 14 | | H | REL -1 PER 0G3A-0648-00 | 04OCT00 | JR | MS |



- ① STAMP AMP 12-10 APPROX AS SHOWN
- 2. WIRE INSUL DIA, 3.81-5.84 [.150-.230]
- 3. TONGUE MATL THK, 1.02±0.05 [.040±.002]
- ④ NO ORANGE COLOR CODE ON BARREL TO DENOTE NICKEL MATERIAL.
- ⑤ PRELIMINARY - NOT FOR PRODUCTION

| | | | |
|---|-------|---------------|------------|
| | 200 | LOOSE PIECE | 8-323751-5 |
| ④ | 2,500 | ON TAPE, REEL | ⑤ 323751-2 |
| ④ | 500 | LOOSE PIECE | 323751-1 |
| | 500 | LOOSE PIECE | 323751 |
| | QTY | PACKAGE TYPE | PART NO |

| | | | | | | |
|--|--|---|--|------------------------|---|---|
| AMP INCORPORATED CUSTOMER SERVICE SYSTEM | | MAX RECOMMENDED OPERATING TEMPERATURE: 649°C [1200°F] | THIS DRAWING IS A CONTROLLED DOCUMENT FOR AMP INCORPORATED. IT IS SUBJECT TO CHANGE AND THE CONTROLLING ENGINEERING ORGANIZATION SHOULD BE CONTACTED FOR THE LATEST REVISION. | | DWN L OLMEDA 100CT94 | AMP Incorporated Harrisburg, PA 17105-3608 |
| FOR ADDITIONAL PRODUCT INFORMATION OR COPIES OF DRAWINGS AND TECHNICAL DOCUMENTS | PRODUCT INFORMATION CENTER 1-800-522-6752 | | VOLTAGE RATING: - | DIMENSIONS: mm [in] | TOLERANCES UNLESS OTHERWISE SPECIFIED: | |
| FOR APPLICATION TOOLING INFORMATION | TOOLING ASSISTANCE CENTER 1-800-722-1111 | CIRCULAR MIL AREA: 2.62mm ² -6.64mm ² [5180-13100] | MATERIAL BODY, NI PER ASTM B162 SLEEVE, NI SIL PER ASTM B122 | FINISH - | APVD S BORTNER 100CT94 | NAME TERMINAL, RING TONGUE, STRATO-THERM™, DIAMOND GRIP™, WIRE SIZE, 12-10 AWG |
| FOR ORDER ENTRY | 1-800-526-5142 | STRANDED WIRE | | | 0 PLC ±- 1 PLC ±- 2 PLC ±0.20 [.008] 3 PLC ±- 4 PLC ±- ANGLES ±- | PRODUCT SPEC - |
| | | | | | WEIGHT - | CAGE CODE 00779 |
| | | | | | DRAWING NO C-323751 | |
| | | | | | SCALE 4:1 | |
| | | | | | SHEET 1 OF 1 | |
| | | | | | REV H | |
| CUSTOMER DRAWING | | | | | | |