



Chipsmall Limited consists of a professional team with an average of over 10 year of expertise in the distribution of electronic components. Based in Hongkong, we have already established firm and mutual-benefit business relationships with customers from,Europe,America and south Asia,supplying obsolete and hard-to-find components to meet their specific needs.

With the principle of “Quality Parts,Customers Priority,Honest Operation,and Considerate Service”,our business mainly focus on the distribution of electronic components. Line cards we deal with include Microchip,ALPS,ROHM,Xilinx,Pulse,ON,Everlight and Freescale. Main products comprise IC,Modules,Potentiometer,IC Socket,Relay,Connector.Our parts cover such applications as commercial,industrial, and automotives areas.

We are looking forward to setting up business relationship with you and hope to provide you with the best service and solution. Let us make a better world for our industry!



## Contact us

Tel: +86-755-8981 8866 Fax: +86-755-8427 6832

Email & Skype: info@chipsmall.com Web: www.chipsmall.com

Address: A1208, Overseas Decoration Building, #122 Zhenhua RD., Futian, Shenzhen, China

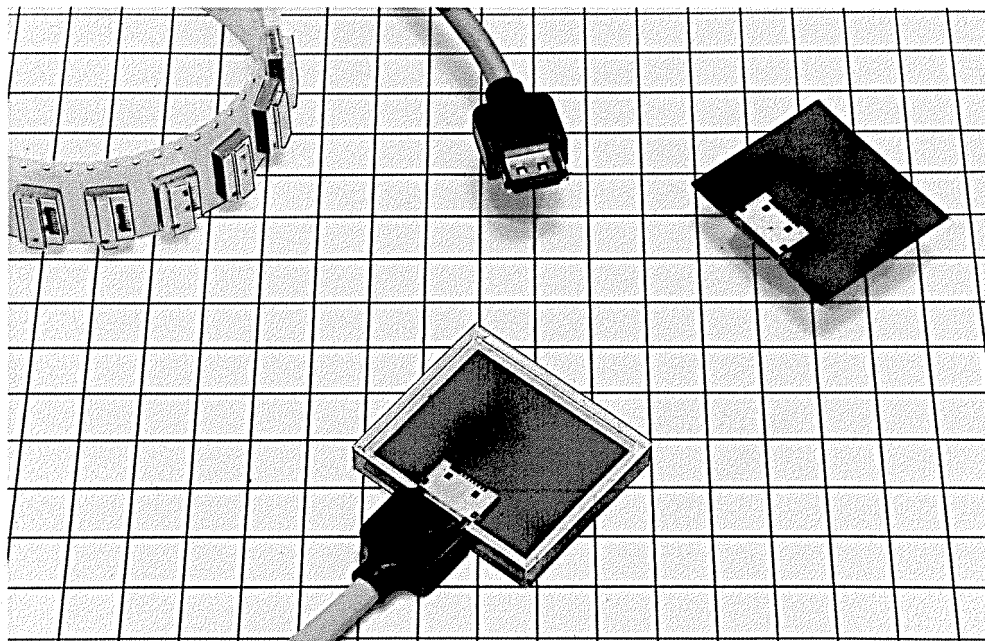


# 3200 SERIES SMT CONNECTORS FOR MICROMINIATURE INTERFACES

## General

The 3200 Series connectors are to be used for EMI-proof microminiature interfaces compatible with SMT. Contact pitch of 0.8 mm and a packaging height of 2.9

mm are designed to meet demands for smaller and thinner electronic equipment.



## Features

1. Receptacle connector height : 2.9 mm above the packaging surface of printed circuit boards (PCBs).
2. Minimum contact pitch : 0.8mm, minimizing mounting area.
3. Easy to mount on PCBs due to one-row SMT system.
4. Receptacle connectors are also available in embossed packaging.
5. Plugs are ESD protected by a metal shell.
6. Fitted with latch-locks on both sides for easy mating.
7. Reinforcing fixtures are available in 0.5, 1, and 1.5mm lengths depending on PCB thickness.
8. Plug connectors can be terminated by soldering so that they are compatible with various types of wires.
9. 8 and 10-contact models available.

## Applications

Portable personal computers, electronic notebooks, various OA equipment, and portable mobile communication equipment.

## Main Specifications

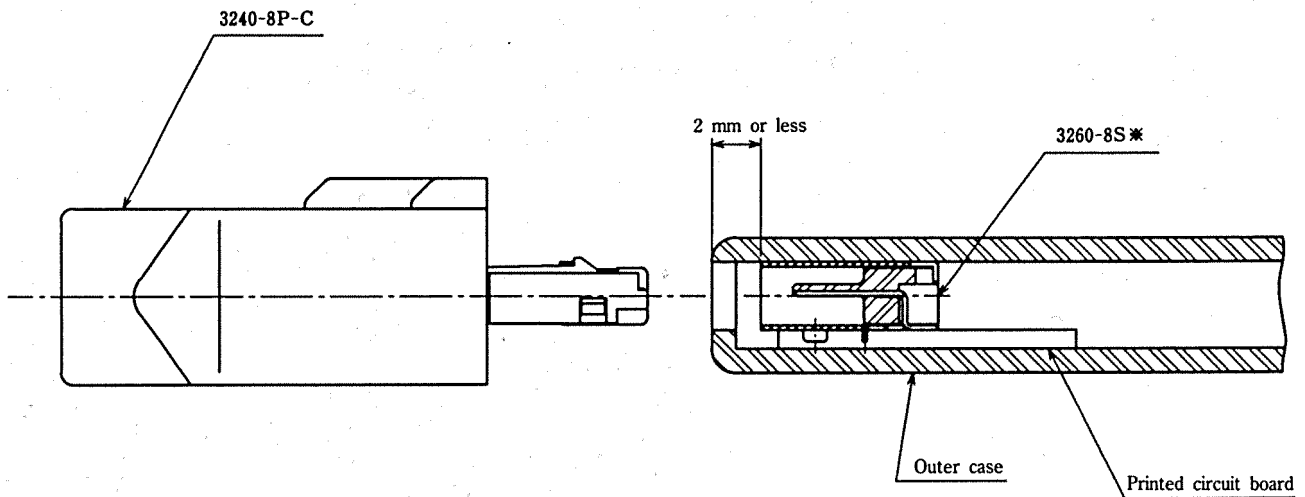
## Material/Finish

Main specifications	
Rated current	500 mA
Rated voltage	AC125V
Insulation voltage	250 MΩ or more at DC100V
Withstanding voltage	At AC300V r.m.s for 1 minute

Main materials used			
Receptacle connector	Insulation	Synthetic resin	Black※
	Contact	Copper alloy	Selective gold-plated
	Shell	Stainless steel	Solder-plated
Plug connector	Insulation	Synthetic resin	Black※
	Contact	Copper alloy	Selective gold-plated
	Shell	Copper alloy	Solder-plated
	Cover	Synthetic resin	Black※

※ UL94V-0

## Connector Packaging Reference Drawing

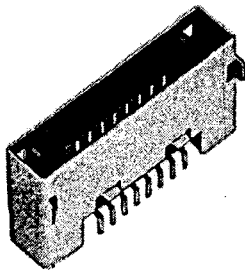


## Applicable Cable

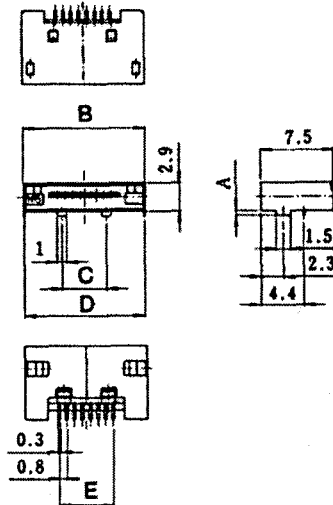
Contacts of the plug side connectors are to be soldered. Due to limited covered inside space, use cables of approx. the following sizes.

Sheath outside dia:  $\phi$  5.2mm or less (8 contacts)  $\phi$  5.4mm or less (10 contacts)  
 Core: AWG28 or less  
 Insulation outside dia:  $\phi$  0.7mm or less

## Receptacle Connector



CL232-0002-7  
3260-8S1

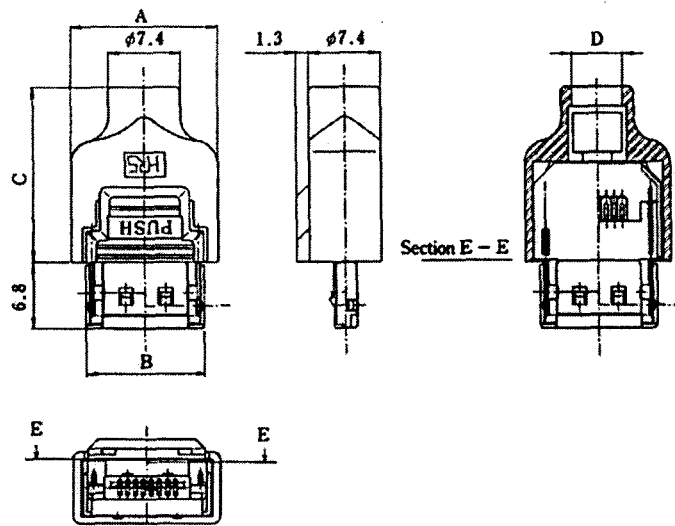
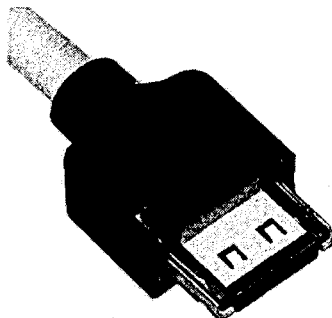


Unit:mm

HRS No.	No. of Pin	Part No.	A	B	C	D	E
CL232-0002-7	8	3260-8S1	0.5	12.6	4.6	12.4	5.6
* CL232-0002-7-01	8	3260-8S1(01)	0.5				
CL232-0009-6	8	3260-8S2	1.0				
* CL232-0009-6-01	8	3260-8S2(01)	1.0				
CL232-0010-5	8	3260-8S3	1.5				
* CL232-0010-5-01	8	3260-8S3(01)	1.5				
CL232-0047-5	10	3260-10S3	1.5	14.2	6.2	14	7.2

\* Specification (01) connectors are packaged with embossed (1000 connectors per reel) tape.

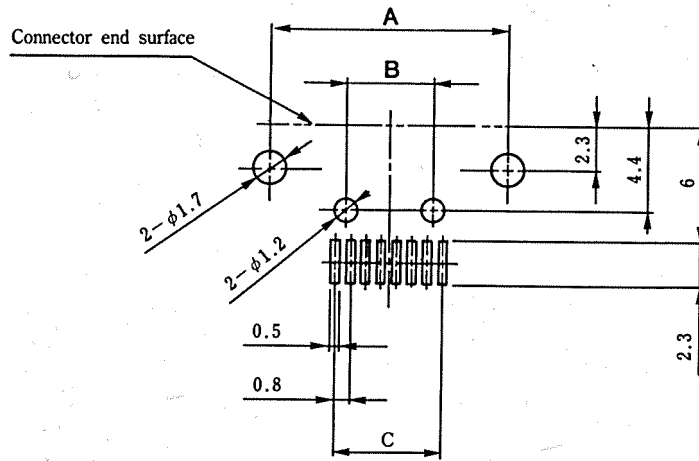
## Plug Connector



Unit:mm

HRS No.	No. of Pin	Part No.	A	B	C	D
CL232-0001-4	8	3240-8P-C	15.1	12.1	18	φ5.2
CL232-0048-8	10	3240-10P-C	18.7	13.7	21	φ5.4

## PCB Layout



Unit:mm

Part No.	A	B	C
3240-8P-C	12.4	4.6	5.6
3240-10P-C	14	6.2	7.2

## Harness Tools

Connector	Process	Tools	
3240-8P-C	Cable clamps	HI-Flex Connecting press (CL550-0082-2)	3240-8CV (clamping jig)
3240-10P-C			3240-10CV (clamping jig)