



Chipsmall Limited consists of a professional team with an average of over 10 year of expertise in the distribution of electronic components. Based in Hongkong, we have already established firm and mutual-benefit business relationships with customers from,Europe,America and south Asia,supplying obsolete and hard-to-find components to meet their specific needs.

With the principle of “Quality Parts,Customers Priority,Honest Operation,and Considerate Service”,our business mainly focus on the distribution of electronic components. Line cards we deal with include Microchip,ALPS,ROHM,Xilinx,Pulse,ON,Everlight and Freescale. Main products comprise IC,Modules,Potentiometer,IC Socket,Relay,Connector.Our parts cover such applications as commercial,industrial, and automotives areas.

We are looking forward to setting up business relationship with you and hope to provide you with the best service and solution. Let us make a better world for our industry!



Contact us

Tel: +86-755-8981 8866 Fax: +86-755-8427 6832

Email & Skype: info@chipsmall.com Web: www.chipsmall.com


Address: A1208, Overseas Decoration Building, #122 Zhenhua RD., Futian, Shenzhen, China



C-RC 50/M10 DIN

Order No.: 3240112

<http://eshop.phoenixcontact.de/phoenix/treeViewClick.do?UID=3240112>Ring cable lug, non-insulated, 50 mm², M10**Commercial data**

| | |
|--------------------------|---|
| GTIN (EAN) |  4 046356 453295 |
| sales group | B282 |
| Pack | 100 pcs. |
| Customs tariff | 85369010 |
| Catalog page information | Page 670 (CL-2009) |

Product notesWEEE/RoHS-compliant since:
09/24/2008

<http://www.download.phoenixcontact.com>
Please note that the data given here has been taken from the online catalog. For comprehensive information and data, please refer to the user documentation. The General Terms and Conditions of Use apply to Internet downloads.

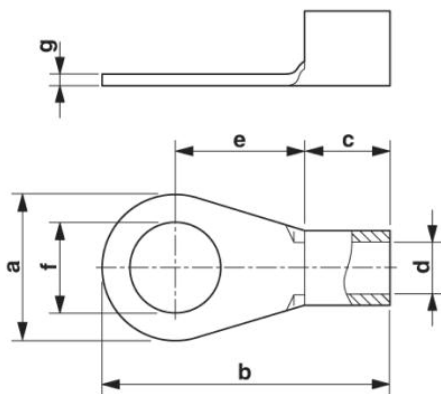
Technical data**General**

| | |
|---------------------------------|--------|
| Length (b) | 43 mm |
| Width (a) | 18 mm |
| Color | silver |
| Ambient temperature (operation) | 110 °C |
| Material | Copper |

| | |
|---|---------|
| Length of insulation sleeve (c) | 16 mm |
| Inner dimension of the insulating collar (d) | 11 mm |
| Distance between the center and the insulation sleeve (e) | 18 mm |
| Inner diameter (f) | 10.5 mm |
| Material thickness (g) | 1.8 mm |

Diagrams/Drawings

Dimensioned drawing



Address

PHOENIX CONTACT Deutschland GmbH
Flachmarktstr. 8
32825 Blomberg, Germany
Phone +49 5235 3 12000
Fax +49 5235 3 41200
<http://www.phoenixcontact.de>



© 2011 Phoenix Contact
Technical modifications reserved;