



Chipsmall Limited consists of a professional team with an average of over 10 year of expertise in the distribution of electronic components. Based in Hongkong, we have already established firm and mutual-benefit business relationships with customers from,Europe,America and south Asia,supplying obsolete and hard-to-find components to meet their specific needs.

With the principle of “Quality Parts,Customers Priority,Honest Operation,and Considerate Service”,our business mainly focus on the distribution of electronic components. Line cards we deal with include Microchip,ALPS,ROHM,Xilinx,Pulse,ON,Everlight and Freescale. Main products comprise IC,Modules,Potentiometer,IC Socket,Relay,Connector.Our parts cover such applications as commercial,industrial, and automotives areas.

We are looking forward to setting up business relationship with you and hope to provide you with the best service and solution. Let us make a better world for our industry!



Contact us

Tel: +86-755-8981 8866 Fax: +86-755-8427 6832

Email & Skype: info@chipsmall.com Web: www.chipsmall.com

Address: A1208, Overseas Decoration Building, #122 Zhenhua RD., Futian, Shenzhen, China



Cable duct - CD 80X40 - 3240335

Please be informed that the data shown in this PDF Document is generated from our Online Catalog. Please find the complete data in the user's documentation. Our General Terms of Use for Downloads are valid (<http://phoenixcontact.com/download>)



Cable duct, gray, comprising upper part and mounting base, width: 80 mm, height: 40 mm, length: 2000 mm

Product Features

- ✓ Thanks to its leverage and special cutting geometry, the PPS CD cable duct cutter enables easy, burr-free cutting with minimum effort
- ✓ Easy, burr-free cutting with minimum effort using the CUTFOX-CD cable duct cutter
- ✓ Predetermined breaking point enables tool-free, burr-free removal of bars
- ✓ The wide, diagonal heads of the cable duct bars make it easy to fit the cover and hold it securely in place
- ✓ Installed conductors are securely held in place by means of wire retaining clips that can be snapped onto bars on the side
- ✓ Plastic body-bound rivets enable easy fixing of cable ducts using the rivet setting tool



Key Commercial Data

Packing unit	1 pc
Minimum order quantity	15 pc
Custom tariff number	39259020
Country of origin	Germany

Technical data

Dimensions

Length (b)	2000 mm
Width (a)	80 mm
Height	80 mm

General

Color	gray
Components	Lead-free
Flammability rating according to UL 94	V0
Material	PVC

Cable duct - CD 80X40 - 3240335

Classifications

eCl@ss

eCl@ss 4.0	27140602
eCl@ss 4.1	27140602
eCl@ss 5.0	27140602
eCl@ss 5.1	27140602
eCl@ss 6.0	27400703
eCl@ss 7.0	27400703
eCl@ss 8.0	27400703

ETIM

ETIM 3.0	EC000012
ETIM 4.0	EC000012
ETIM 5.0	EC000012

UNSPSC

UNSPSC 6.01	30101815
UNSPSC 7.0901	30101815
UNSPSC 11	30101815
UNSPSC 12.01	30101815
UNSPSC 13.2	30101815

Approvals

Approvals

Approvals

CSA / UL Recognized / VDE Zeichengenehmigung

Ex Approvals

Approvals submitted

Approval details

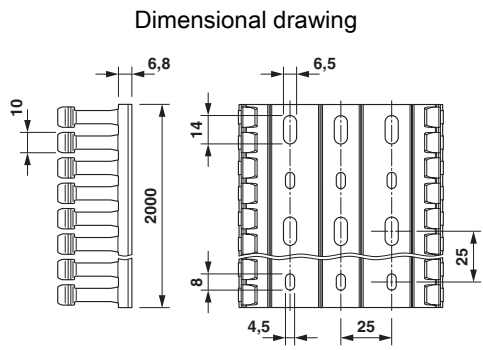


Cable duct - CD 80X40 - 3240335

Approvals



Drawings



Base perforation according to DIN EN 50085