



Chipsmall Limited consists of a professional team with an average of over 10 year of expertise in the distribution of electronic components. Based in Hongkong, we have already established firm and mutual-benefit business relationships with customers from,Europe,America and south Asia,supplying obsolete and hard-to-find components to meet their specific needs.

With the principle of “Quality Parts,Customers Priority,Honest Operation,and Considerate Service”,our business mainly focus on the distribution of electronic components. Line cards we deal with include Microchip,ALPS,ROHM,Xilinx,Pulse,ON,Everlight and Freescale. Main products comprise IC,Modules,Potentiometer,IC Socket,Relay,Connector.Our parts cover such applications as commercial,industrial, and automotives areas.

We are looking forward to setting up business relationship with you and hope to provide you with the best service and solution. Let us make a better world for our industry!



## Contact us

Tel: +86-755-8981 8866 Fax: +86-755-8427 6832

Email & Skype: info@chipsmall.com Web: www.chipsmall.com

Address: A1208, Overseas Decoration Building, #122 Zhenhua RD., Futian, Shenzhen, China



THIS DRAWING IS UNPUBLISHED. RELEASED FOR PUBLICATION  
 © COPYRIGHT 19 BY AMP INCORPORATED. ALL INTERNATIONAL RIGHTS RESERVED.

LOC G DIST 14

P F ZONE LTR

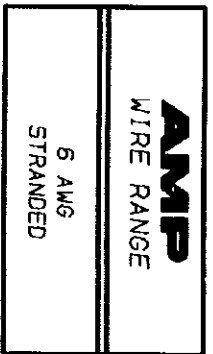
EC 0720-0279-93

DATE 6-18-93 APPD SSB BB

REVISIONS

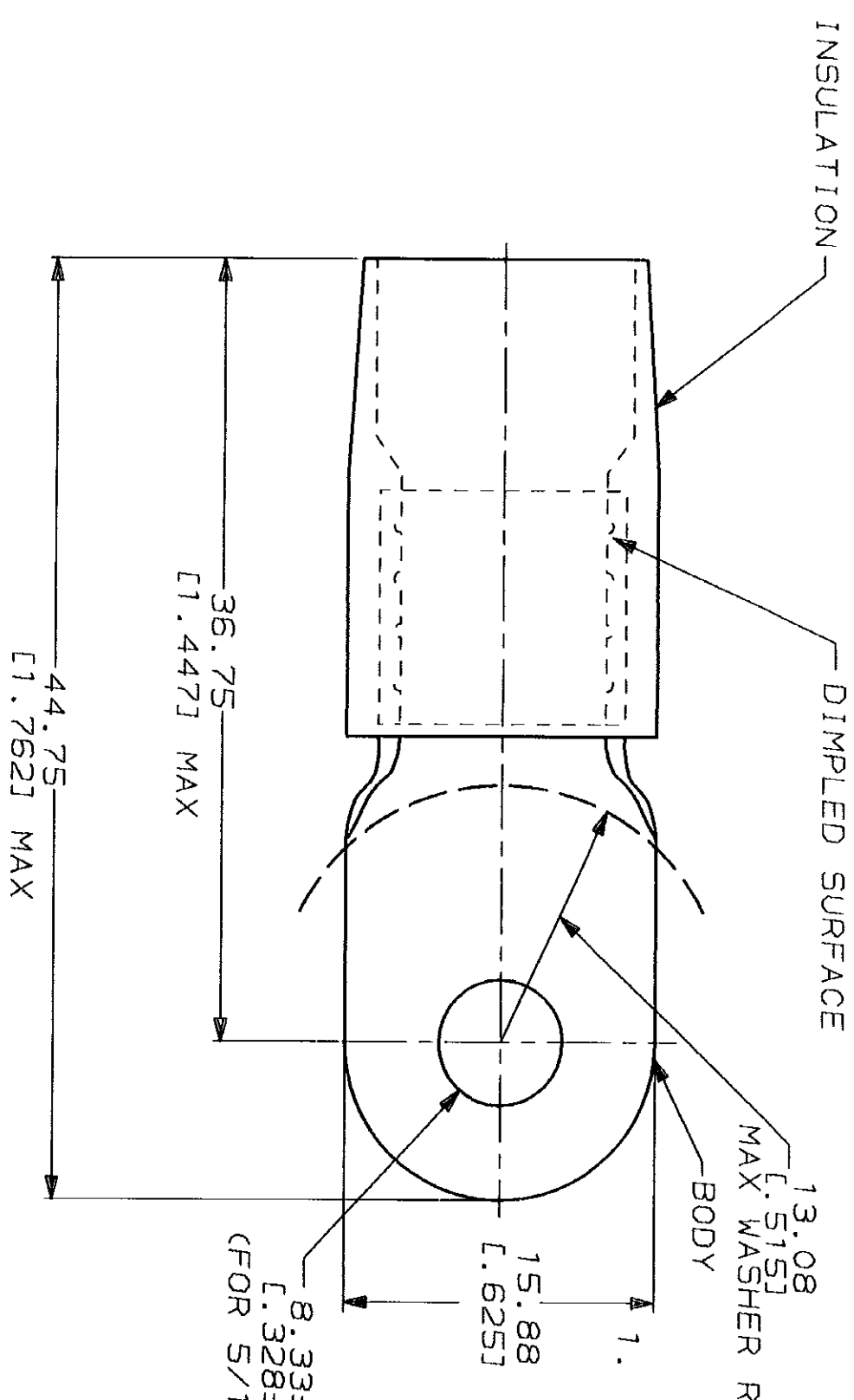
DESCRIPTION

DATE 6-18-93 APPD SSB BB



**METRIOR**  
 DIMENSIONS LISTED IN mm [ INCHES ]

1. TONGUE MATERIAL THK 1.14±0.08 [ 0.045±.003 ]  
 FOR 7.98 [ 0.314 ] MAX WIRE INS DIA



AMP INCORPORATED  
 CUSTOMER SERVICE SYSTEMS

FOR ADDITIONAL PRODUCT INFORMATION OR COPIES OF DRAWINGS AND TECHNICAL DOCUMENTS  
 1-800-522-6752  
 PRODUCT INFORMATION CENTER

FOR APPLICATION TOOLS INFORMATION CENTER  
 1-800-722-1111

FOR ORDER ENTRY  
 1-800-526-5142

MAX RECOMMENDED OPERATING TEMPERATURE: 105°C

VOLTAGE RATING: -

CIRCULAR MIL AREA: 10.5-16.8mm² [20, 800-33, 100] STRANDED

MS25036-121 CLASS 2

MILITARY P/N AND CLASS

DO NOT SCALE PRINT. UNLESS SPECIFIED DIMENSIONS IN MILLIMETERS. TOLERANCES ON: 1. PLC DEC # 0.20 [ 0.008 ] 2. PLC DEC # - 3. ANGLE # -

MATERIAL: COPPER PER ASTM B-152 NYLON (MIL-M-20693) TYPE 1 COLOR: BLUE

FINISH: TIN PLATE PER MIL-T-10727

QTY -

DR 6-18-93 S.S. GOLDEN

CHK 6-18-93 R. HERSEY

APPD 6-18-93 B. BARE

APPD 6-18-93 M. ELLIS

APPLICATION SPEC

PACKAGE TYPE LOOSE PC

AMP

AMP Incorporated

Harrisburg, PA 17105-3608

NAME

TERMINAL, RING TONGUE, TERMINYL WIRE SIZE: 6 AWG

324048

PART NO

AMP Incorporated

Harrisburg, PA 17105-3608

NAME

TERMINAL, RING TONGUE, TERMINYL WIRE SIZE: 6 AWG

324048

DRAWING NO

00779

CAGE CODE

00779

SCALE

NTS

1 OF 1

SHEET

324048

DRAWING NO

00779

SCALE

NTS