



Chipsmall Limited consists of a professional team with an average of over 10 year of expertise in the distribution of electronic components. Based in Hongkong, we have already established firm and mutual-benefit business relationships with customers from,Europe,America and south Asia,supplying obsolete and hard-to-find components to meet their specific needs.

With the principle of “Quality Parts,Customers Priority,Honest Operation,and Considerate Service”,our business mainly focus on the distribution of electronic components. Line cards we deal with include Microchip,ALPS,ROHM,Xilinx,Pulse,ON,Everlight and Freescale. Main products comprise IC,Modules,Potentiometer,IC Socket,Relay,Connector.Our parts cover such applications as commercial,industrial, and automotives areas.

We are looking forward to setting up business relationship with you and hope to provide you with the best service and solution. Let us make a better world for our industry!



## Contact us

Tel: +86-755-8981 8866 Fax: +86-755-8427 6832

Email & Skype: info@chipsmall.com Web: www.chipsmall.com

Address: A1208, Overseas Decoration Building, #122 Zhenhua RD., Futian, Shenzhen, China

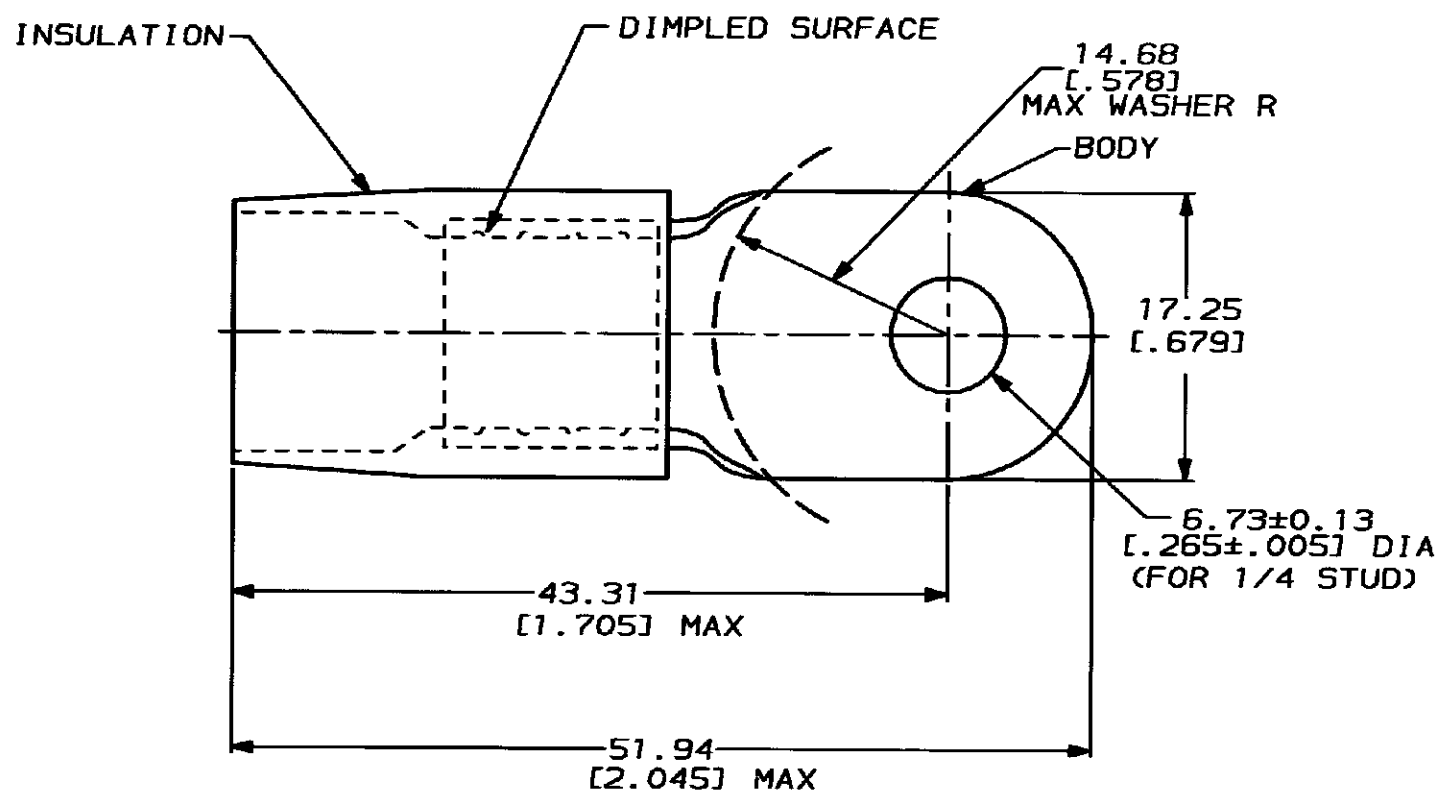


4  
DRAWING MADE IN THIRD ANGLE PROJECTION  
THIS DRAWING IS UNPUBLISHED. RELEASED FOR PUBLICATION .19  
© COPYRIGHT 19 BY AMP INCORPORATED. ALL INTERNATIONAL RIGHTS RESERVED.

LOC	DIST	P	F	ZONE	LTR	DESCRIPTION	DATE	APPD
G	14				J	EC 0720-0279-93	6-21-93	EB

**AMP**  
WIRE RANGE  
2 AWG  
STRANDED

**METRIC**  
DIMENSIONS LISTED IN mm [ INCHES ]



1. TONGUE MATERIAL THK 1.45±0.08 [0.057±0.003]  
FOR 11.89 [0.468] MAX WIRE INS DIA

**AMP INCORPORATED**  
**CUSTOMER SERVICE SYSTEMS**

FOR ADDITIONAL PRODUCT INFORMATION OR COPIES OF DRAWINGS AND TECHNICAL DOCUMENTS	PRODUCT INFORMATION CENTER 1-800-522-6752
FOR APPLICATION TOOLING INFORMATION	TOOLING ASSISTANCE CENTER 1-800-722-1111
FOR ORDER ENTRY	1-800-526-5142

MAX RECOMMENDED OPERATING TEMPERATURE:  
105°C

VOLTAGE RATING:  
-

CIRCULAR MIL AREA:  
26.7-42.4mm² [52,600-83,700]  
STRANDED

MS25035-126 CLASS 2	-	LOOSE PC	324053
MILITARY P/N AND CLASS	QTY	PACKAGE TYPE	PART NO
DO NOT SCALE PRINT. UNLESS SPECIFIED DIMENSIONS ARE GOVERNING TOLERANCES ON: 2 PLC DEC ± 0.20 (0.008) 3 PLC DEC ± - ANGLES ± -	DR 6-21-93 S.S. GOULDEN CHK 6-21-93 R. HERSEY APPD 6-21-93 B. BARE APPD 6-21-93 H. ELLIS	AMP AMP Incorporated Harrisburg, PA 17105-3608	
MATERIAL COPPER PER ASTM B-152 NYLON (MIL-M-20693) TYPE 1 COLOR: RED	PRODUCT SPEC	NAME TERMINAL, RING TONGUE, TERMINYL WIRE SIZE: 2 AWG	
FINISH TIN PLATE PER MIL-T-10727	APPLICATION SPEC	SIZE B	CAGE CODE 00779
	WEIGHT	DRAWING NO C-324053	
		SCALE NTS	SHEET 1 OF 1

THIS DRAWING IS A CONTROLLED DOCUMENT FOR AMP INCORPORATED. IT IS SUBJECT TO CHANGE AND THE CONTROLLING ENGINEERING ORGANIZATION SHOULD BE CONTACTED FOR THE LATEST REVISION.