



Chipsmall Limited consists of a professional team with an average of over 10 year of expertise in the distribution of electronic components. Based in Hongkong, we have already established firm and mutual-benefit business relationships with customers from,Europe,America and south Asia,supplying obsolete and hard-to-find components to meet their specific needs.

With the principle of “Quality Parts,Customers Priority,Honest Operation,and Considerate Service”,our business mainly focus on the distribution of electronic components. Line cards we deal with include Microchip,ALPS,ROHM,Xilinx,Pulse,ON,Everlight and Freescale. Main products comprise IC,Modules,Potentiometer,IC Socket,Relay,Connector.Our parts cover such applications as commercial,industrial, and automotives areas.

We are looking forward to setting up business relationship with you and hope to provide you with the best service and solution. Let us make a better world for our industry!



## Contact us

Tel: +86-755-8981 8866 Fax: +86-755-8427 6832

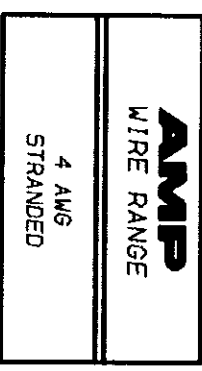
Email & Skype: info@chipsmall.com Web: www.chipsmall.com

Address: A1208, Overseas Decoration Building, #122 Zhenhua RD., Futian, Shenzhen, China



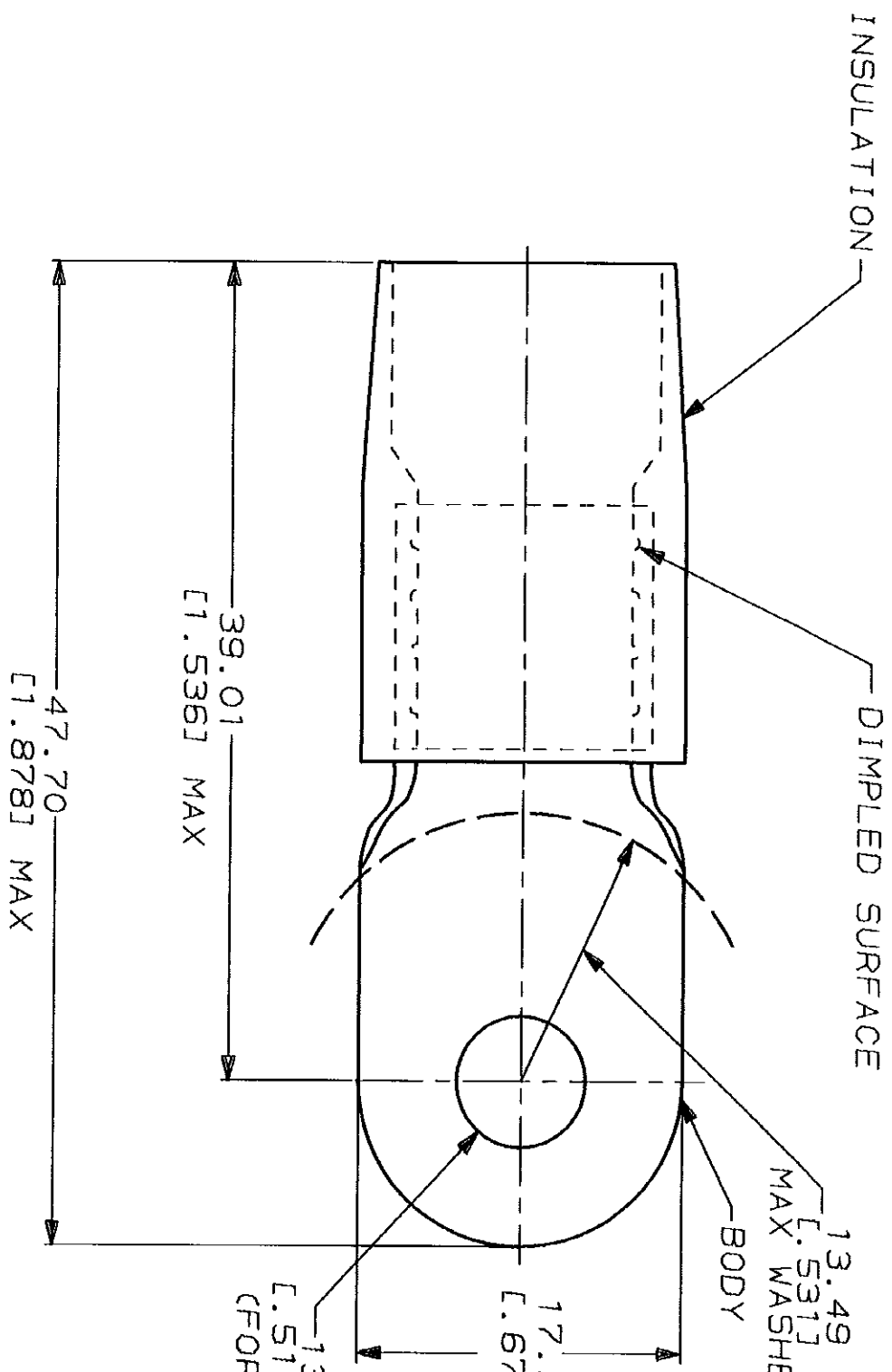
THIS DRAWING IS UNPUBLISHED. RELEASED FOR PUBLICATION BY AMP INCORPORATED. ALL INTERNATIONAL RIGHTS RESERVED.

LOC	DIST	P	F	ZONE	LTR	REVISIONS	DATE	APPD
G	14			G	EC 0720-0279-93		6-18-93	BB



**METRIOR**  
DIMENSIONS LISTED IN mm [ INCHES ]

1. TONGUE MATERIAL THK 1.22±0.08 [ 0.048±.003 ] FOR 9.70 [ 0.382 ] MAX WIRE INS DIA



**AMP INCORPORATED  
CUSTOMER SERVICE SYSTEMS**

FOR ADDITIONAL PRODUCT INFORMATION OR COPIES OF DRAWINGS AND TECHNICAL DOCUMENTS	1-800-522-6752	PRODUCT INFORMATION CENTER
FOR APPLICATION TOOLING INFORMATION	1-800-722-1111	TOOLING ASSISTANCE CENTER
FOR ORDER ENTRY	1-800-526-5142	

MAX RECOMMENDED OPERATING TEMPERATURE:	105 °C
VOLTAGE RATING:	-
CIRCULAR MIL AREA:	16.8-26.7mm² [ 33, 100-52, 600 ] STRANDED

DO NOT SCALE PRINT. UNLESS SPECIFIED OTHERWISE DIMENSIONS IN MILLIMETERS TOLERANCES ON: 2 PLC DEC ± 0.20 [ 0.008 ] 3 PLC DEC ± 0.10 [ 0.004 ] ANGLES ± 0.5°
MATERIAL: COPPER PER ASTM B-152 NYLON (MIL-M-20693) TYPE 1 COLOR: YELLOW
FINISH: TIN PLATE PER MIL-T-10727

DR 6/93 SS GOLDEN	CHK 6/93 R HERSEY	APPD 6/93 B BARE	NAME
QTY -	PACKAGE TYPE	PART NO	AMP Incorporated Harrisburg, PA 17105-3608
TERMINAL, RING TONGUE, TERMINYL WIRE SIZE: 4 AWG	SIZE B	CAGE CODE 00779	DRAWING NO G=324114
SCALE NTS	APPLICATION SPEC	WEIGHT -	SHEET 1 OF 1