



Chipsmall Limited consists of a professional team with an average of over 10 year of expertise in the distribution of electronic components. Based in Hongkong, we have already established firm and mutual-benefit business relationships with customers from,Europe,America and south Asia,supplying obsolete and hard-to-find components to meet their specific needs.

With the principle of “Quality Parts,Customers Priority,Honest Operation,and Considerate Service”,our business mainly focus on the distribution of electronic components. Line cards we deal with include Microchip,ALPS,ROHM,Xilinx,Pulse,ON,Everlight and Freescale. Main products comprise IC,Modules,Potentiometer,IC Socket,Relay,Connector.Our parts cover such applications as commercial,industrial, and automotives areas.

We are looking forward to setting up business relationship with you and hope to provide you with the best service and solution. Let us make a better world for our industry!



Contact us

Tel: +86-755-8981 8866 Fax: +86-755-8427 6832

Email & Skype: info@chipsmall.com Web: www.chipsmall.com

Address: A1208, Overseas Decoration Building, #122 Zhenhua RD., Futian, Shenzhen, China



8

7

6

5

4

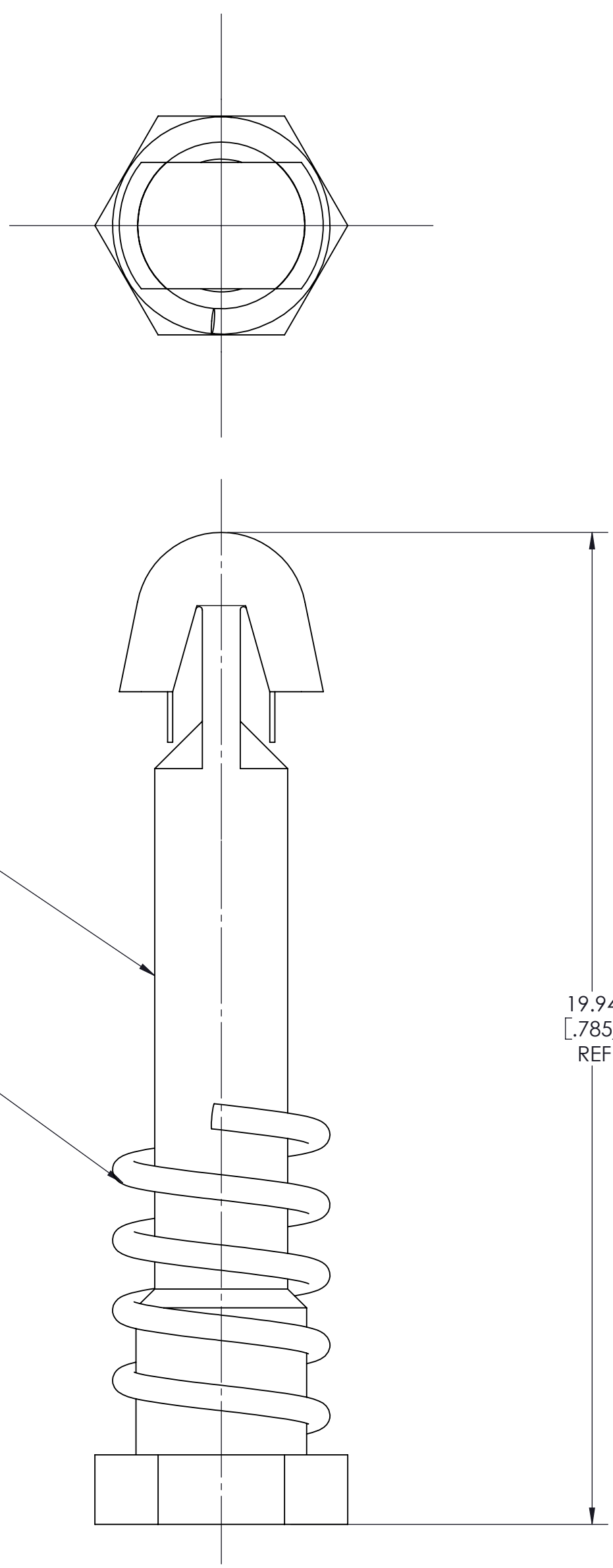
3

2

1

VICOR CONFIDENTIAL
 THIS DOCUMENT AND THE DATA DISCLOSED HEREIN OR
 HEREWITH IS NOT TO BE REPRODUCED, USED OR
 DISCLOSED IN WHOLE OR IN PART TO ANYONE WITHOUT
 THE PERMISSION OF VICOR CORP.

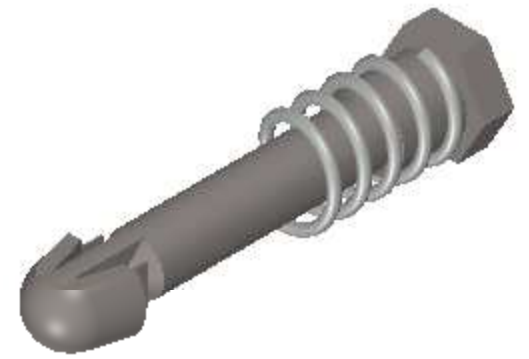
REVISIONS				
REV	DESCRIPTION	DATE	APPROVED	
1	RELEASED PER E063757	04/03/06	RLT	PEI
2	REVISED PER E100991	08/10/10	DCS	KUK



SEE NOTE 1

SPRING RATE = 3.57 N/MM [20.4 LB/IN]

19.94
 [.785]
 REF



- NOTES:
1. FOR A LIST OF PARTS SEE BOM NO. 32437
 2. ITEM 1 IS GRAY.
 3. RoHS COMPLIANT PER CST-0001 LATEST REVISION.

DRAWN	DATE				
D. CVINAR	1/30/06				
MATERIAL	UNLESS OTHERWISE SPECIFIED DIMENSIONS ARE MM [INCH] TOLERANCES ARE: DECIMALS ANGLES X.XX [X.X] = ±0.01 [0.25] ±1° X.XXX [X.XX] = ±0.005 [0.127]	ASSY DWG GRAY PIN VIC JLEAD PUSH PIN (19.9 MM)			
FINISH	THIRD ANGLE PROJECTION DO NOT SCALE DRAWING				
SIZE	CAGE CODE	DWG NO	REV		
C	67131	32433	2		
SCALE 10 : 1			SHEET 1 OF 1		

8

7

6

5

4

3

2

1