



Chipsmall Limited consists of a professional team with an average of over 10 year of expertise in the distribution of electronic components. Based in Hongkong, we have already established firm and mutual-benefit business relationships with customers from,Europe,America and south Asia,supplying obsolete and hard-to-find components to meet their specific needs.

With the principle of "Quality Parts,Customers Priority,Honest Operation,and Considerate Service",our business mainly focus on the distribution of electronic components. Line cards we deal with include Microchip,ALPS,ROHM,Xilinx,Pulse,ON,Everlight and Freescale. Main products comprise IC,Modules,Potentiometer,IC Socket,Relay,Connector.Our parts cover such applications as commercial,industrial, and automotives areas.

We are looking forward to setting up business relationship with you and hope to provide you with the best service and solution. Let us make a better world for our industry!



## Contact us

Tel: +86-755-8981 8866 Fax: +86-755-8427 6832

Email & Skype: info@chipsmall.com Web: www.chipsmall.com

Address: A1208, Overseas Decoration Building, #122 Zhenhua RD., Futian, Shenzhen, China

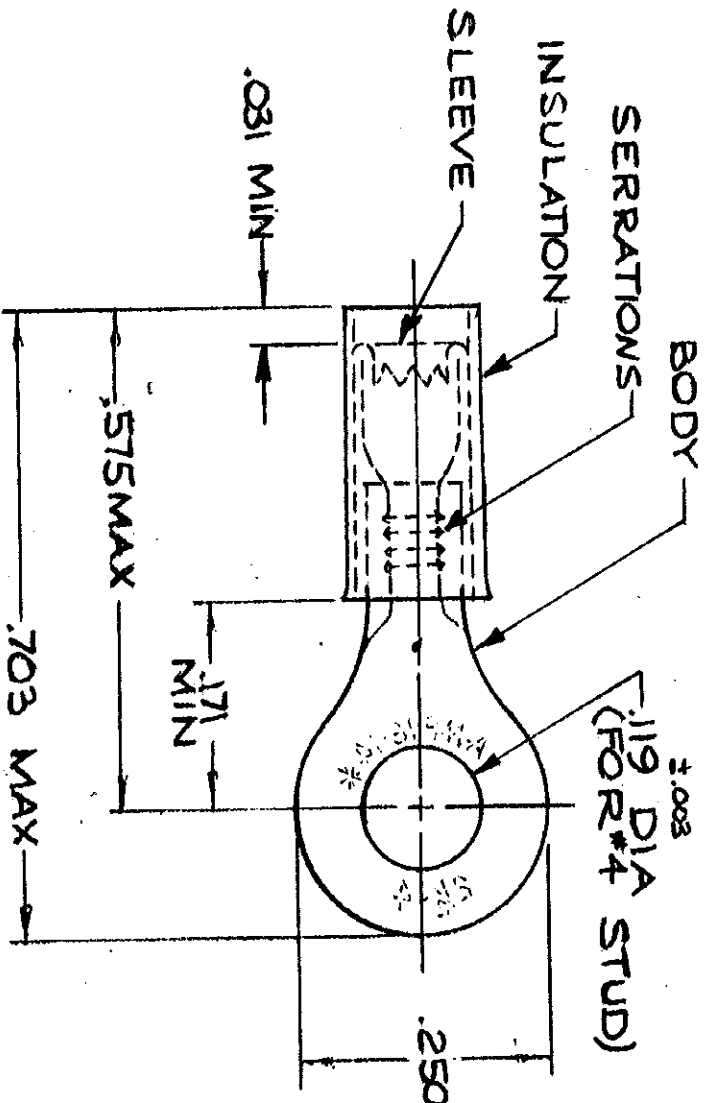


32441

DRAWING MADE IN AMERICAN PROJECTION

© 1955 BY AMP INCORPORATED. ALL RIGHTS RESERVED. AMP PRODUCTS COVERED BY PATENTS AND/OR PATENTS PENDING.

REVISIONS		DATE	APPROVED
LTR	DESCRIPTION		
A	REDRAWN, REVISED TAP NO. R6079	8/22/70	FCY
B	OBsolete 2--1 PER G-3710	5/14/80	AG
C	REVISION PER G-3821	7/13/89	DKS / JST



1. FOR .115 TO .170 WIRE INSULATION DIA.  
 TONGUE MATERIAL THK. = .031 ±.002  
 2. FOREIGN PRODUCTION ONLY

QTY	DESCRIPTION	PART NO:	32441	2
1	ON TAPE WIRE TERMINAL	32441	OBsolete	2
1	32441	OBsolete		
<p>COMPONENTS:</p> <p>DR. <i>[Signature]</i> 2-23-70</p> <p>CHK. <i>[Signature]</i> 2-23-70</p> <p>APPROVED BY: <i>[Signature]</i> 2-23-70</p> <p>DESIGNED BY: <i>[Signature]</i> 2-23-70</p> <p>OTHER APPD</p>				
MATERIAL			NAME	
SEE TABLE			WIRE TERMINAL	
			P. I. D. G. RING TONGUE	
			WIRE SIZE: 16-A	
SIZE			CODE IDENT NO.	NUMBER
A			00779	32441
SCALE: NTS			SHEET 1 OF 1	

BODY: COPPER (QQ-C-570)  
 TIN PL (MIL-T-10727)  
 SLEEVE: COPPER (QQ-C-570)  
 INSULATION: PVC COLOR: BLUE  
 MATERIAL & FINISH



AMP INCORPORATED  
 HARRISBURG, PENNSYLVANIA

CUSTOMER DRAWING