



Chipsmall Limited consists of a professional team with an average of over 10 year of expertise in the distribution of electronic components. Based in Hongkong, we have already established firm and mutual-benefit business relationships with customers from,Europe,America and south Asia,supplying obsolete and hard-to-find components to meet their specific needs.

With the principle of “Quality Parts,Customers Priority,Honest Operation,and Considerate Service”,our business mainly focus on the distribution of electronic components. Line cards we deal with include Microchip,ALPS,ROHM,Xilinx,Pulse,ON,Everlight and Freescale. Main products comprise IC,Modules,Potentiometer,IC Socket,Relay,Connector.Our parts cover such applications as commercial,industrial, and automotives areas.

We are looking forward to setting up business relationship with you and hope to provide you with the best service and solution. Let us make a better world for our industry!



## Contact us

Tel: +86-755-8981 8866 Fax: +86-755-8427 6832

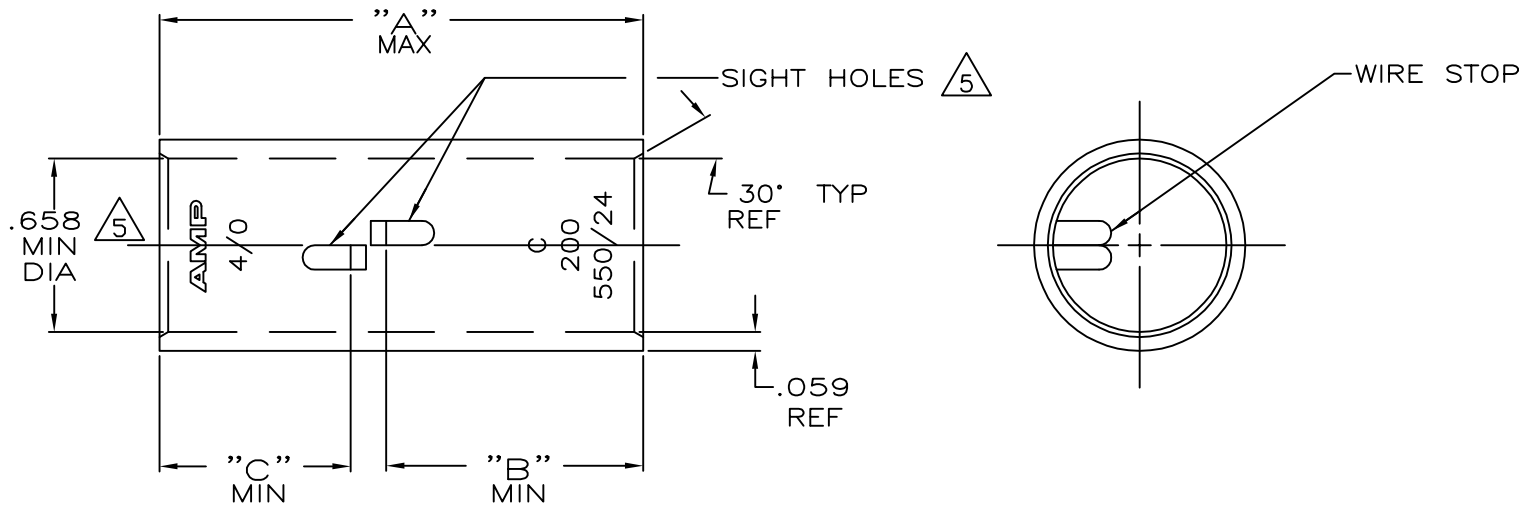
Email & Skype: info@chipsmall.com Web: www.chipsmall.com

Address: A1208, Overseas Decoration Building, #122 Zhenhua RD., Futian, Shenzhen, China



THIS DRAWING IS UNPUBLISHED. RELEASED FOR PUBLICATION  
 © COPYRIGHT - By - ALL RIGHTS RESERVED.

LOC	DIST	REVISIONS					
G	86	P	LTR	DESCRIPTION	DATE	DWN	APVD
		R		ECR-13-000998	09FEB2013	PK	HS



- △1 TIN PL .000150 MIN THK PER ASTM B 545
- △2 PART NO: 324461; .071 LB.  
PART NO: 1-324461-0; .071 LB.  
PART NO: 2-324461-2; .082 LB.  
PART NO: 2-324461-3; .082 LB.
- △3 CLEANED, UNPLATED
- △4 PRELIMINARY - NOT FOR PRODUCTION  
.045 MAX BURR ALLOWED INSIDE THE WIRE BARREL ID IN AREA OF SIGHT HOLE.
- △5

.72	.97	1.89	190,000-	△1	COPPER	2-324461-3
			231,000	△3		ASTM-B-75
.72	.72	1.65	CM	△3	ANNEALED	△4 1-324461-0
				△1		324461
"C"	"B"	"A"	WIRE RANGE	FINISH	MATERIAL	PART No

THIS DRAWING IS A CONTROLLED DOCUMENT.

DWN	DK SCHRUM	4/24/89	<b>TE</b> TE Connectivity
CHK	MS FEHER	4/24/89	
APVD	WJ VOCKROTH	11/8/89	NAME SPLICE, BUTT, AMPPOWER WIRE SIZE: 4/0 AWG
PRODUCT SPEC			
APPLICATION SPEC			SIZE CAGE CODE DRAWING NO A3 00779 C=324461
WEIGHT			
MATERIAL	SEE TABLE	FINISH	RESTRICTED TO
			—
CUSTOMER DRAWING			SCALE 2:1 SHEET 1 OF 1 REV R