



Chipsmall Limited consists of a professional team with an average of over 10 year of expertise in the distribution of electronic components. Based in Hongkong, we have already established firm and mutual-benefit business relationships with customers from,Europe,America and south Asia,supplying obsolete and hard-to-find components to meet their specific needs.

With the principle of “Quality Parts,Customers Priority,Honest Operation,and Considerate Service”,our business mainly focus on the distribution of electronic components. Line cards we deal with include Microchip,ALPS,ROHM,Xilinx,Pulse,ON,Everlight and Freescale. Main products comprise IC,Modules,Potentiometer,IC Socket,Relay,Connector.Our parts cover such applications as commercial,industrial, and automotives areas.

We are looking forward to setting up business relationship with you and hope to provide you with the best service and solution. Let us make a better world for our industry!



## Contact us

Tel: +86-755-8981 8866 Fax: +86-755-8427 6832

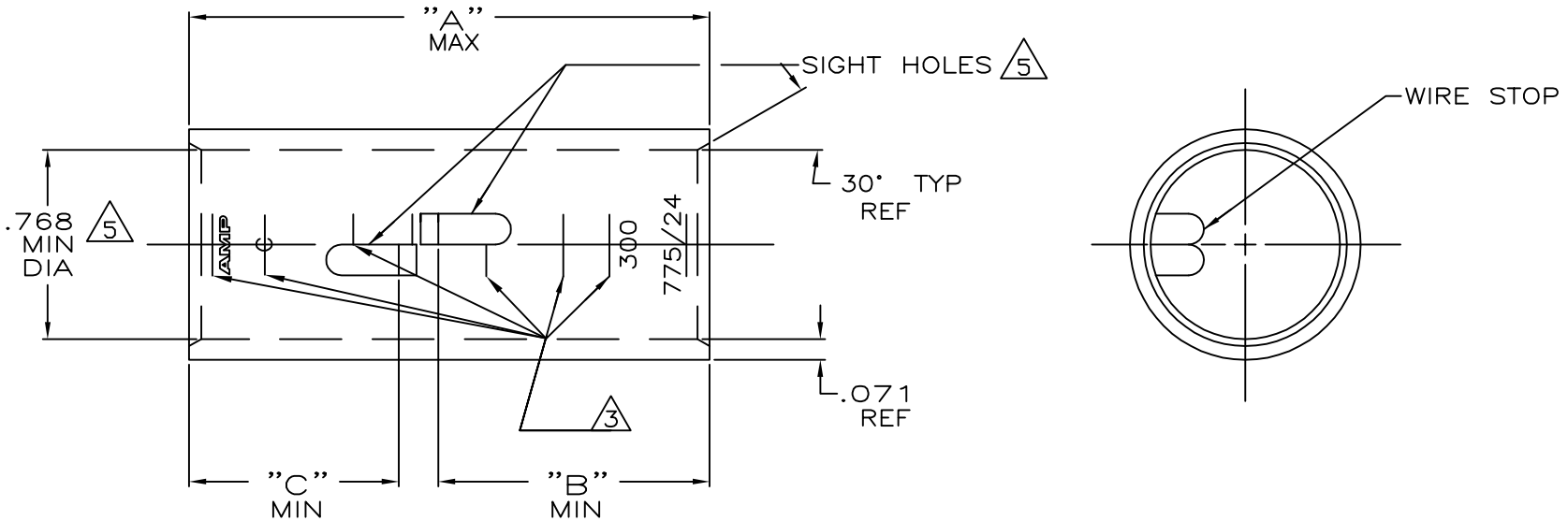
Email & Skype: info@chipsmall.com Web: www.chipsmall.com

Address: A1208, Overseas Decoration Building, #122 Zhenhua RD., Futian, Shenzhen, China



THIS DRAWING IS UNPUBLISHED. RELEASED FOR PUBLICATION  
 © COPYRIGHT - By - ALL RIGHTS RESERVED.

|     |      |           |     |               |           |     |      |
|-----|------|-----------|-----|---------------|-----------|-----|------|
| LOC | DIST | REVISIONS |     |               |           |     |      |
| G   | 86   | P         | LTR | DESCRIPTION   | DATE      | DWN | APVD |
|     |      | U         |     | ECR-13-000998 | 11FEB2013 | PK  | HS   |



- 1 TIN PL .000150 MIN THK PER ASTM B-545
- 2 PART NO: 324463; .116 LB.  
PART NO: 1-324463-0; .116 LB.  
PART NO: 2-324463-5; .132 LB.
- 3 CRIMP LOCATION MARKS ON P/N 2-324463-5 ONLY.
- 4 CLEANED, UNPLATED
- 5 .045 MAX BURR ALLOWED INSIDE THE WIRE BARREL ID IN AREA OF SIGHT HOLE.

|      |     |      |        |   |                |                                 |            |
|------|-----|------|--------|---|----------------|---------------------------------|------------|
| 1.10 | .85 | 2.18 | 1      | 1 | 275-325<br>MCM | COPPER<br>ASTM-B-75<br>ANNEALED | 2-324463-5 |
| .85  | .85 | 1.93 | 2      | 2 |                |                                 | 1-324463-0 |
| "C"  | "B" | "A"  | FINISH |   | WIRE RANGE     | MATERIAL                        | PART No    |

THIS DRAWING IS A CONTROLLED DOCUMENT.

|                  |             |         |
|------------------|-------------|---------|
| DWN              | DK SCHRUM   | 4/24/89 |
| CHK              | MS FEHER    | 4/24/89 |
| APVD             | WJ VOCKROTH | 11/8/89 |
| PRODUCT SPEC     | -           |         |
| APPLICATION SPEC | -           |         |
| WEIGHT           | -           |         |

TE Connectivity

SPLICE, BUTT, AMPPOWER  
WIRE SIZE: 300 MCM

|      |           |            |               |
|------|-----------|------------|---------------|
| SIZE | CAGE CODE | DRAWING NO | RESTRICTED TO |
| A3   | PK        | C=324463   | -             |

CUSTOMER DRAWING

|       |        |     |
|-------|--------|-----|
| SCALE | SHEET  | REV |
| 2:1   | 1 OF 1 | U   |