



Chipsmall Limited consists of a professional team with an average of over 10 year of expertise in the distribution of electronic components. Based in Hongkong, we have already established firm and mutual-benefit business relationships with customers from,Europe,America and south Asia,supplying obsolete and hard-to-find components to meet their specific needs.

With the principle of “Quality Parts,Customers Priority,Honest Operation,and Considerate Service”,our business mainly focus on the distribution of electronic components. Line cards we deal with include Microchip,ALPS,ROHM,Xilinx,Pulse,ON,Everlight and Freescale. Main products comprise IC,Modules,Potentiometer,IC Socket,Relay,Connector.Our parts cover such applications as commercial,industrial, and automotives areas.

We are looking forward to setting up business relationship with you and hope to provide you with the best service and solution. Let us make a better world for our industry!



Contact us

Tel: +86-755-8981 8866 Fax: +86-755-8427 6832

Email & Skype: info@chipsmall.com Web: www.chipsmall.com

Address: A1208, Overseas Decoration Building, #122 Zhenhua RD., Futian, Shenzhen, China



4

3

2

1

THIS DRAWING IS UNPUBLISHED.

RELEASED FOR PUBLICATION

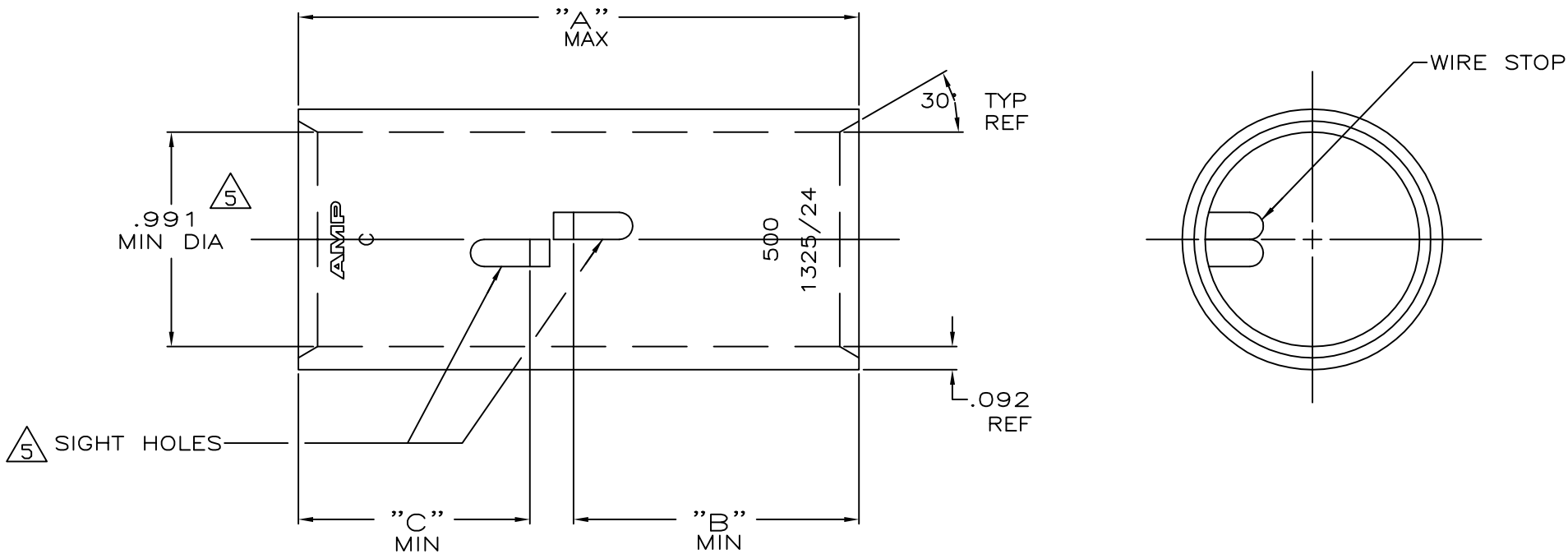
ALL RIGHTS RESERVED.

© COPYRIGHT - By -

LOC G DIST 86

REVISIONS

P	LTR	DESCRIPTION	DATE	DWN	APVD
	R	ECR-13-000998	11FEB2013	PK	HS



- ① TIN PL .000150 MIN THK PER ASTM B 545
- ② PART NO: 324466; .243 LB.
PART NO: 1-324466-0; .243 LB.
PART NO: 2-324466-1; .243 LB.
PART NO: 2-324466-2; .269 LB.
- ③ RED COLOR CODE
- ④ CLEANED, UNPLATED
- ⑤ .045 MAX BURR ALLOWED INSIDE THE WIRE BARREL ID IN AREA OF SIGHT HOLE.

OBSELETE	1.07	1.32	2.64	①	450-550 MCM	COPPER ASTM-B-75 ANNEALED	2-324466-2
	1.07	1.07	2.41	④			
				⑤			1-324466-0
							324466
"C"	"B"	"A"	FINISH	WIRE RANGE	MATERIAL	PART No	

THIS DRAWING IS A CONTROLLED DOCUMENT.

DWN DK SCHRUM 4/24/89	STE TE Connectivity
CHK MS FEHER 4/24/89	
APVD WJ VOCKROTH 11/8/89	NAME
PRODUCT SPEC	SPLICE, BUTT, AMPPOWER WIRE SIZE: 500 MCM
APPLICATION SPEC	SIZE A3 CAGE CODE 00779 DRAWING NO C=324466
WEIGHT	RESTRICTED TO
FINISH SEE TABLE	CUSTOMER DRAWING
MATERIAL SEE TABLE	SCALE 2:1 SHEET 1 OF 1 REV R