



Chipsmall Limited consists of a professional team with an average of over 10 year of expertise in the distribution of electronic components. Based in Hongkong, we have already established firm and mutual-benefit business relationships with customers from,Europe,America and south Asia,supplying obsolete and hard-to-find components to meet their specific needs.

With the principle of "Quality Parts,Customers Priority,Honest Operation,and Considerate Service",our business mainly focus on the distribution of electronic components. Line cards we deal with include Microchip,ALPS,ROHM,Xilinx,Pulse,ON,Everlight and Freescale. Main products comprise IC,Modules,Potentiometer,IC Socket,Relay,Connector.Our parts cover such applications as commercial,industrial, and automotives areas.

We are looking forward to setting up business relationship with you and hope to provide you with the best service and solution. Let us make a better world for our industry!



Contact us

Tel: +86-755-8981 8866 Fax: +86-755-8427 6832

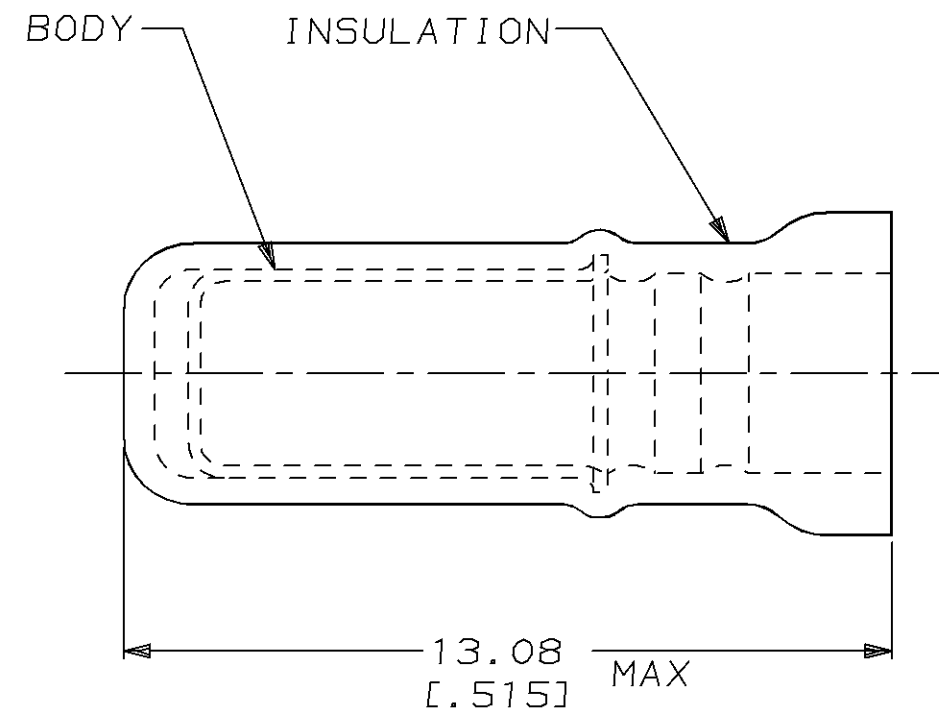
Email & Skype: info@chipsmall.com Web: www.chipsmall.com

Address: A1208, Overseas Decoration Building, #122 Zhenhua RD., Futian, Shenzhen, China

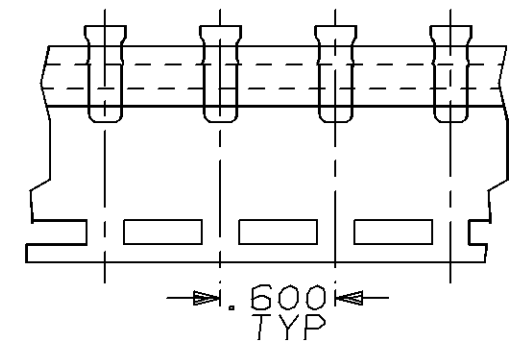


THIS DRAWING IS UNPUBLISHED. RELEASED FOR PUBLICATION ,19 .
 © COPYRIGHT 19 BY AMP INCORPORATED. ALL RIGHTS RESERVED.

LOC	DIST	REVISIONS					
		P	LTR	DESCRIPTION	DATE	DWN	APVD
G	14		N	REV / REDRAWN / 0720-0482-95 & 0720-0002-95	14FEB95	LO	ME



1. USE FOR AN UNSTRIPPED (SINGLE) WIRE END ONLY
2. WIRE INSUL DIA, 2.03-2.92 [0.080-.115]



SPARE WIRE CAPS ON TAPE
(SCALE 1:1)

QTY	PACKAGE TYPE	PART NO
100	LOOSE PIECE, BOX	8-324485-1
4000	ON TAPE, REEL	2-324485-1
1000	LOOSE PIECE	324485

**AMP INCORPORATED
CUSTOMER SERVICE SYSTEM**

FOR ADDITIONAL PRODUCT INFORMATION OR COPIES OF DRAWINGS AND TECHNICAL DOCUMENTS	PRODUCT INFORMATION CENTER 1-800-522-6752
FOR APPLICATION TOOLING INFORMATION	TOOLING ASSISTANCE CENTER 1-800-722-1111
FOR ORDER ENTRY	1-800-526-5142

MAX RECOMMENDED OPERATING TEMPERATURE:
105°C [221°F]

VOLTAGE RATING:
-

CIRCULAR MIL AREA:
-

THIS DRAWING IS A CONTROLLED DOCUMENT FOR AMP INCORPORATED. IT IS SUBJECT TO CHANGE AND THE CONTROLLING ENGINEERING ORGANIZATION SHOULD BE CONTACTED FOR THE LATEST REVISION.

DIMENSIONS:	TOLERANCES UNLESS OTHERWISE SPECIFIED.
mm [in]	
	0 PLC ±-
	1 PLC ±-
	2 PLC ±0.20 [0.008]
	3 PLC ±-
	4 PLC ±-
ANGLES	±-

MATERIAL BODY, CU PER ASTM B152
INSUL, NYLON, COLOR, RED

FINISH BODY, TIN PLATE
PER MIL-T-10727

DWN L OLMEDA 14FEB95	AMP AMP Incorporated Harrisburg, PA 17105-3608
CHK M ELLIS 14FEB95	
APVD T MICHIELUTTI 14FEB95	
NAME	
PRODUCT SPEC	SPARE WIRE CAP, RED
APPLICATION SPEC	
WEIGHT -	SIZE A3 CAGE CODE 00779 DRAWING NO C-324485
CUSTOMER DRAWING	SCALE 8:1 SHEET 1 OF 1 REV N