



Chipsmall Limited consists of a professional team with an average of over 10 year of expertise in the distribution of electronic components. Based in Hongkong, we have already established firm and mutual-benefit business relationships with customers from,Europe,America and south Asia,supplying obsolete and hard-to-find components to meet their specific needs.

With the principle of “Quality Parts,Customers Priority,Honest Operation,and Considerate Service”,our business mainly focus on the distribution of electronic components. Line cards we deal with include Microchip,ALPS,ROHM,Xilinx,Pulse,ON,Everlight and Freescale. Main products comprise IC,Modules,Potentiometer,IC Socket,Relay,Connector.Our parts cover such applications as commercial,industrial, and automotives areas.

We are looking forward to setting up business relationship with you and hope to provide you with the best service and solution. Let us make a better world for our industry!



## Contact us

Tel: +86-755-8981 8866 Fax: +86-755-8427 6832

Email & Skype: info@chipsmall.com Web: www.chipsmall.com

Address: A1208, Overseas Decoration Building, #122 Zhenhua RD., Futian, Shenzhen, China



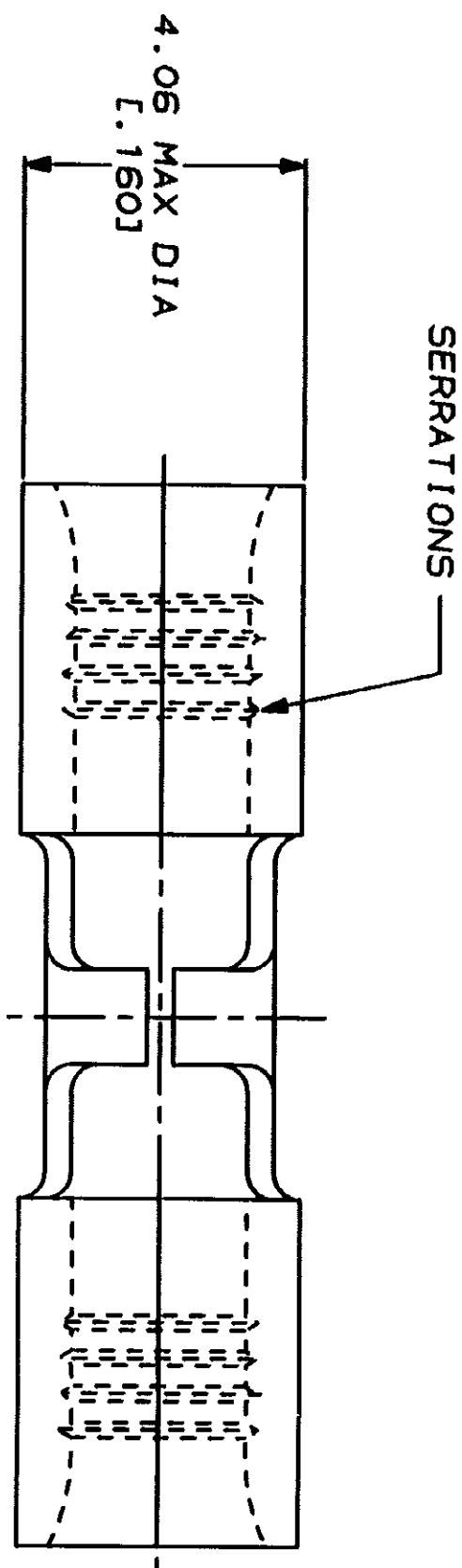
THIS DRAWING IS UNPUBLISHED. **RELEASED FOR PUBLICATION** BY AMP INCORPORATED. ALL INTERNATIONAL RIGHTS RESERVED. © COPYRIGHT 1993

DOC	DIST	REV	DATE	APPD
G	14	A	REVISED PER 0720-0230-93	JL HECKLEY

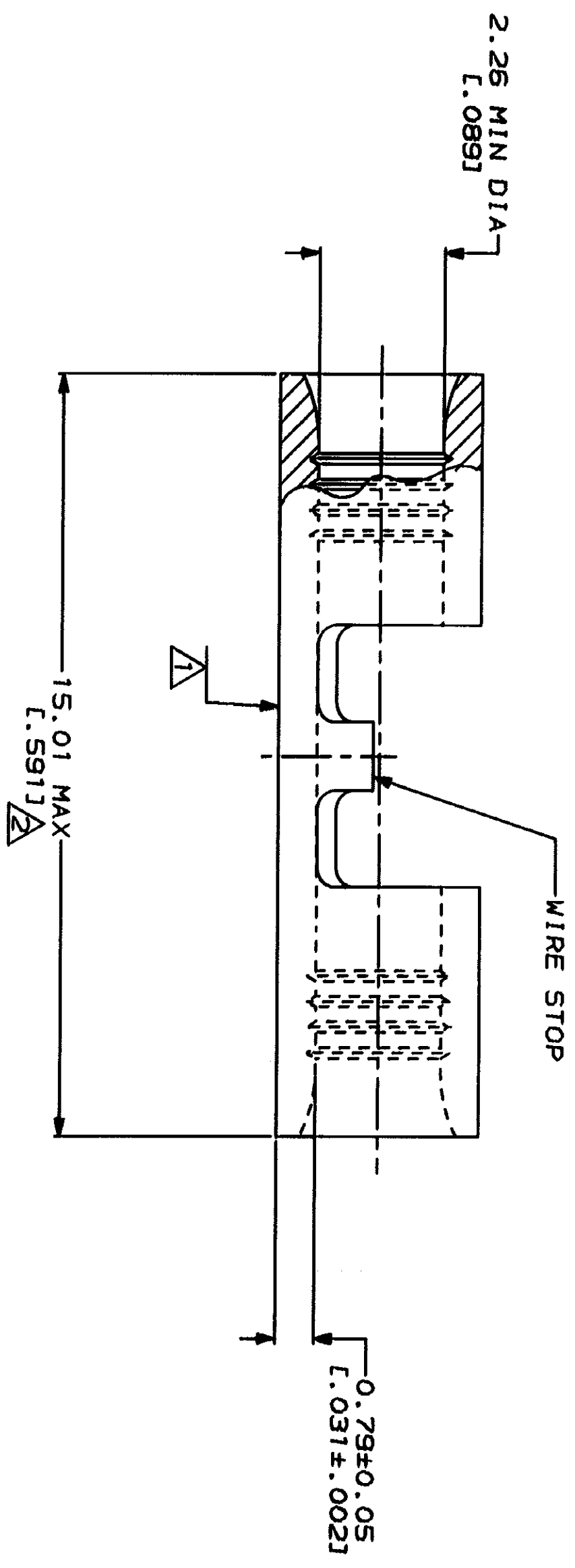
REVISIONS	DESCRIPTION	DATE	APPD
1	REVISED PER 0720-0230-93	07/20/93	JL HECKLEY

**METPRIO**  
DIMENSIONS LISTED IN mm [ INCHES ]

<b>AMP</b> WIRE RANGE 16-14 AWG STRANDED	<b>UL</b> E13288 Listed
<b>LR7189</b> Certified	MILITARY P/N AND CLASS
NOT CERTIFIED	NOT APPLICABLE



⚠ STAMP AMP 16-14\* APPROX AS SHOWN  
MAXIMUM LENGTH DOES NOT INCLUDE  
MANUFACTURING TABS



**AMP INCORPORATED**  
CUSTOMER SERVICE SYSTEMS

FOR ADDITIONAL  
PRODUCT INFORMATION OR  
COPIES OF DRAWINGS  
AND TECHNICAL DOCUMENTS  
1-800-522-6752

FOR APPLICATION  
TOOLING INFORMATION  
1-800-722-1111

FOR ORDER ENTRY  
1-800-526-5142

MAX RECOMMENDED OPERATING  
TEMPERATURE:  
170°C MAX

VOLTAGE RATING:  
NOT APPLICABLE

WIRE CROSS SECTIONAL AREA RANGE:  
1.04-2.62mm<sup>2</sup> (2,050-5,180) CIR MILS  
STRANDED

THIS DRAWING IS A CONTROLLED DOCUMENT FOR AMP AND IS SUBJECT TO CHANGE WITHOUT NOTICE. IT IS THE USER'S RESPONSIBILITY TO VERIFY THE LATEST VERSION SHOULD BE CONSULTED FOR THE LATEST VERSION.

DO NOT SCALE PRINT.  
UNLESS SPECIFIED  
DIMENSIONS IN - DIMENSIONS  
TOLERANCES ON -  
2 PLG DEC ± -  
3 PLG DEC ± -  
ANGLES

MATERIAL  
COPPER PER  
ASTM B-152  
ANNEALED

FINISH  
TIN PLATE  
0.00254L.0001001 MIN  
THK PER MIL-T-10727

DR 3-1-93  
TA BRINKMAN

CHK 3-1-93  
DA PATTERSON

APPD 3-1-93  
DE MILLER

APPD 3-1-93  
JL HECKLEY

PRODUCT SPEC  
APPLICATION SPEC  
WEIGHT -

**AMP**  
AMP Incorporated  
Harrisburg, PA 17105-3508

NAME  
SPLICE, BUTT,  
STRAP, BUDGET

SIZE  
CAGE CODE  
00779

SCALE 10:1  
DRAWING NO  
32464  
SHEET 1 OF 1

CUSTOMER DRAWING