



Chipsmall Limited consists of a professional team with an average of over 10 year of expertise in the distribution of electronic components. Based in Hongkong, we have already established firm and mutual-benefit business relationships with customers from,Europe,America and south Asia,supplying obsolete and hard-to-find components to meet their specific needs.

With the principle of “Quality Parts,Customers Priority,Honest Operation,and Considerate Service”,our business mainly focus on the distribution of electronic components. Line cards we deal with include Microchip,ALPS,ROHM,Xilinx,Pulse,ON,Everlight and Freescale. Main products comprise IC,Modules,Potentiometer,IC Socket,Relay,Connector.Our parts cover such applications as commercial,industrial, and automotives areas.

We are looking forward to setting up business relationship with you and hope to provide you with the best service and solution. Let us make a better world for our industry!



Contact us

Tel: +86-755-8981 8866 Fax: +86-755-8427 6832

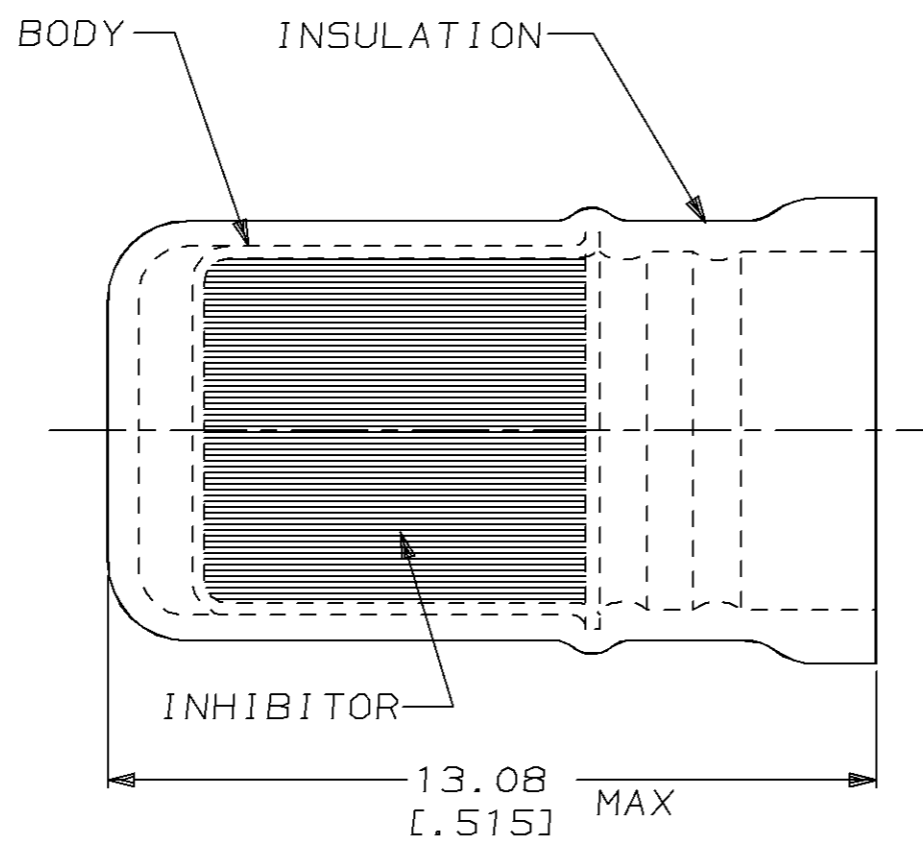
Email & Skype: info@chipsmall.com Web: www.chipsmall.com

Address: A1208, Overseas Decoration Building, #122 Zhenhua RD., Futian, Shenzhen, China



THIS DRAWING IS UNPUBLISHED. RELEASED FOR PUBLICATION ,19 .
 © COPYRIGHT 19 BY AMP INCORPORATED. ALL RIGHTS RESERVED.

LOC	DIST	REVISIONS			
P	LTR	DESCRIPTION	DATE	DWN	APVD
G	14				
	K	REV / REDRAWN / 0720-0482-95 & 0720-0002-95	14FEB95	LO	ME



1. USE FOR AN UNSTRIPPED (SINGLE) WIRE END ONLY
2. WIRE INSUL DIA, 3.81-5.33 [0.150-.210]

-	-	-
-	-	-
1000	LOOSE PIECE	324696
QTY	PACKAGE TYPE	PART NO

AMP INCORPORATED CUSTOMER SERVICE SYSTEM		MAX RECOMMENDED OPERATING TEMPERATURE: 105°C [221°F]	THIS DRAWING IS A CONTROLLED DOCUMENT FOR AMP INCORPORATED. IT IS SUBJECT TO CHANGE AND THE CONTROLLING ENGINEERING ORGANIZATION SHOULD BE CONTACTED FOR THE LATEST REVISION.		DWN L OLMEDA 14FEB95	AMP Incorporated Harrisburg, PA 17105-3608
FOR ADDITIONAL PRODUCT INFORMATION OR COPIES OF DRAWINGS AND TECHNICAL DOCUMENTS	PRODUCT INFORMATION CENTER 1-800-522-6752		DIMENSIONS: mm [in]	TOLERANCES UNLESS OTHERWISE SPECIFIED:	CHK M ELLIS 14FEB95	
FOR APPLICATION TOOLING INFORMATION	TOOLING ASSISTANCE CENTER 1-800-722-1111	VOLTAGE RATING: -	0 PLC ±-	1 PLC ±-	2 PLC ±0.20 [0.008]	NAME SPARE WIRE CAP, MOISTURE RESISTANT, YELLOW
FOR ORDER ENTRY	1-800-526-5142	CIRCULAR MIL AREA: -	3 PLC ±-	4 PLC ±-	ANGLES ±-	SIZE A3
			MATERIAL BODY, CU PER ASTM B152	FINISH BODY, TIN PLATE PER MIL-T-10727	PRODUCT SPEC -	CAGE CODE 00779
			INSUL, NYLON, COLOR, YELLOW		APPLICATION SPEC -	DRAWING NO C-324696
					WEIGHT -	SCALE 8:1
					CUSTOMER DRAWING	SHEET 1 OF 1
						REV K