

Chipsmall Limited consists of a professional team with an average of over 10 year of expertise in the distribution of electronic components. Based in Hongkong, we have already established firm and mutual-benefit business relationships with customers from,Europe,America and south Asia,supplying obsolete and hard-to-find components to meet their specific needs.

With the principle of “Quality Parts,Customers Priority,Honest Operation,and Considerate Service”,our business mainly focus on the distribution of electronic components. Line cards we deal with include Microchip,ALPS,ROHM,Xilinx,Pulse,ON,Everlight and Freescale. Main products comprise IC,Modules,Potentiometer,IC Socket,Relay,Connector.Our parts cover such applications as commercial,industrial, and automotives areas.

We are looking forward to setting up business relationship with you and hope to provide you with the best service and solution. Let us make a better world for our industry!



Contact us

Tel: +86-755-8981 8866 Fax: +86-755-8427 6832

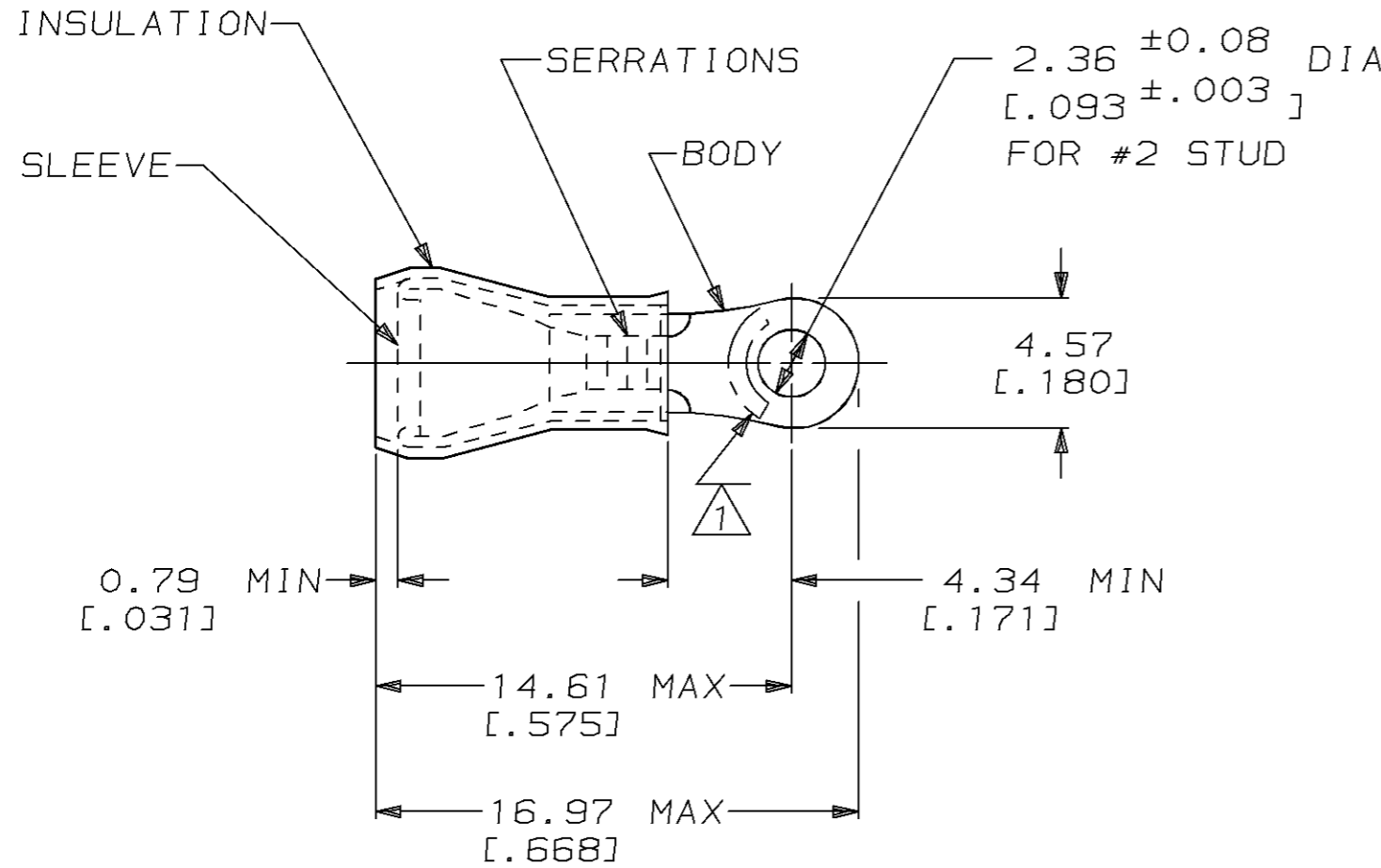
Email & Skype: info@chipsmall.com Web: www.chipsmall.com

Address: A1208, Overseas Decoration Building, #122 Zhenhua RD., Futian, Shenzhen, China

THIS DRAWING IS UNPUBLISHED. RELEASED FOR PUBLICATION, 19
 © COPYRIGHT 19 BY AMP INCORPORATED. ALL INTERNATIONAL RIGHTS RESERVED.

LOC	DIST	P	F	REVISIONS				
G	14			ZONE	LTR	DESCRIPTION	DATE	APPD
					E	REV / 0L20-0025-97	30JAN97	ME TM

AMP WIRE RANGE	UL Listed	SR LR7189 Certified
1.04-2.62mm ² [16-14] AWG SOLID OR STRANDED	1.04-2.62mm ² [16-14] AWG SOLID OR STRANDED	1.04-2.62mm ² [16-14] AWG SOLID OR STRANDED



- 1 STAMP AMP 16-14* 2½-4 APPROX AS SHOWN
- 2 WIRE INSULATION DIA: .115 - .170
- 3 TONGUE MATERIAL THK: 0.78^{+0.51} [.031^{±.002}]

AMP INCORPORATED CUSTOMER SERVICE SYSTEMS		MAX RECOMMENDED OPERATING TEMPERATURE: 105°C MAX	DO NOT SCALE PRINT, UNLESS SPECIFIED DIMENSIONS IN mm [INCHES] TOLERANCES ON: 2 PLC DEC ± 0.20 [.008] 3 PLC DEC ± - ANGLES ± -	DR 10/9/92 DK SCHRUM	QUANTITY	5,000	ON TAPE, REEL	2-324993-1	
				CHK 10/12/92 ML ELLIS		-	LOOSE PIECE	324993	
FOR ADDITIONAL PRODUCT INFORMATION OR COPIES OF DRAWINGS AND TECHNICAL DOCUMENTS	PRODUCT INFORMATION CENTER 1-800-522-6752	VOLTAGE RATING: 300 V MAX	MATERIAL COPPER ASTM B-152 SLEEVE, BLUE NYLON	APPD 10/12/92 BR BARE	PACKAGE TYPE		PART NO		
FOR APPLICATION TOOLING INFORMATION	CUSTOMER SERVICE HOTLINE 1-800-722-1111	CIRCULAR MIL AREA: 2,050-5,180 SOLID OR STRANDED	FINISH TIN PLATE PER MIL-T-10727	APPD 10/12/92 M BARNABA	NAME		AMP AMP Incorporated Harrisburg, PA 17105-3608		
FOR ORDER ENTRY	1-800-526-5142	THIS DRAWING IS A CONTROLLED DOCUMENT FOR AMP INCORPORATED. IT IS SUBJECT TO CHANGE AND THE CONTROLLING ENGINEERING ORGANIZATION SHOULD BE CONTACTED FOR THE LATEST REVISION.		PRODUCT SPEC UL 486A	TERMINAL, RING TONGUE, PIDG™. WIRE SIZE, 16-14 AWG				
				APPLICATION SPEC NOT AVAILABLE	SIZE	CAGE CODE	DRAWING NO		
				WEIGHT -	B	00779	C -324993	SCALE	1 OF 1