



Chipsmall Limited consists of a professional team with an average of over 10 year of expertise in the distribution of electronic components. Based in Hongkong, we have already established firm and mutual-benefit business relationships with customers from,Europe,America and south Asia,supplying obsolete and hard-to-find components to meet their specific needs.

With the principle of “Quality Parts,Customers Priority,Honest Operation,and Considerate Service”,our business mainly focus on the distribution of electronic components. Line cards we deal with include Microchip,ALPS,ROHM,Xilinx,Pulse,ON,Everlight and Freescale. Main products comprise IC,Modules,Potentiometer,IC Socket,Relay,Connector.Our parts cover such applications as commercial,industrial, and automotives areas.

We are looking forward to setting up business relationship with you and hope to provide you with the best service and solution. Let us make a better world for our industry!



Contact us

Tel: +86-755-8981 8866 Fax: +86-755-8427 6832

Email & Skype: info@chipsmall.com Web: www.chipsmall.com

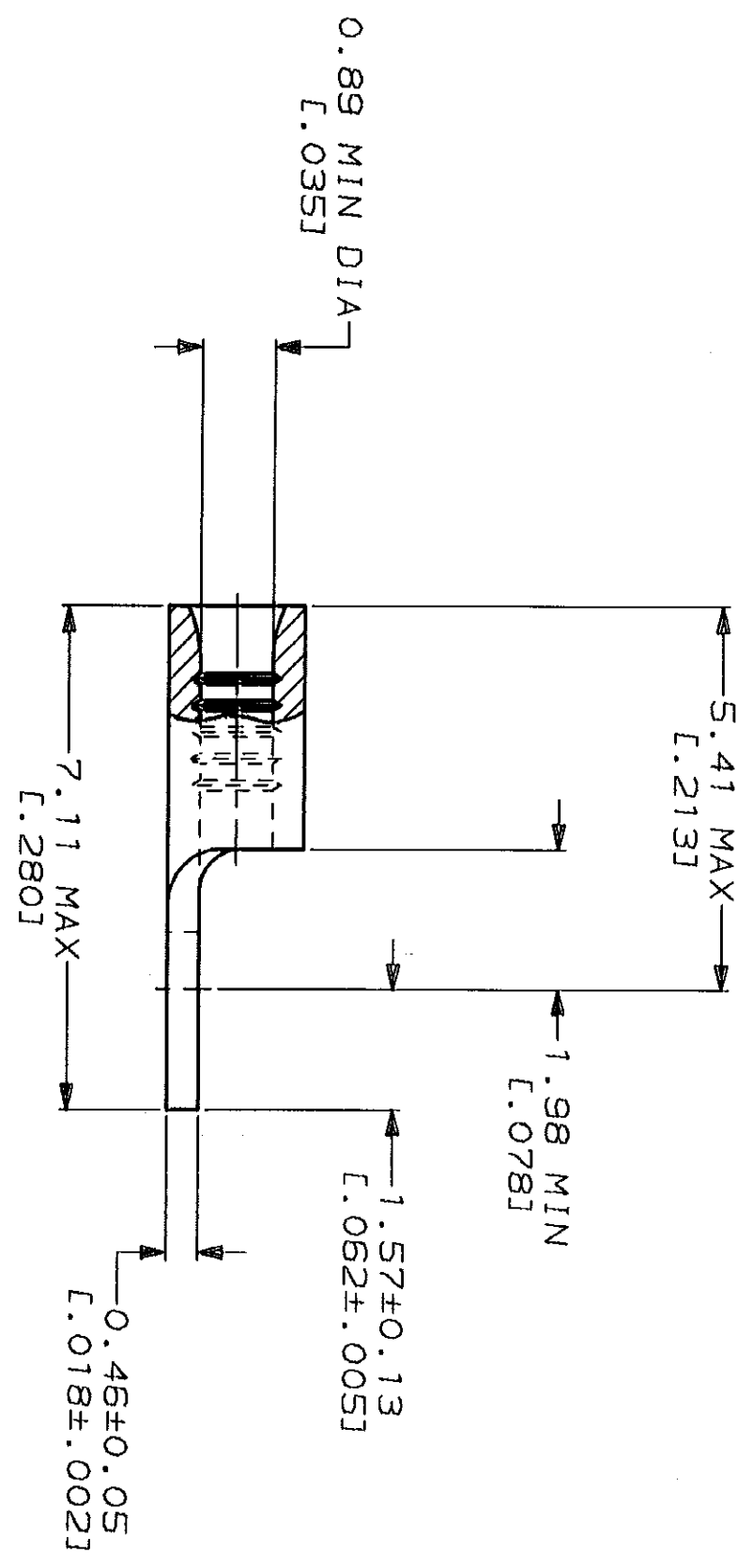
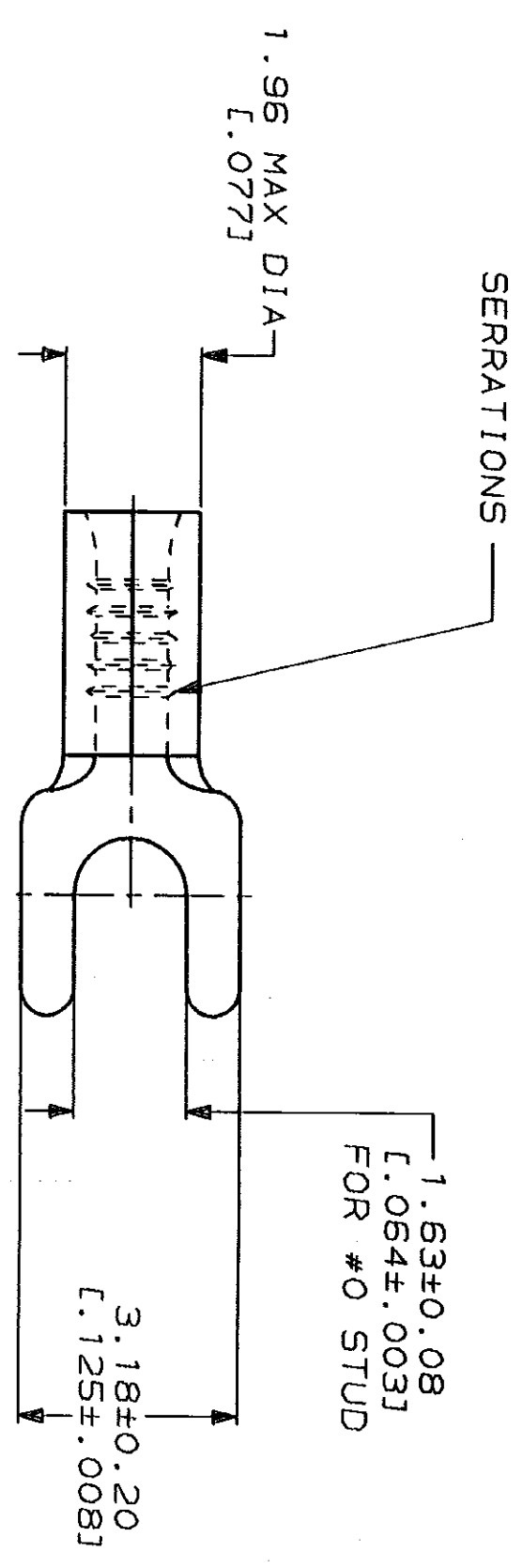
Address: A1208, Overseas Decoration Building, #122 Zhenhua RD., Futian, Shenzhen, China



LOC	QTY	REV	ZONE	LTR	DESCRIPTION	DATE	APPD
G	14				RELEASED PER 0720-0008-93	2-16-93	JL DAP

METRIC
DIMENSIONS LISTED IN mm [INCHES]

AMP WIRE RANGE	IL E13288 Listed
26-22 AWG STRANDED	NOT LISTED
IL LR2189 Certified	MILITARY P/N AND CLASS
NOT CERTIFIED	NOT APPLICABLE



**AMP INCORPORATED
CUSTOMER SERVICE SYSTEMS**

FOR ADDITIONAL PRODUCT INFORMATION OR COPIES OF DRAWINGS AND TECHNICAL DOCUMENTS	PRODUCT INFORMATION CENTER 1-800-522-6752
FOR APPLICATION TOOLING INFORMATION	TOOLING ASSISTANCE CENTER 1-800-722-1111
FOR ORDER ENTRY	1-800-526-5142

MAX RECOMMENDED OPERATING TEMPERATURE: 170°C MAX
VOLTAGE RATING: NOT APPLICABLE
WIRE CROSS SECTIONAL AREA RANGE: 0.1-0.41 mm² [202-810] CIR MILS STRANDED

DO NOT SCALE PRINT. UNLESS SPECIFIED DIMENSIONS IN mm [INCHES] TOLERANCES ON:
2 PLC DEC # -
3 PLC DEC # -
ANGLES -
MATERIAL COPPER PER ASTM B-152 ANNEALED
FINISH TIN PLATE
0.00254 [L.000100] MIN THK PER MIL-T-10727

DR 2-16-93 TA BRINKMAN	NAME
CHK 2-16-93 DA PATTERSON	AMP Incorporated Harrisburg, PA 17105-3608
APPD 2-16-93 DE MILLER	TERMINAL, SPADE TONGUE, BUDGET
APPD 2-16-93 JL MECKLEY	
PRODUCT SPEC	
APPLICATION SPEC	
WEIGHT	

SIZE	CAGE CODE	DRAWING NO
G	00779	G-32501
SCALE	10:1	SHEET
		1 OF 1

PART NO
32501