



Chipsmall Limited consists of a professional team with an average of over 10 year of expertise in the distribution of electronic components. Based in Hongkong, we have already established firm and mutual-benefit business relationships with customers from,Europe,America and south Asia,supplying obsolete and hard-to-find components to meet their specific needs.

With the principle of “Quality Parts,Customers Priority,Honest Operation,and Considerate Service”,our business mainly focus on the distribution of electronic components. Line cards we deal with include Microchip,ALPS,ROHM,Xilinx,Pulse,ON,Everlight and Freescale. Main products comprise IC,Modules,Potentiometer,IC Socket,Relay,Connector.Our parts cover such applications as commercial,industrial, and automotives areas.

We are looking forward to setting up business relationship with you and hope to provide you with the best service and solution. Let us make a better world for our industry!



Contact us

Tel: +86-755-8981 8866 Fax: +86-755-8427 6832

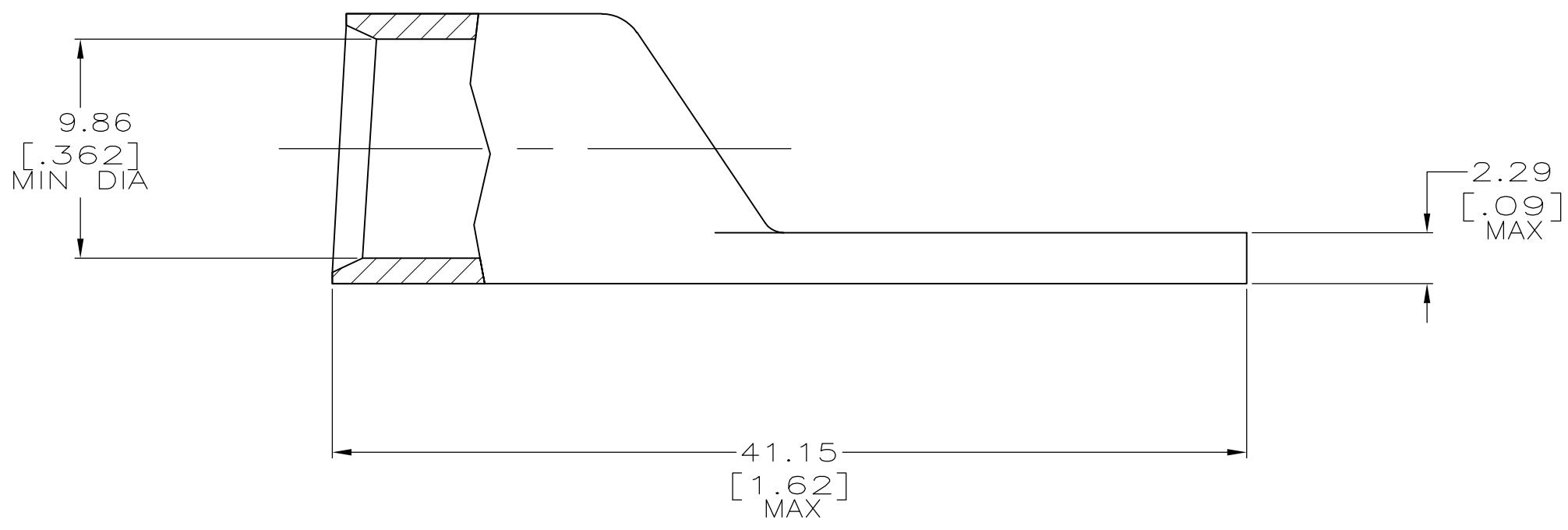
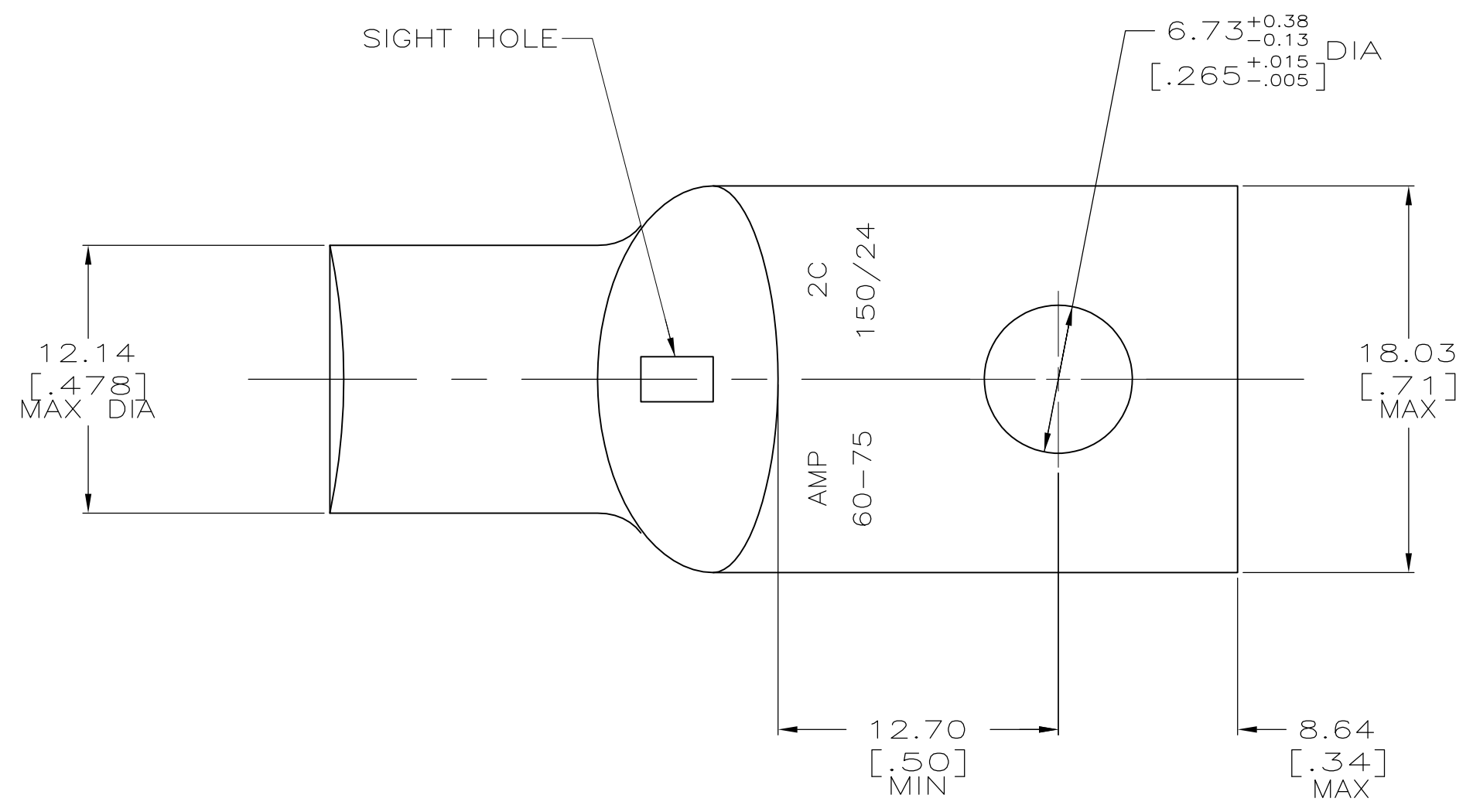
Email & Skype: info@chipsmall.com Web: www.chipsmall.com

Address: A1208, Overseas Decoration Building, #122 Zhenhua RD., Futian, Shenzhen, China



THIS DRAWING IS UNPUBLISHED. RELEASED FOR PUBLICATION
 © COPYRIGHT - By - ALL RIGHTS RESERVED.

LOC	DIST	REVISIONS			
P	LTR	DESCRIPTION	DATE	OWN	APVD
G	86	V2	REVISED PER ECO-11-004917	11MAR11	RK HMR



1 CIRCULAR MIL AREA RANGE: 52,600-83,700 CM
 2 TIN PL 0.00381[.000150] MIN THK PER MIL-T-10727

325201
 PART NO.

THIS DRAWING IS A CONTROLLED DOCUMENT.		DWN DK SCHRUM 04/05/90	TE Connectivity	
DIMENSIONS: mm[INCHES]		CHK MS FEHER 18JAN95		
TOLERANCES UNLESS OTHERWISE SPECIFIED:		APVD TL SHUTTER 18JAN95	NAME TERMINAL, AMPPOWER, WIRE SIZE: 2 AWG	
0 PLC ± - 1 PLC ± - 2 PLC ± 0.51[.020] 3 PLC ± - 4 PLC ± - ANGLES ± ± -		PRODUCT SPEC 108-30200	SIZE A2	
MATERIAL ANNEALED COPPER ASTM B-75		FINISH 2	APPLICATION SPEC -	DRAWING NO 00779
		WEIGHT .026 LB	CAGE CODE G-325201	RESTRICTED TO -
		CUSTOMER DRAWING		SCALE 4:1 SHEET 1 of 1 REV V2