



Chipsmall Limited consists of a professional team with an average of over 10 year of expertise in the distribution of electronic components. Based in Hongkong, we have already established firm and mutual-benefit business relationships with customers from,Europe,America and south Asia,supplying obsolete and hard-to-find components to meet their specific needs.

With the principle of “Quality Parts,Customers Priority,Honest Operation,and Considerate Service”,our business mainly focus on the distribution of electronic components. Line cards we deal with include Microchip,ALPS,ROHM,Xilinx,Pulse,ON,Everlight and Freescale. Main products comprise IC,Modules,Potentiometer,IC Socket,Relay,Connector.Our parts cover such applications as commercial,industrial, and automotives areas.

We are looking forward to setting up business relationship with you and hope to provide you with the best service and solution. Let us make a better world for our industry!



Contact us

Tel: +86-755-8981 8866 Fax: +86-755-8427 6832

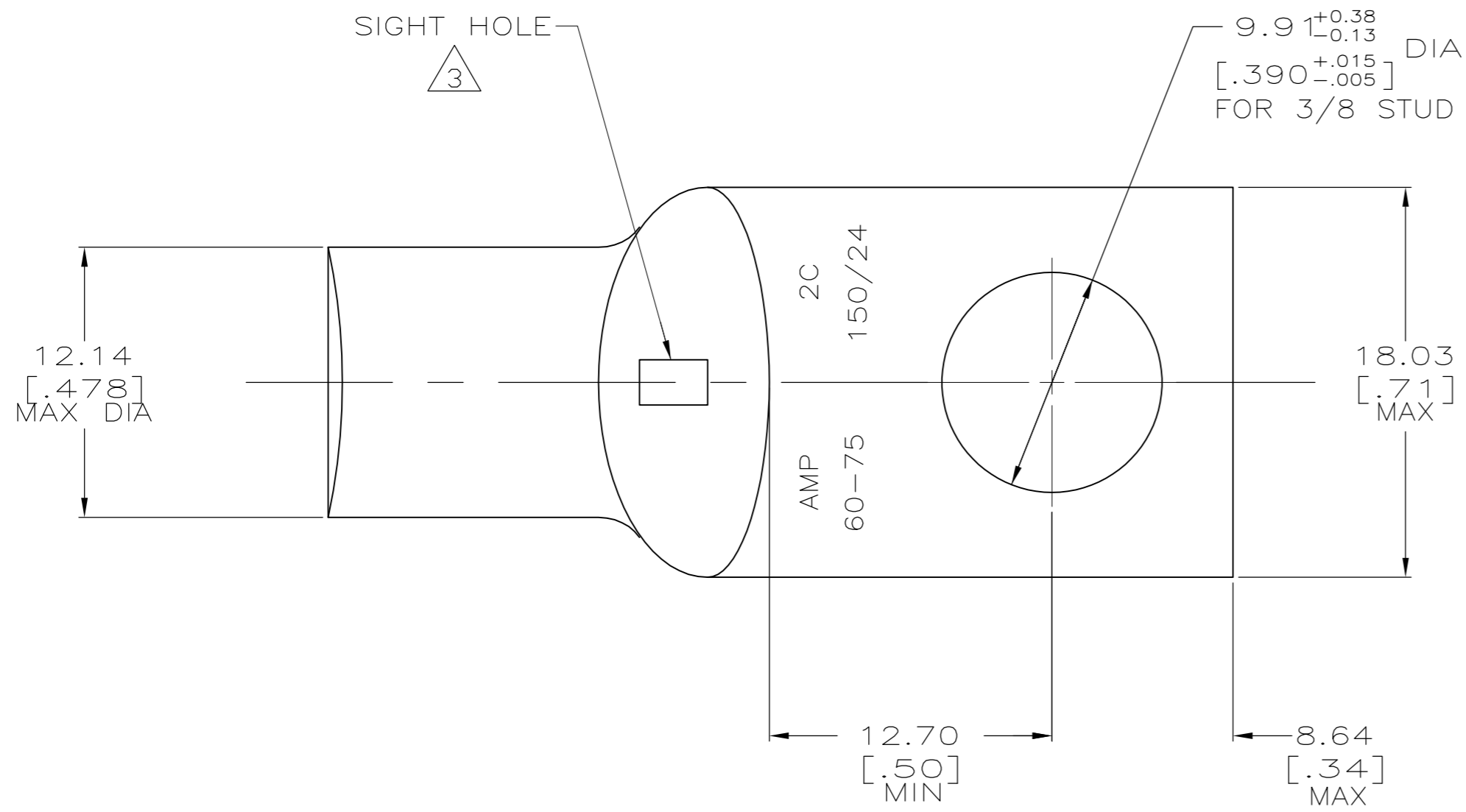
Email & Skype: info@chipsmall.com Web: www.chipsmall.com

Address: A1208, Overseas Decoration Building, #122 Zhenhua RD., Futian, Shenzhen, China

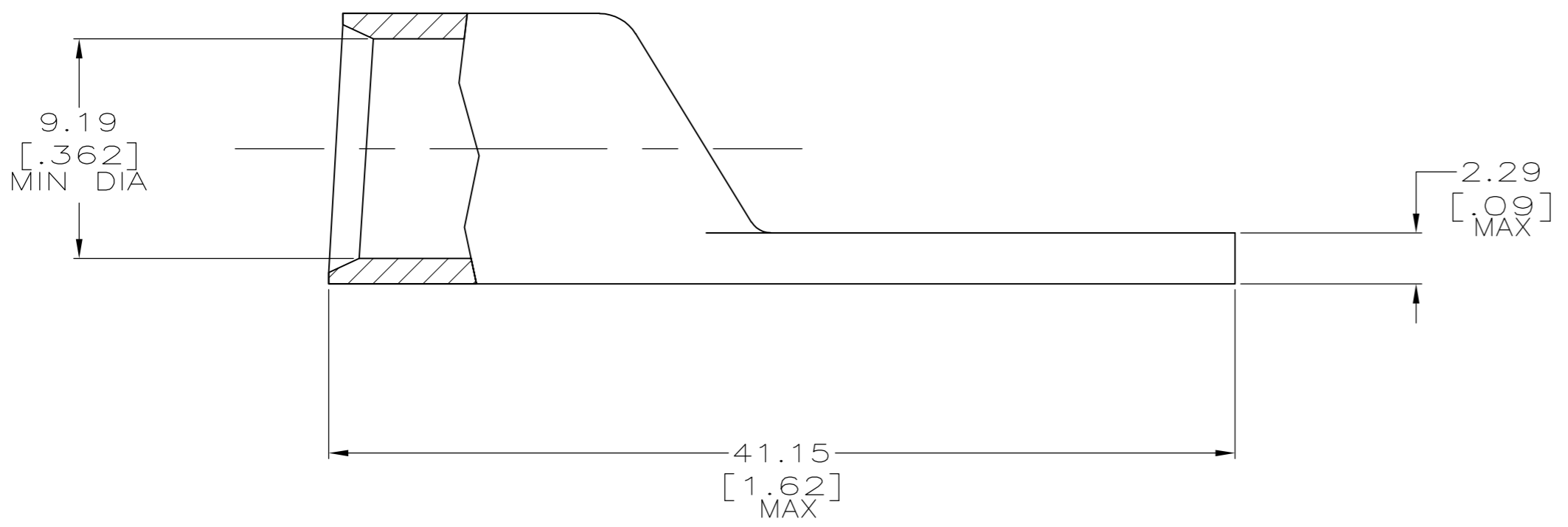


THIS DRAWING IS UNPUBLISHED. RELEASED FOR PUBLICATION
 © COPYRIGHT BY TYCO ELECTRONICS CORPORATION. ALL INTERNATIONAL RIGHTS RESERVED.

LOC	DIST	REVISIONS					
		P	LTR	DESCRIPTION	DATE	DWN	APVD
G	86						
		U1		REV PER ECR 09-016289	02SEPT09	JR	RL



- 1 CIRCULAR MIL AREA RANGE: 52,600-83,700 CM
- 2 TIN PL 0.00381[.000150] MIN THK PER ASTM B-545
- 3 SIGHT HOLE
- 4 PRELIMINARY - NOT FOR PRODUCTION



NONE	4 325203-3
REQUIRED	325203
3 SIGHT HOLE	PART NO.

THIS DRAWING IS A CONTROLLED DOCUMENT.		DWN DK SCHRUM 02/28/90	Tyco Electronics Corporation Harrisburg, PA 17105-3608	
DIMENSIONS: MM [INCHES]		CHK MS FEHER 18JAN95	NAME	
TOLERANCES UNLESS OTHERWISE SPECIFIED:		APVD WJ VOCKROTH 18JAN95	PRODUCT SPEC	
0 PLC ± -	1 PLC ± -	108-30200		
2 PLC ± 0.51[.020]	3 PLC ± -	APPLICATION SPEC		
4 PLC ± -	ANGLES ± -	-		
MATERIAL ANNEALED COPPER	FINISH - 2	WEIGHT .024 LB	SIZE A2	CAGE CODE 00779
CUSTOMER DRAWING		SCALE 4:1	DRAWING NO C=325203	RESTRICTED TO -
		SHEET 1 of 1	REV U1	

325203