



Chipsmall Limited consists of a professional team with an average of over 10 year of expertise in the distribution of electronic components. Based in Hongkong, we have already established firm and mutual-benefit business relationships with customers from,Europe,America and south Asia,supplying obsolete and hard-to-find components to meet their specific needs.

With the principle of "Quality Parts,Customers Priority,Honest Operation,and Considerate Service",our business mainly focus on the distribution of electronic components. Line cards we deal with include Microchip,ALPS,ROHM,Xilinx,Pulse,ON,Everlight and Freescale. Main products comprise IC,Modules,Potentiometer,IC Socket,Relay,Connector.Our parts cover such applications as commercial,industrial, and automotives areas.

We are looking forward to setting up business relationship with you and hope to provide you with the best service and solution. Let us make a better world for our industry!



Contact us

Tel: +86-755-8981 8866 Fax: +86-755-8427 6832

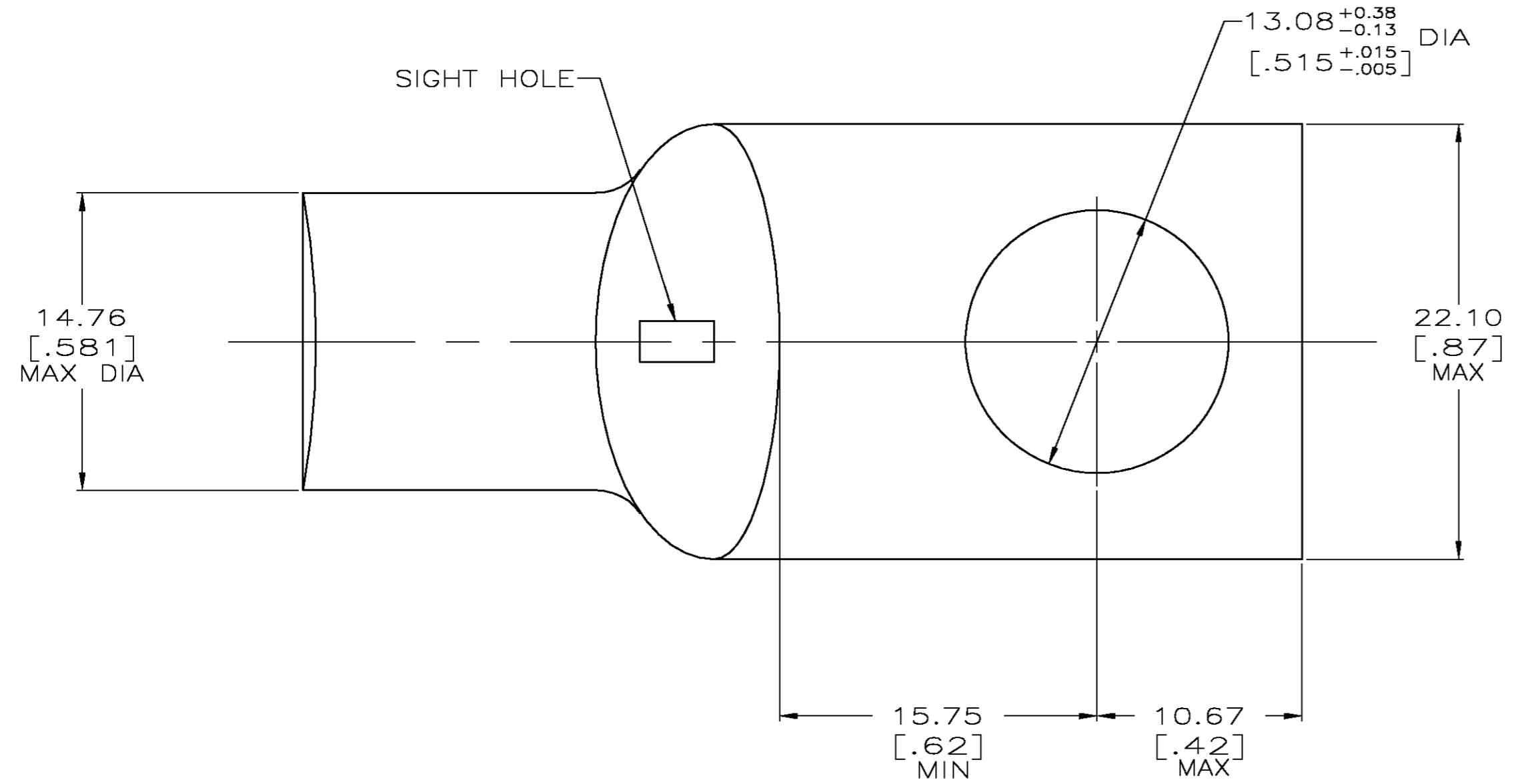
Email & Skype: info@chipsmall.com Web: www.chipsmall.com

Address: A1208, Overseas Decoration Building, #122 Zhenhua RD., Futian, Shenzhen, China

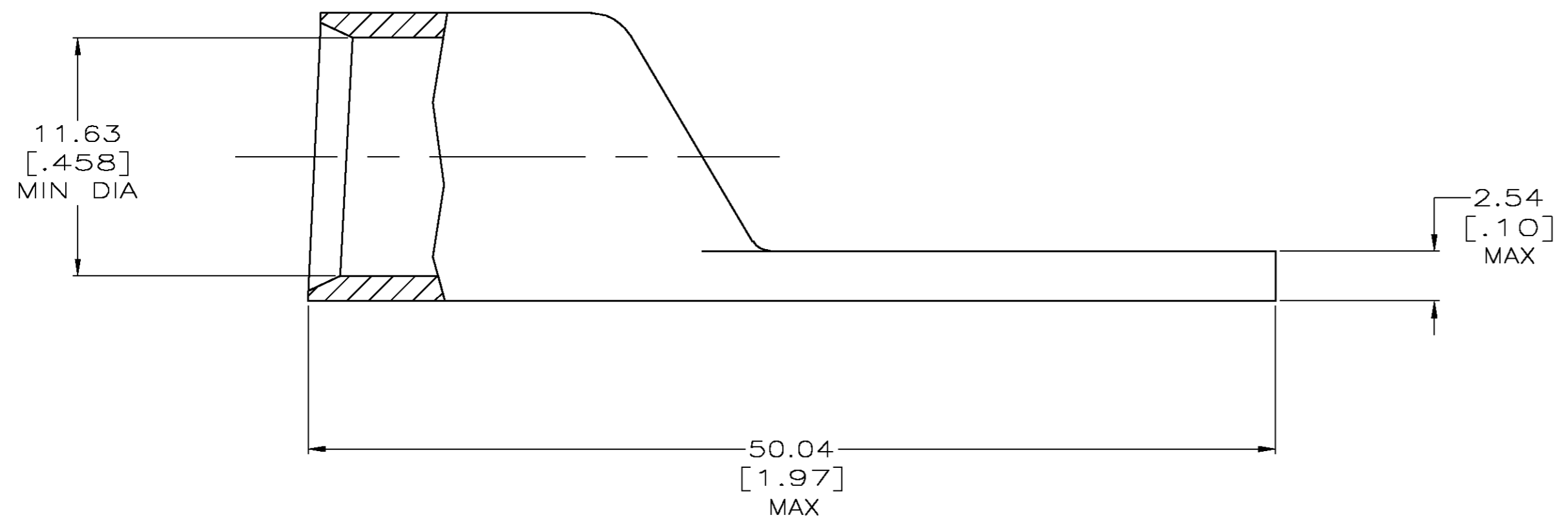


THIS DRAWING IS UNPUBLISHED. RELEASED FOR PUBLICATION
 © COPYRIGHT BY TYCO ELECTRONICS CORPORATION. ALL RIGHTS RESERVED.

LOC	DIST	REVISIONS					
G	86	P	LTR	DESCRIPTION	DATE	DWN	APVD
		U		REV PER 0G3A-0538-03	02SEP03	JR	MS



- 1 CIRCULAR MIL RANGE: 83,700-119,500 CM
- 2 TIN PL 0.00381[.000150] MIN THK PER MIL-T-10727
- 3 ANNEALED COPPER PER ASTM B-75



CLEANED, UNPLATED	325305-4
	325305
FINISH	PART NO
tyco Electronics	
Tyco Electronics Corporation Harrisburg, PA 17105	
NAME TERMINAL, AMPPOWER WIRE SIZE: 1/0 AWG	
SIZE	RESTRICTED TO
A2	-
CAGE CODE	SCALE
00779	4:1
DRAWING NO	SHEET
C=325305	1 OF 1
REV	U

THIS DRAWING IS A CONTROLLED DOCUMENT.		DWN	02/28/90
DIMENSIONS: INCHES		DK SCHRUM	31AUG94
TOLERANCES UNLESS OTHERWISE SPECIFIED:		CHK	MS FEHER
0 PLC	± -	APVD	MJ SPICER
1 PLC	± -	PRODUCT SPEC	-
2 PLC	± 0.51[.020]	APPLICATION SPEC	-
3 PLC	± -	WEIGHT	.038 LB
4 PLC	± -	CUSTOMER DRAWING	
ANGLES	± -		
FINISH	SEE TABLE		