



Chipsmall Limited consists of a professional team with an average of over 10 year of expertise in the distribution of electronic components. Based in Hongkong, we have already established firm and mutual-benefit business relationships with customers from,Europe,America and south Asia,supplying obsolete and hard-to-find components to meet their specific needs.

With the principle of “Quality Parts,Customers Priority,Honest Operation,and Considerate Service”,our business mainly focus on the distribution of electronic components. Line cards we deal with include Microchip,ALPS,ROHM,Xilinx,Pulse,ON,Everlight and Freescale. Main products comprise IC,Modules,Potentiometer,IC Socket,Relay,Connector.Our parts cover such applications as commercial,industrial, and automotives areas.

We are looking forward to setting up business relationship with you and hope to provide you with the best service and solution. Let us make a better world for our industry!



Contact us

Tel: +86-755-8981 8866 Fax: +86-755-8427 6832

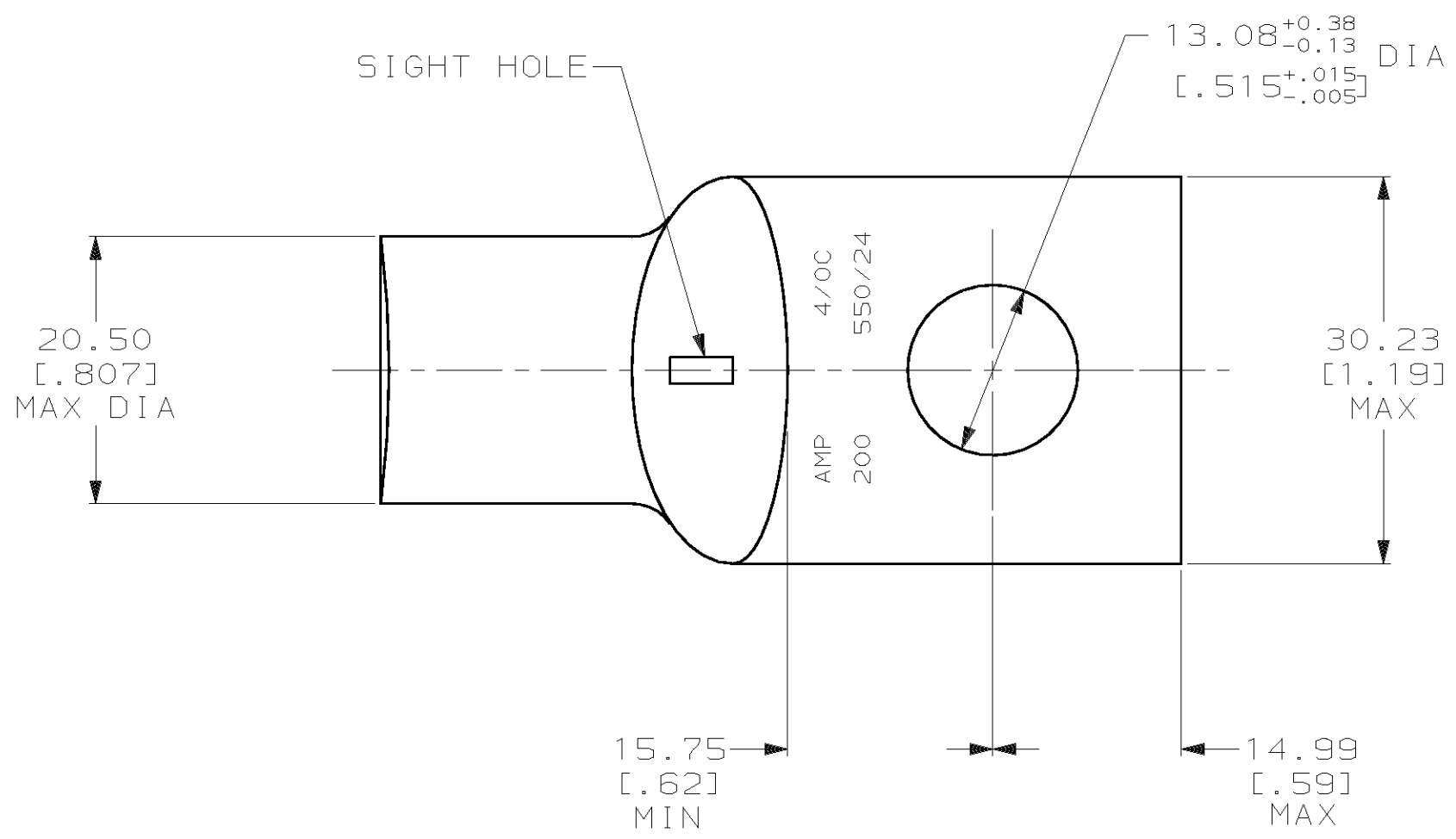
Email & Skype: info@chipsmall.com Web: www.chipsmall.com

Address: A1208, Overseas Decoration Building, #122 Zhenhua RD., Futian, Shenzhen, China

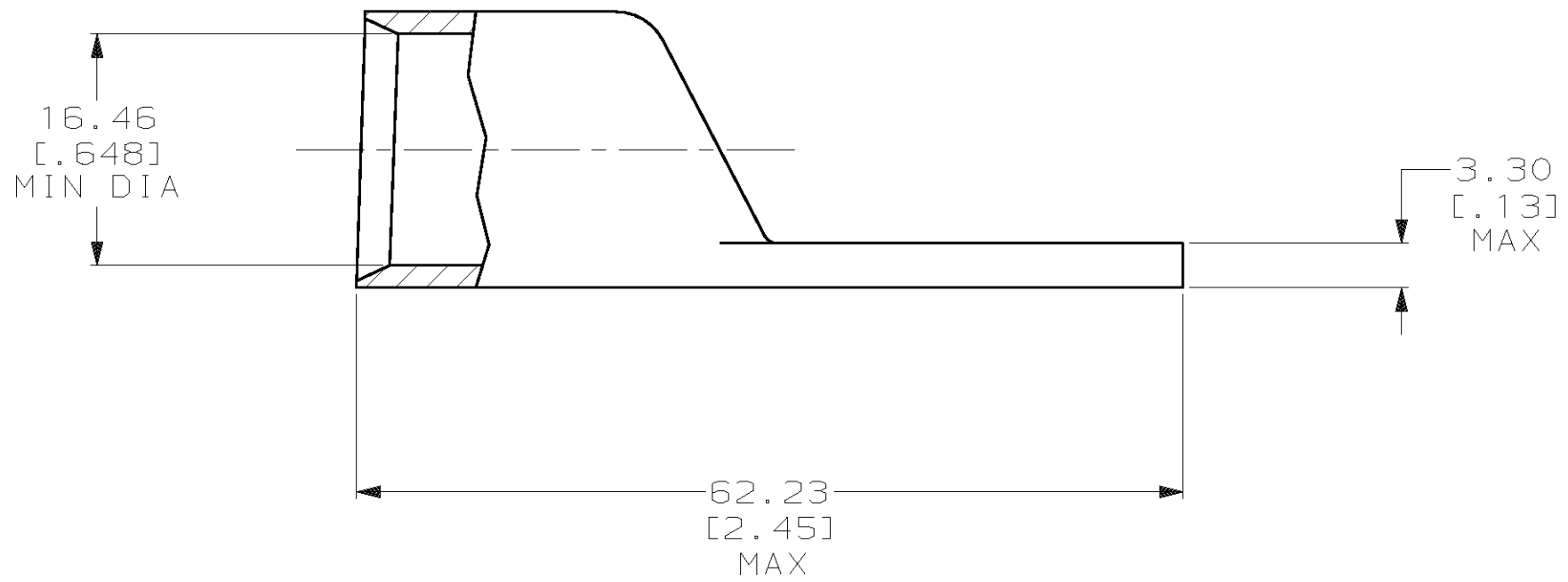


THIS DRAWING IS UNPUBLISHED. RELEASED FOR PUBLICATION, 19 .
 © COPYRIGHT 19 BY AMP INCORPORATED. ALL INTERNATIONAL RIGHTS RESERVED.

LOC		DIST		REVISIONS				DATE	APPD
ZONE	LTR	DESCRIPTION	DATE	APPD					
G	86	P	F	R	REV PER 063A-0561-01	070CT02	JR	MS	



1 CIRCULAR MIL RANGE: 190,000-231,000 CM
 2 CLEANED, UNPLATED



△	325605-5
	325605
	PART NO

DO NOT SCALE PRINT. UNLESS SPECIFIED DIMENSIONS IN mm [INCHES] TOLERANCES ON : 2 PLC DEC ± - 3 PLC DEC ± - ANGLES ± -		DR 02/28/90 DK SCHRUM		AMP Incorporated Harrisburg, PA 17105-3608	
MATERIAL COPPER PER ASTM B-75 ANNEALED		CHK 8/10/92 AJ KAUFMAN			
FINISH TIN PLATE 0.00381 [.000150] MIN THK PER MIL-T-10727		APPD 8/10/92 RE ROSER		NAME TERMINAL, AMPOWER, WIRE SIZE: 4/0 AWG	
THIS DRAWING IS A CONTROLLED DOCUMENT FOR AMP INCORPORATED. IT IS SUBJECT TO CHANGE AND THE CONTROLLING ENGINEERING ORGANIZATION SHOULD BE CONTACTED FOR THE LATEST REVISION.		APPD 8/10/92 JL MECKLEY		DRAWING NO C-325605	
		PRODUCT SPEC -		CAGE CODE 00779	
		APPLICATION SPEC -		SCALE 2:1	
		WEIGHT .098 LBS		SHEET 1 OF 1	