



Chipsmall Limited consists of a professional team with an average of over 10 year of expertise in the distribution of electronic components. Based in Hongkong, we have already established firm and mutual-benefit business relationships with customers from,Europe,America and south Asia,supplying obsolete and hard-to-find components to meet their specific needs.

With the principle of "Quality Parts,Customers Priority,Honest Operation,and Considerate Service",our business mainly focus on the distribution of electronic components. Line cards we deal with include Microchip,ALPS,ROHM,Xilinx,Pulse,ON,Everlight and Freescale. Main products comprise IC,Modules,Potentiometer,IC Socket,Relay,Connector.Our parts cover such applications as commercial,industrial, and automotives areas.

We are looking forward to setting up business relationship with you and hope to provide you with the best service and solution. Let us make a better world for our industry!



Contact us

Tel: +86-755-8981 8866 Fax: +86-755-8427 6832

Email & Skype: info@chipsmall.com Web: www.chipsmall.com

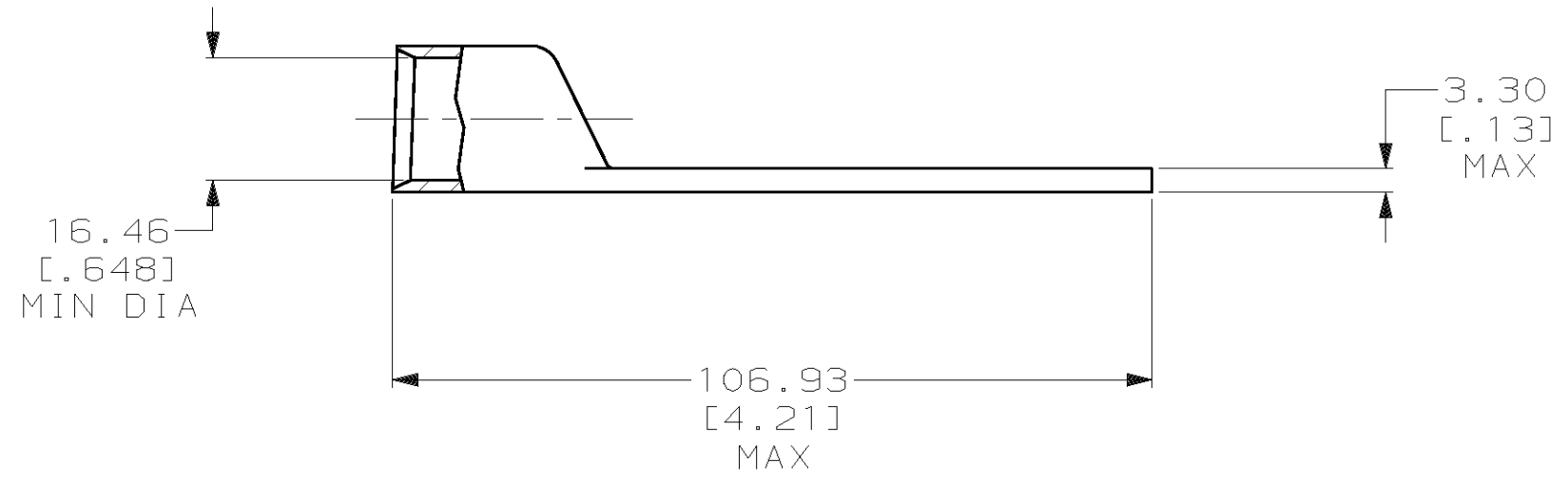
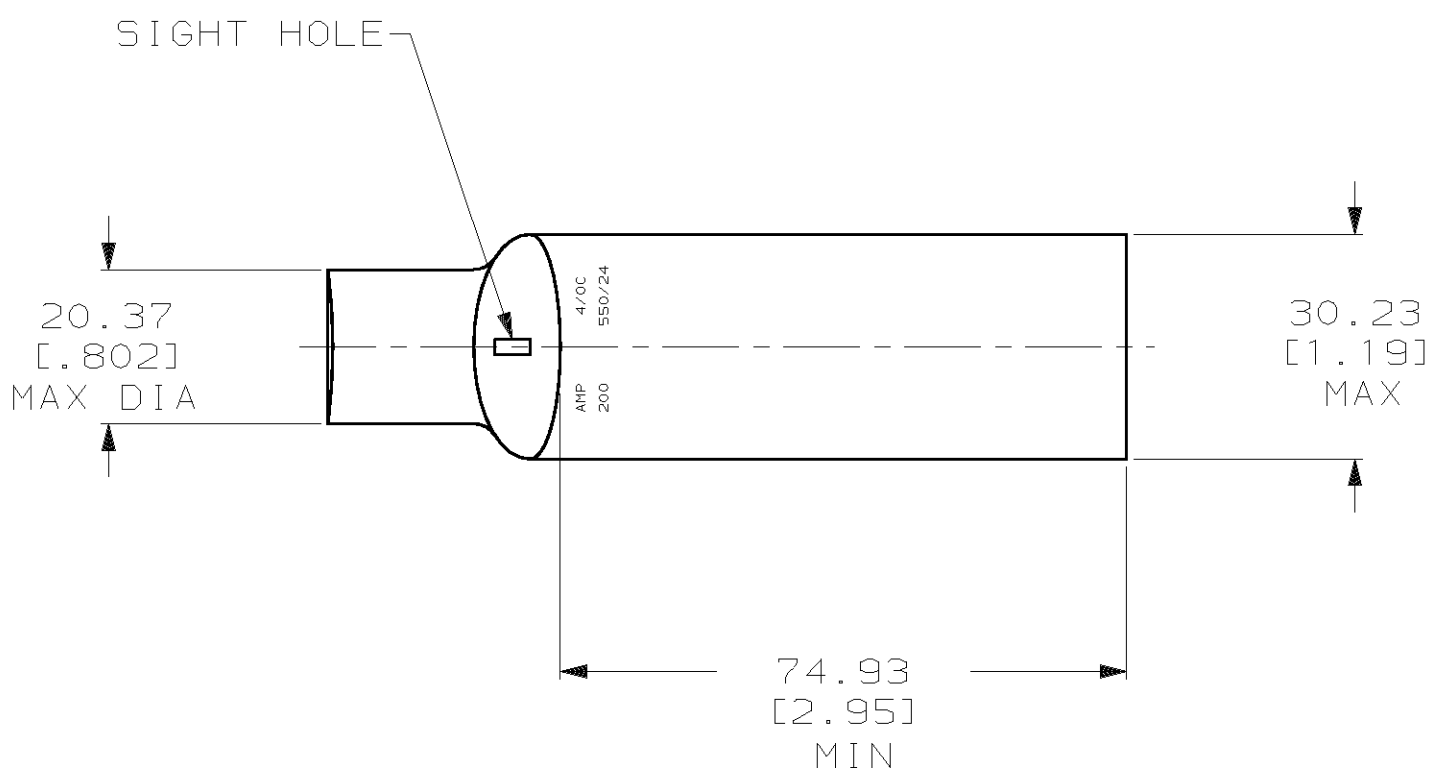
Address: A1208, Overseas Decoration Building, #122 Zhenhua RD., Futian, Shenzhen, China



THIS DRAWING IS UNPUBLISHED. RELEASED FOR PUBLICATION, 19 .
 © COPYRIGHT 19 BY AMP INCORPORATED. ALL INTERNATIONAL RIGHTS RESERVED.

LOC		DIST		REVISIONS				DATE	APPD
G	86	P	F	ZONE	LTR	DESCRIPTION	080CT02	JR MS	
				P		REV PER 063A-0561-01			

1 CIRCULAR MIL RANGE: 190,000-231,000 CM



325610

B

A

325610
PART NO

DO NOT SCALE PRINT. UNLESS SPECIFIED DIMENSIONS IN mm [INCHES] TOLERANCES ON : 2 PLC DEC ± - 3 PLC DEC ± - ANGLES ± -		DR 02/28/90 DK SCHRUM	AMP Incorporated Harrisburg, PA 17105-3608		
MATERIAL COPPER PER ASTM B-75 ANNEALED		CHK 8/10/92 AJ KAUFMAN			
FINISH TIN PLATE 0.00381 [.000150] MIN THK PER MIL-T-10727		APPD 8/10/92 RE ROSER	NAME TERMINAL, AMPOWER, WIRE SIZE: 4/0 AWG		
THIS DRAWING IS A CONTROLLED DOCUMENT FOR AMP INCORPORATED. IT IS SUBJECT TO CHANGE AND THE CONTROLLING ENGINEERING ORGANIZATION SHOULD BE CONTACTED FOR THE LATEST REVISION.		APPD 8/10/92 JL MECKLEY	SIZE C	CAGE CODE 00779	DRAWING NO C=325610
		PRODUCT SPEC -	SCALE 1:1	SHEET 1 OF 1	
		APPLICATION SPEC -	CUSTOMER DRAWING		
		WEIGHT .184 LBS			