



Chipsmall Limited consists of a professional team with an average of over 10 year of expertise in the distribution of electronic components. Based in Hongkong, we have already established firm and mutual-benefit business relationships with customers from,Europe,America and south Asia,supplying obsolete and hard-to-find components to meet their specific needs.

With the principle of "Quality Parts,Customers Priority,Honest Operation,and Considerate Service",our business mainly focus on the distribution of electronic components. Line cards we deal with include Microchip,ALPS,ROHM,Xilinx,Pulse,ON,Everlight and Freescale. Main products comprise IC,Modules,Potentiometer,IC Socket,Relay,Connector.Our parts cover such applications as commercial,industrial, and automotives areas.

We are looking forward to setting up business relationship with you and hope to provide you with the best service and solution. Let us make a better world for our industry!



Contact us

Tel: +86-755-8981 8866 Fax: +86-755-8427 6832

Email & Skype: info@chipsmall.com Web: www.chipsmall.com

Address: A1208, Overseas Decoration Building, #122 Zhenhua RD., Futian, Shenzhen, China



INTERCONNECTS

SERIES 326 • .100" GRID WRAPOST WITH SOLDER TAIL • SINGLE ROW STRIPS

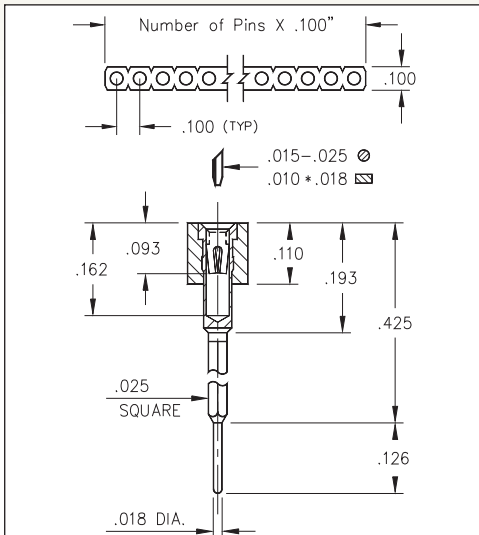


FIG. 1

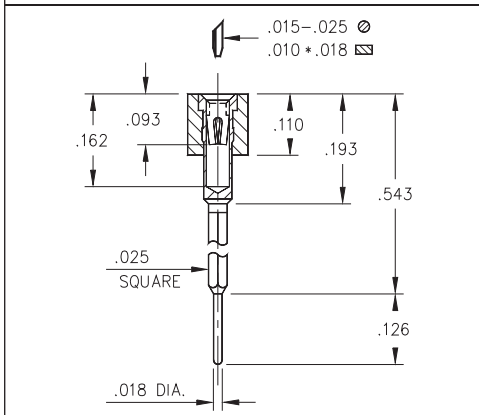


FIG. 2

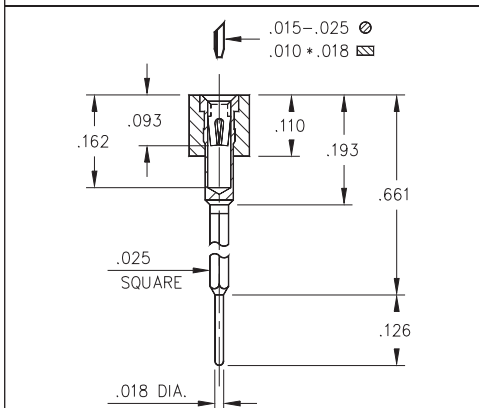


FIG. 3

- Wrapost / Solder Tail combinations are available in 3 lengths using MM pin numbers:

326...001 uses pin # 2601

326...002 uses pin # 2602

326...003 uses pin # 2603

See page 199 for details

- Hi-Rel, 4-finger BeCu #30 contact is rated at 3 amps. See page 253 for details

- Insulators are high temperature thermoplastic, suitable for all soldering operations



ORDERING INFORMATION

	Series 326...001	1 Level Wrapost
FIG. 1	326-XX-1	-41-001000
	Specify number of pins	01-64
FIG. 2	Series 326...002	2 Level Wrapost
	326-XX-1	-41-002000
	Specify number of pins	01-64
FIG. 3	Series 326...003	3 Level Wrapost
	326-XX-1	-41-003000
	Specify number of pins	01-64



XX=Plating Code
See Below

For
Electrical, Mechanical
& Environmental Data,
See page 264

SPECIFY PLATING CODE XX=	91	93	41	43
Sleeve (Pin)	200 μ"Sn/Pb	200 μ"Sn/Pb	200 μ"Sn	200 μ"Sn
Contact (Clip)	10 μ" Au	30 μ" Au	10 μ" Au	30 μ" Au

