



Chipsmall Limited consists of a professional team with an average of over 10 year of expertise in the distribution of electronic components. Based in Hongkong, we have already established firm and mutual-benefit business relationships with customers from,Europe,America and south Asia,supplying obsolete and hard-to-find components to meet their specific needs.

With the principle of “Quality Parts,Customers Priority,Honest Operation,and Considerate Service”,our business mainly focus on the distribution of electronic components. Line cards we deal with include Microchip,ALPS,ROHM,Xilinx,Pulse,ON,Everlight and Freescale. Main products comprise IC,Modules,Potentiometer,IC Socket,Relay,Connector.Our parts cover such applications as commercial,industrial, and automotives areas.

We are looking forward to setting up business relationship with you and hope to provide you with the best service and solution. Let us make a better world for our industry!



Contact us

Tel: +86-755-8981 8866 Fax: +86-755-8427 6832

Email & Skype: info@chipsmall.com Web: www.chipsmall.com

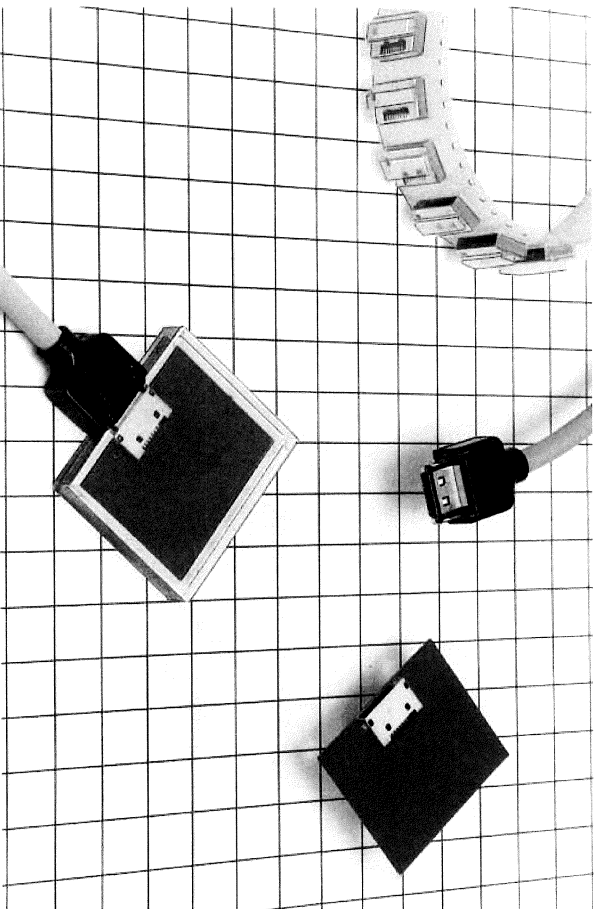
Address: A1208, Overseas Decoration Building, #122 Zhenhua RD., Futian, Shenzhen, China



3200 SERIES SMT CONNECTORS FOR MICROMINIATURE INTERFACES

General

The 3200 Series connectors are to be used for EMI-proof microminiature interfaces compatible with SMT. Contact pitch of 0.8mm and a packaging height of 2.9mm are designed to meet demands for smaller and thinner electronic equipment.



Features

1. Receptacle connector height : 2.9mm above the packaging surface of printed circuit boards (PCBs).
2. Minimum contact pitch : 0.8mm, minimizing mounting area.
3. Easy to mount on PCBs due to one-row SMT system.
4. Receptacle connectors are also available in embossed packaging.
5. Plugs are ESD protected by a metal shell.
6. Fitted with latch-locks on both sides for easy mating.
7. This lock system requires minimum space.
8. Reinforcing fixtures are available in 0.5, 1, and 1.5mm lengths depending on PCB thickness.
9. Plug connectors can be terminated by soldering so that they are compatible with various types of wires.
10. 8 and 10-contact models available.

Application

Portable personal computers, electronic notebooks, various OA equipment, and portable mobile communication equipment.

Main Specifications

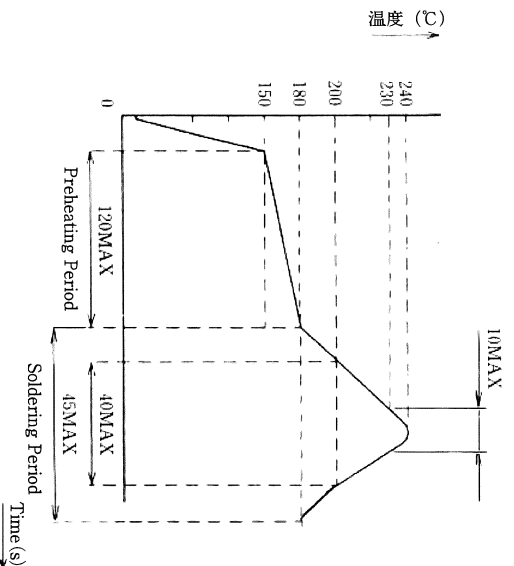
Main specifications	
Rated current	500 mA
Rated voltage	AC 125V
Insulation voltage	250 MΩ or more at DC 100V
Withstanding voltage	At AC300V r.m.s 1minute

Material/Finish

		Main materials used	
Receptacle connector	Insulation	Synthetic resin	Black※
	Contact	Copper alloy	Selective gold-plated
	Shell	Stainless steel	Selective gold-plated
	Insulation	Synthetic resin	Black※
Plug connector	Contact	Copper alloy	Selective gold-plated
	Shell	Copper alloy	Nickel-plated
	Cover	Synthetic resin	Black※

※UL94V-0

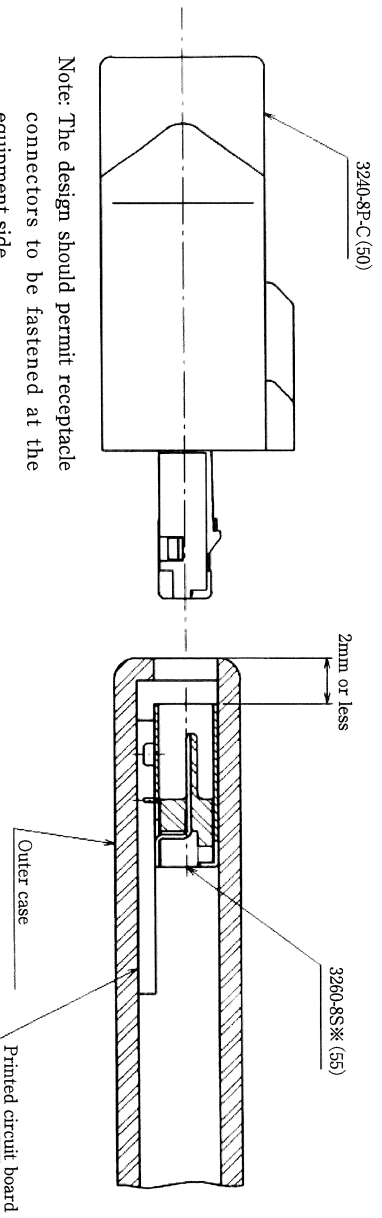
Mounting Temperature Profile (Board Surface Temperature)



Board
 Dimensions: 50 x 50 x 1 (mm)
 Material : Glass epoxy
 Cream Solder
 SN 96.5 / AG 3.0 / Cu 0.5

Note: This mounting temperature profile was performed by Hirose Electric under the aforementioned conditions. The profile can change depending on the mounting machine, board, cream solder, and other factors.

Connector Packaging Reference Drawing



Note: The design should permit receptacle connectors to be fastened at the equipment side.

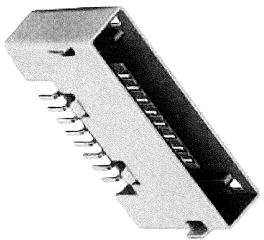
Applicable Cable

Contacts of the plug side connectors are to be soldered. Due to limited covered inside space, use cables of approx. the following sizes.

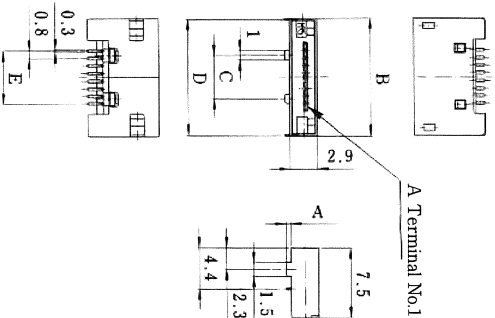
Sheath outside dia: ϕ 5.2mm or less (8 contacts) ϕ 5.4mm or less (10 contacts)
 Core: AWG28 or less
 Insulation outside dia: ϕ 0.7mm or less

The product information in this catalog is for reference only. Please request the Engineering Drawing for the most current and accurate design information.
 All non-Roh's products have been discontinued, or will be discontinued soon. Please check the products status on the Hirose website Roh's search at www.hirose-connectors.com, or contact your Hirose sales representative.

Receptacle Connector



3260-8S1 (55)

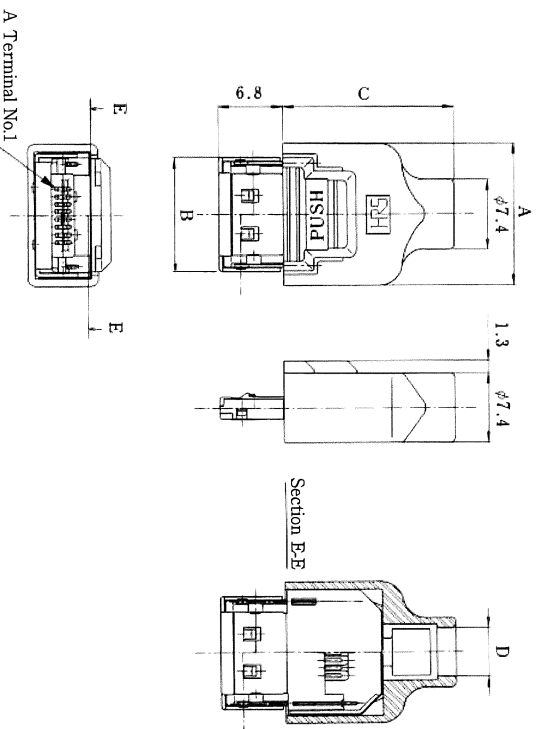
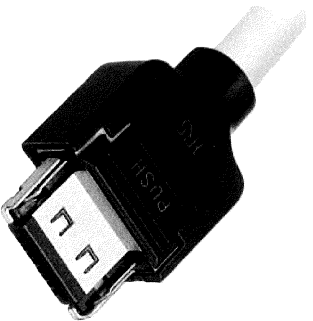


HRS No.	Mod. pin	Parts No.	A	B	C	D	E	RoHS
CI232-0002-7-55	8	3260-8S1 (55)	0.5					
CI232-0002-7-56	8	3260-8S1 (56)	0.5					
* CI232-0009-6-55	8	3260-8S2 (55)	1.0	12.6	4.6	12.4	5.6	YES
* CI232-0009-6-56	8	3260-8S2 (56)	1.0					
CI232-0010-5-55	8	3260-8S3 (55)	1.5					
* CI232-0010-5-56	8	3260-8S3 (56)	1.5					
CI232-0047-5-55	10	3260-1HS3 (55)	1.5	14.2	6.2	14	7.2	

Unit: mm

* Specification (56) connectors are packaged with embossed (1000 connectors per reel) tape.

Plug Connector

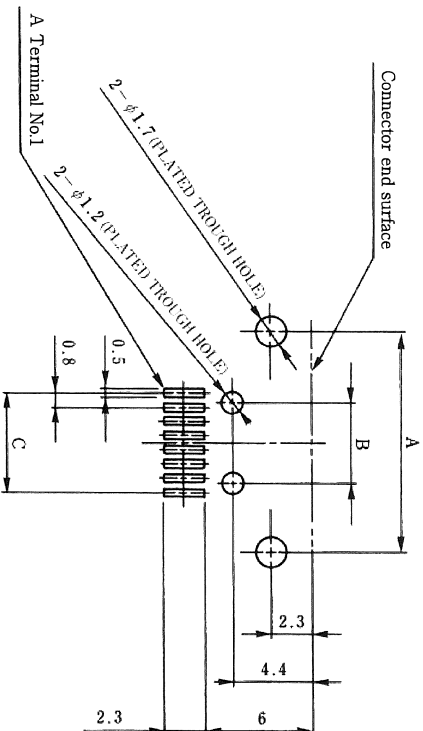


Unit: mm

HRS No.	Mod. pin	Parts No.	A	B	C	D	RoHS
CI232-0001-4-50	8	3240-8P-C (50)	15.1	12.1	18	φ5.2	YES
CI232-0048-8-50	10	3240-10P-C (50)	16.7	13.7	21	φ5.4	

PCB Layout

— PIN THROUGH HOLE OF METAL SHELL —

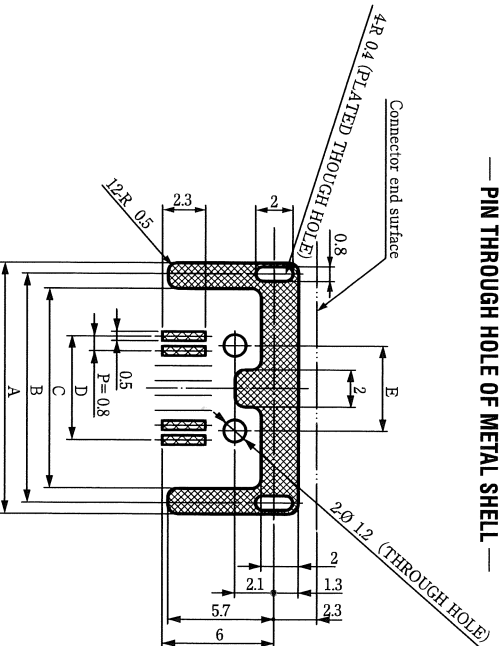


Part No.	Unit: mm		
	A	B	C
3260-SS*	12.4	4.6	5.6
3260-10S*	14	6.2	7.2

Harness Tools

Connector		Process		Tools	
3240-8P-C(50)	Cable clamps	Hi-Flex Connecting press (CI:5504082.2)	3240-8CV (clamping jig)	3240-10CV (clamping jig)	
3240-10P-C(50)					

— PIN THROUGH HOLE OF METAL SHELL —



Part No.	Unit: mm				
	A	B	C	D	E
3260-SS*	13.6	12.4	10.8	5.6	4.6
3260-10S*	15.2	14	12.4	7.2	6.2