



Chipsmall Limited consists of a professional team with an average of over 10 year of expertise in the distribution of electronic components. Based in Hongkong, we have already established firm and mutual-benefit business relationships with customers from,Europe,America and south Asia,supplying obsolete and hard-to-find components to meet their specific needs.

With the principle of “Quality Parts,Customers Priority,Honest Operation,and Considerate Service”,our business mainly focus on the distribution of electronic components. Line cards we deal with include Microchip,ALPS,ROHM,Xilinx,Pulse,ON,Everlight and Freescale. Main products comprise IC,Modules,Potentiometer,IC Socket,Relay,Connector.Our parts cover such applications as commercial,industrial, and automotives areas.

We are looking forward to setting up business relationship with you and hope to provide you with the best service and solution. Let us make a better world for our industry!



Contact us

Tel: +86-755-8981 8866 Fax: +86-755-8427 6832

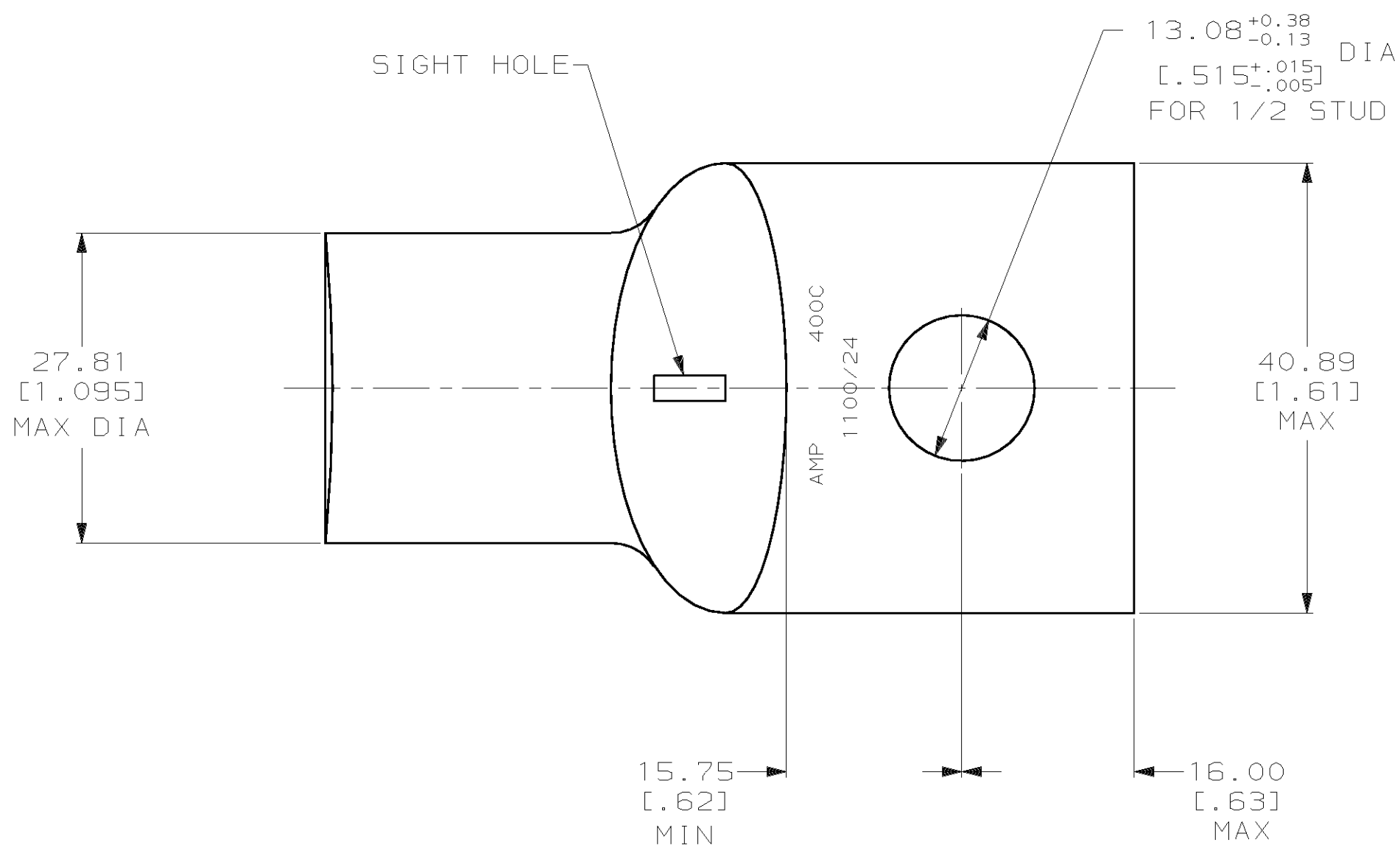
Email & Skype: info@chipsmall.com Web: www.chipsmall.com

Address: A1208, Overseas Decoration Building, #122 Zhenhua RD., Futian, Shenzhen, China

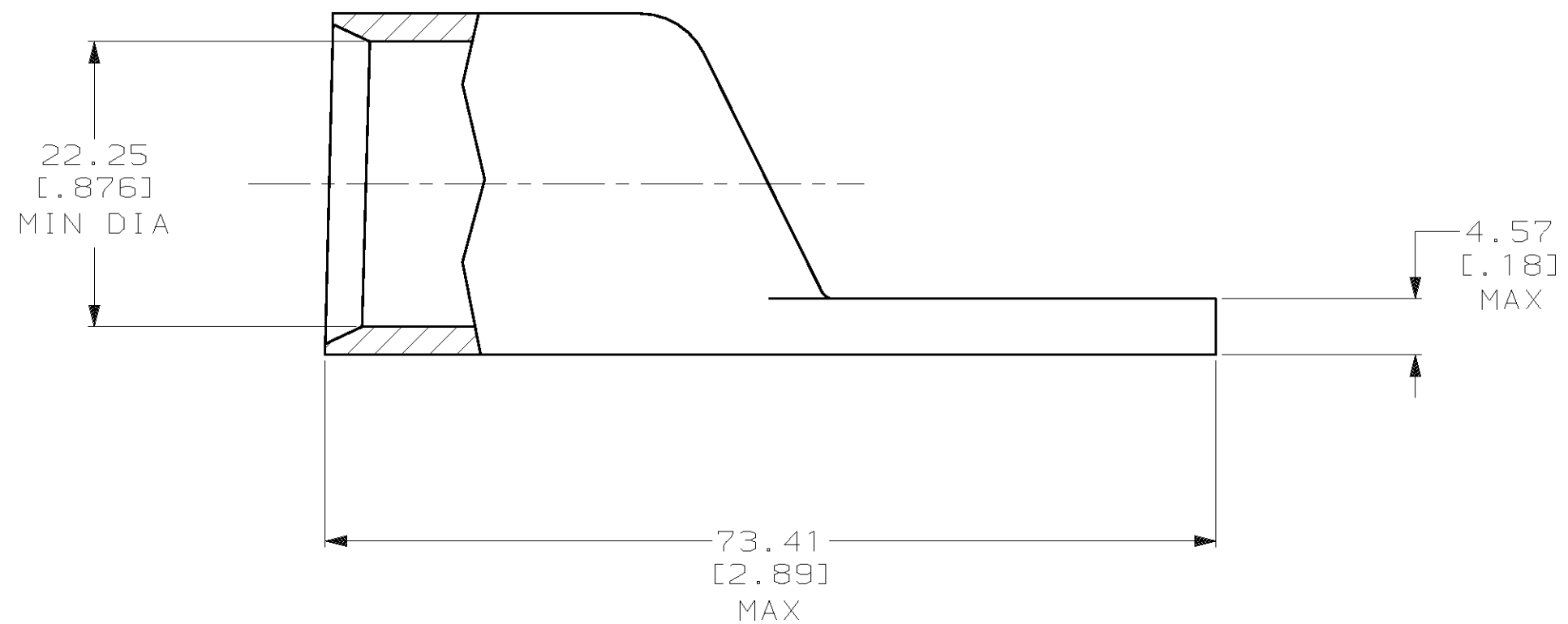


THIS DRAWING IS UNPUBLISHED. RELEASED FOR PUBLICATION, 19 .
 © COPYRIGHT 19 BY AMP INCORPORATED. ALL INTERNATIONAL RIGHTS RESERVED.

LOC		DIST		REVISIONS				DATE	APPD
ZONE	LTR	DESCRIPTION	DATE	APPD					
G	86	P	F	V	REV PER 063A-0561-01	080CT02	JR		



1 CIRCULAR MIL AREA RANGE: 375-450 MCM
 2 TIN PL 0.00381 [0.00150] MIN THK PER MIL-T-10727



NONE	326005-2
REQD	326005
SIGHT HOLE	PART NO

DO NOT SCALE PRINT. UNLESS SPECIFIED DIMENSIONS IN mm [INCHES] TOLERANCES ON : 2 PLC DEC ± 0.51 [0.020] 3 PLC DEC ± - ANGLES ± -	DR 03/09/90 DK SCHRUM	AMP INCORPORATED Harrisburg, Pa. 17105	
	CHK 23JAN95 MS FEHER		
MATERIAL ANNEALED COPPER ASTM B-75	APPD 23JAN95 WJ VOCKROTH	TERMINAL, AMPPOWER™ WIRE SIZE: 400 MCM	
FINISH 2	APPD 23JAN95 TL SHUTTER	PRODUCT SPEC 108-30200	DRAWING NO 326005
	APPLICATION SPEC -	SCALE 2:1	SHEET 1 OF 1
	WEIGHT .226 LB	SIZE C	CAGE CODE 00779

