



Chipsmall Limited consists of a professional team with an average of over 10 year of expertise in the distribution of electronic components. Based in Hongkong, we have already established firm and mutual-benefit business relationships with customers from,Europe,America and south Asia,supplying obsolete and hard-to-find components to meet their specific needs.

With the principle of “Quality Parts,Customers Priority,Honest Operation,and Considerate Service”,our business mainly focus on the distribution of electronic components. Line cards we deal with include Microchip,ALPS,ROHM,Xilinx,Pulse,ON,Everlight and Freescale. Main products comprise IC,Modules,Potentiometer,IC Socket,Relay,Connector.Our parts cover such applications as commercial,industrial, and automotives areas.

We are looking forward to setting up business relationship with you and hope to provide you with the best service and solution. Let us make a better world for our industry!



Contact us

Tel: +86-755-8981 8866 Fax: +86-755-8427 6832

Email & Skype: info@chipsmall.com Web: www.chipsmall.com

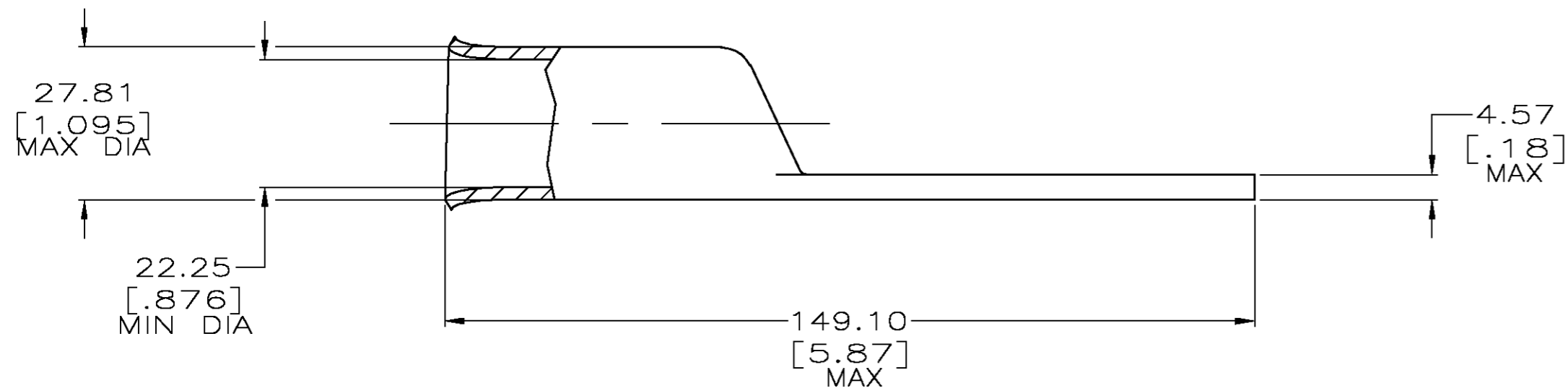
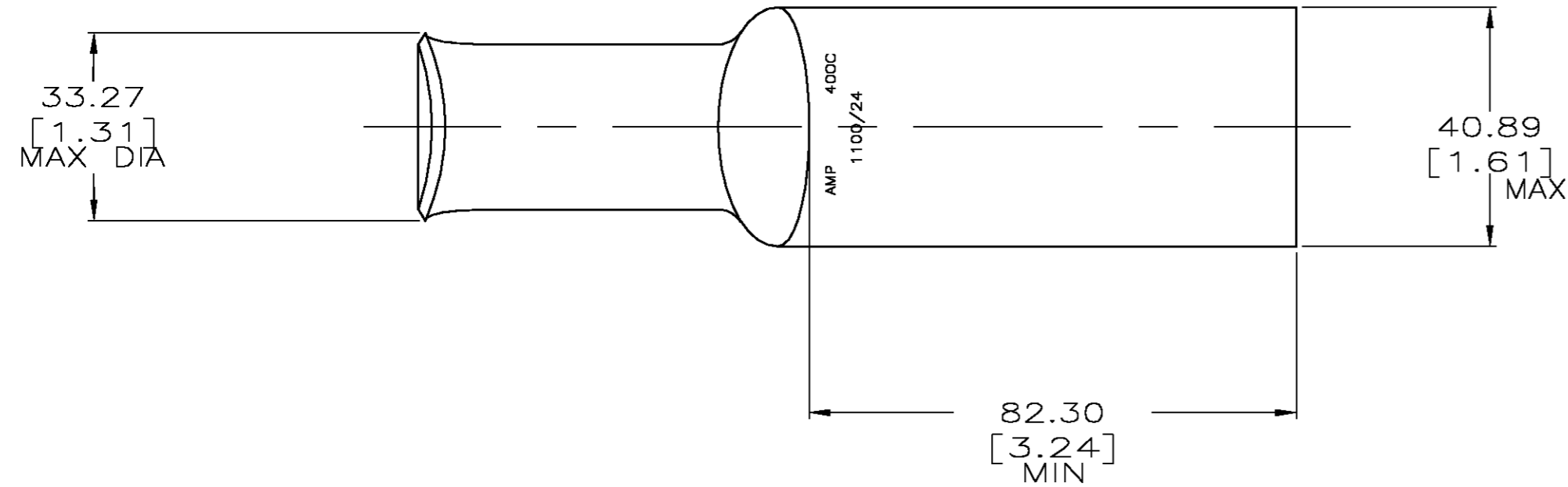
Address: A1208, Overseas Decoration Building, #122 Zhenhua RD., Futian, Shenzhen, China



THIS DRAWING IS UNPUBLISHED. RELEASED FOR PUBLICATION
 © COPYRIGHT BY TYCO ELECTRONICS CORPORATION. ALL RIGHTS RESERVED.

LOC	DIST	REVISIONS					
		P	LTR	DESCRIPTION	DATE	DWN	APVD
G	86		F	REV PER 0G3A-0098-03	05FEB03	JR	MS

- 1 CIRCULAR MIL RANGE: 375-450 MCM
- 2 TIN PL 0.00381[.000150] MIN THK PER MIL-T-10727
- 3 CLEANED, UNPLATED



3	326021-2
	326021
	PART NO.

THIS DRAWING IS A CONTROLLED DOCUMENT.		DWN DK SCHRUM 02/28/90	Tyco Electronics Corporation	
DIMENSIONS: INCHES		CHK MS FEHER 23JAN95	Harrisburg, PA 17105	
TOLERANCES UNLESS OTHERWISE SPECIFIED:		APVD MJ SPICER 23JAN95	NAME	
0 PLC ± -	1 PLC ± -	PRODUCT SPEC	TERMINAL, AMPPOWER,	
2 PLC ± 0.51[.020]	3 PLC ± -	APPLICATION SPEC	WIRE SIZE: 400 MCM	
4 PLC ± -	ANGLES ± -		SIZE	CAGE CODE
MATERIAL ANNEALED COPPER	FINISH -	WEIGHT .485 LB	A2	00779
		CUSTOMER DRAWING	SCALE 1:1	SHEET 1 OF 1
			REV F	

326021

A