



Chipsmall Limited consists of a professional team with an average of over 10 year of expertise in the distribution of electronic components. Based in Hongkong, we have already established firm and mutual-benefit business relationships with customers from,Europe,America and south Asia,supplying obsolete and hard-to-find components to meet their specific needs.

With the principle of “Quality Parts,Customers Priority,Honest Operation,and Considerate Service”,our business mainly focus on the distribution of electronic components. Line cards we deal with include Microchip,ALPS,ROHM,Xilinx,Pulse,ON,Everlight and Freescale. Main products comprise IC,Modules,Potentiometer,IC Socket,Relay,Connector.Our parts cover such applications as commercial,industrial, and automotives areas.

We are looking forward to setting up business relationship with you and hope to provide you with the best service and solution. Let us make a better world for our industry!



Contact us

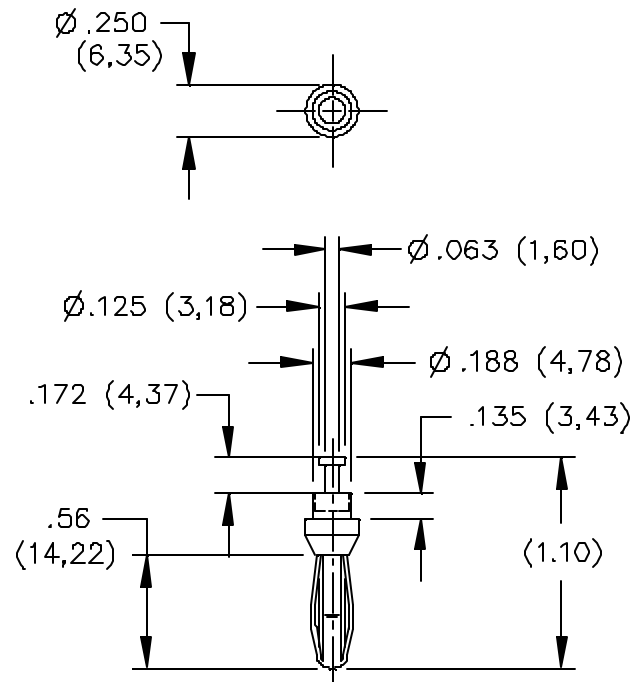
Tel: +86-755-8981 8866 Fax: +86-755-8427 6832

Email & Skype: info@chipsmall.com Web: www.chipsmall.com

Address: A1208, Overseas Decoration Building, #122 Zhenhua RD., Futian, Shenzhen, China



Model 3261 Standard Rivet Type Banana Plug With Turret For 3/32" Thick Panel



FEATURES:

- Excellent for riveting to panels or boards.
- Solder turret for rapid attachment of wires.
- Fits standard (.166 dia.) banana jack

MATERIALS:

Banana Plug Body: Brass, Alloy 360, Annealed

Spring: Beryllium Copper, Berylco 25, Cond. H.T.

Finish: Nickel plated per QQ-N-290, Class 2, 200/300 microinches

RATINGS:

Operating Voltage: 5000 VDC

Current: 15 Amperes

ORDERING INFORMATION: Model 3261

Sold in packages of 10

All dimensions are in inches. Tolerances (except noted): .xx = ±.02" (.51 mm), .xxx = ±.005" (.127 mm).

All specifications are to the latest revisions. Specifications are subject to change without notice.

Registered trademarks are the property of their respective companies.

Made in USA