



Chipsmall Limited consists of a professional team with an average of over 10 year of expertise in the distribution of electronic components. Based in Hongkong, we have already established firm and mutual-benefit business relationships with customers from,Europe,America and south Asia,supplying obsolete and hard-to-find components to meet their specific needs.

With the principle of “Quality Parts,Customers Priority,Honest Operation,and Considerate Service”,our business mainly focus on the distribution of electronic components. Line cards we deal with include Microchip,ALPS,ROHM,Xilinx,Pulse,ON,Everlight and Freescale. Main products comprise IC,Modules,Potentiometer,IC Socket,Relay,Connector.Our parts cover such applications as commercial,industrial, and automotives areas.

We are looking forward to setting up business relationship with you and hope to provide you with the best service and solution. Let us make a better world for our industry!



Contact us

Tel: +86-755-8981 8866 Fax: +86-755-8427 6832

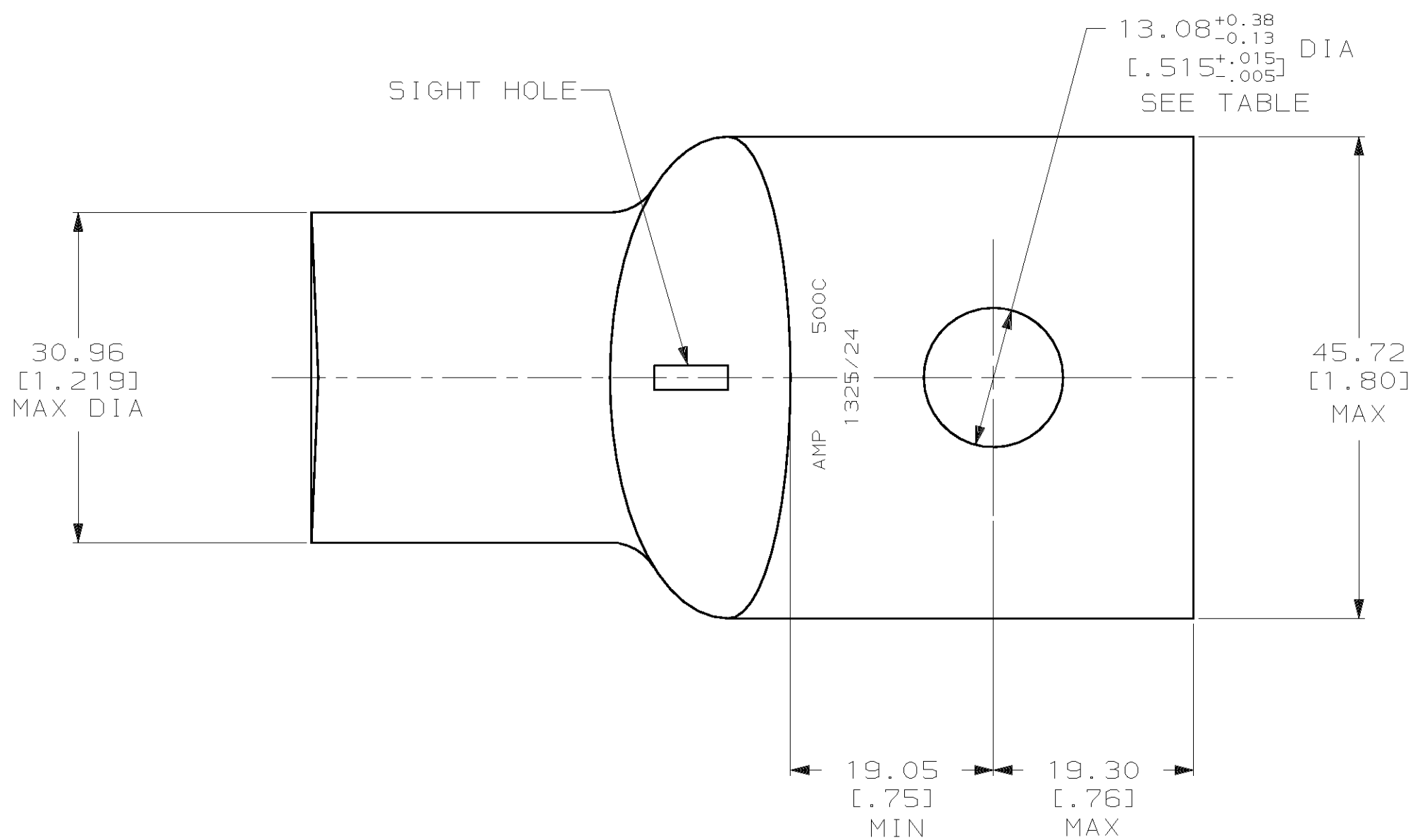
Email & Skype: info@chipsmall.com Web: www.chipsmall.com

Address: A1208, Overseas Decoration Building, #122 Zhenhua RD., Futian, Shenzhen, China

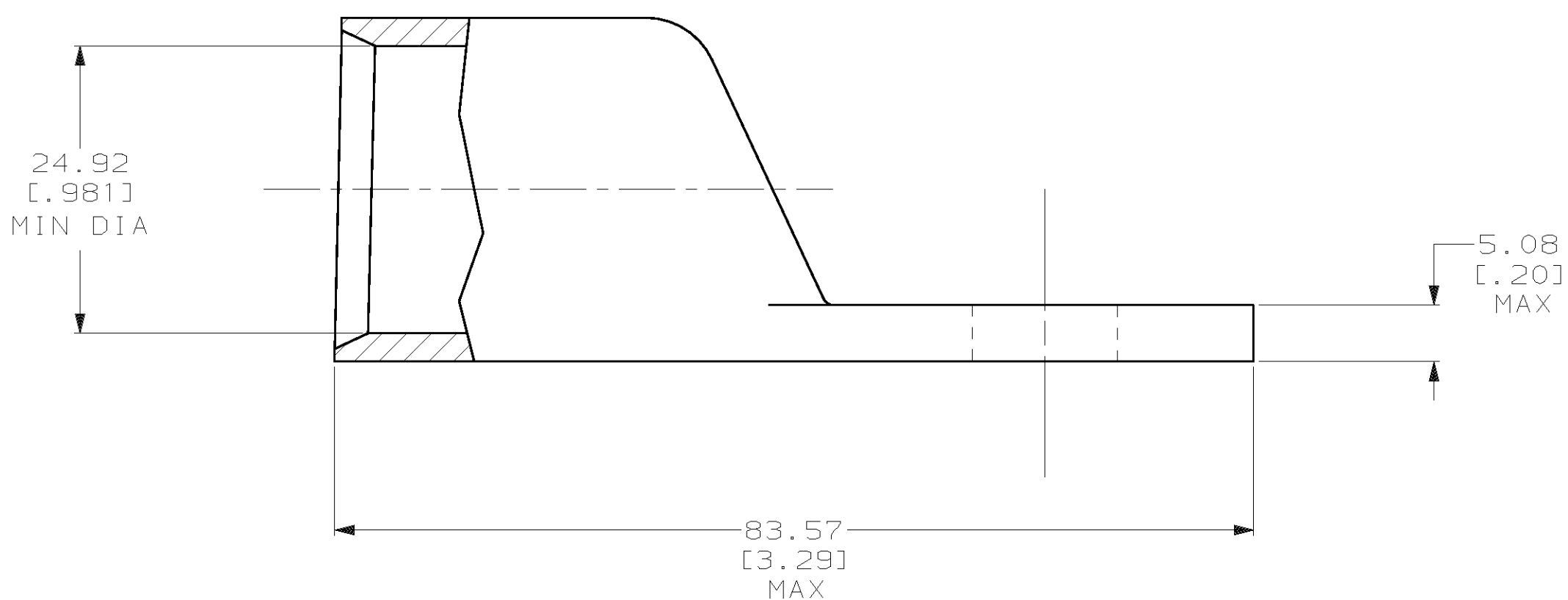


THIS DRAWING IS UNPUBLISHED. RELEASED FOR PUBLICATION ,19 .
 © COPYRIGHT 19 BY AMP INCORPORATED. ALL INTERNATIONAL RIGHTS RESERVED.

LOC		DIST		P		F		ZONE		LTR		REVISIONS		DATE	APPD
G		86										5	REV PER 063A-0561-01	080CT02	JR MS



- 1 CIRCULAR MIL RANGE: 450-550 MCM
- 2 TIN PL 0.00381 [.000150] MIN THK PER MIL-T-10727



NONE	326105-3
REQ'D	326105
SIGHT HOLE	PART NO

DO NOT SCALE PRINT. UNLESS SPECIFIED DIMENSIONS IN mm [INCHES] TOLERANCES ON : 2 PLC DEC ± 0.51 [.020] 3 PLC DEC ± - ANGLES ± -	DR 11/22/91 DK SCHRUM	AMP Incorporated Harrisburg, PA 17105-3608	
	CHK 11/25/91 AJ KAUFMAN		
MATERIAL ANNEALED COPPER ASTM B-75	APPD 11/25/91 WJ VOCKROTH	TERMINAL, AMPPOWER™ WIRE SIZE: 253.0mm ² [500] MCM	
FINISH	APPD 11/25/91 AJ ADELMANN	SIZE	DRAWING NO
	PRODUCT SPEC	C 00779	326105
	APPLICATION SPEC	SCALE 2:1	SHEET 1 OF 1
	WEIGHT .322 LB		

METRIC