



Chipsmall Limited consists of a professional team with an average of over 10 year of expertise in the distribution of electronic components. Based in Hongkong, we have already established firm and mutual-benefit business relationships with customers from,Europe,America and south Asia,supplying obsolete and hard-to-find components to meet their specific needs.

With the principle of “Quality Parts,Customers Priority,Honest Operation,and Considerate Service”,our business mainly focus on the distribution of electronic components. Line cards we deal with include Microchip,ALPS,ROHM,Xilinx,Pulse,ON,Everlight and Freescale. Main products comprise IC,Modules,Potentiometer,IC Socket,Relay,Connector.Our parts cover such applications as commercial,industrial, and automotives areas.

We are looking forward to setting up business relationship with you and hope to provide you with the best service and solution. Let us make a better world for our industry!



## Contact us

Tel: +86-755-8981 8866 Fax: +86-755-8427 6832

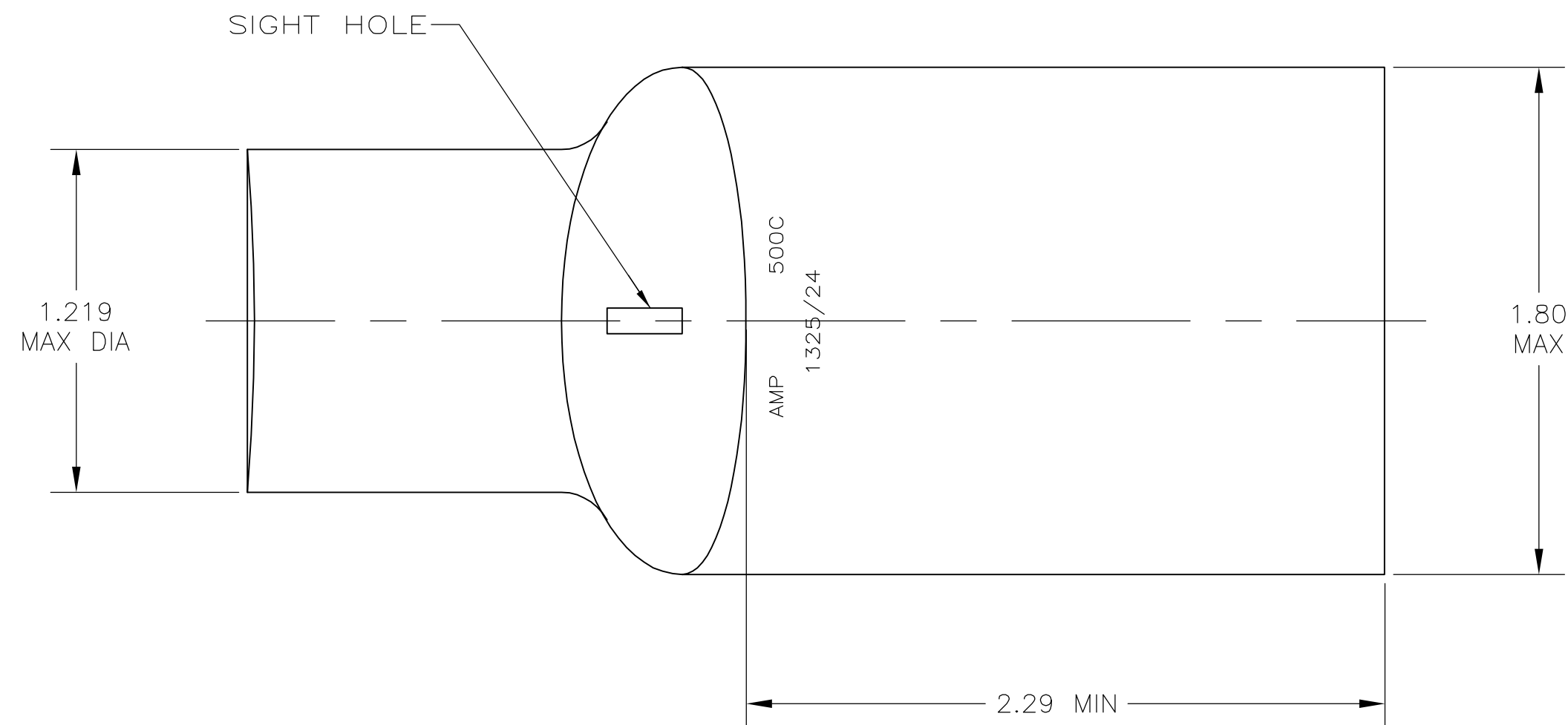
Email & Skype: info@chipsmall.com Web: www.chipsmall.com

Address: A1208, Overseas Decoration Building, #122 Zhenhua RD., Futian, Shenzhen, China

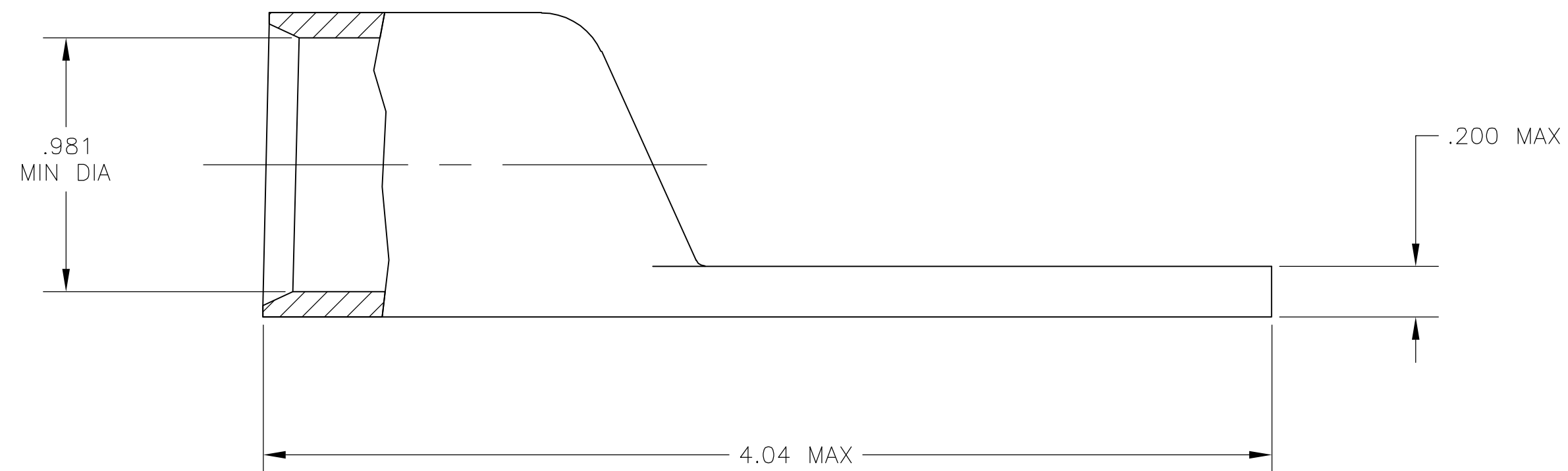


THIS DRAWING IS UNPUBLISHED. RELEASED FOR PUBLICATION  
 © COPYRIGHT BY TYCO ELECTRONICS CORPORATION. ALL RIGHTS RESERVED.

LOC	DIST	REVISIONS					
G	86	P	LTR	DESCRIPTION	DATE	DWN	APVD
		S		REACTIVATED PER ECR 07-009084	23APR07	JR	MS



- 1 CIRCULAR MIL AREA RANGE: 450-550 MCM
- 2 COPPER PER ASTM B-152, ANNEALED
- 3 .000150 MIN TIN PLATE PER ASTM B-545



326113  
 PART NO.

THIS DRAWING IS A CONTROLLED DOCUMENT.		DWN	DK SCHRUM	03/16/90	Tyco Electronics Corporation Harrisburg, PA 17105-3608		
DIMENSIONS: INCHES		CHK	MS FEHER	24JAN95	NAME		
TOLERANCES UNLESS OTHERWISE SPECIFIED:		APVD	TL SHUTTER	24JAN95	PRODUCT SPEC		
0 PLC ± -		APPLICATION SPEC		108-30200			
1 PLC ± -		WEIGHT		.412 LB			
2 PLC ± .020		SIZE		A2			
3 PLC ± -		CAGE CODE		00779			
4 PLC ± -		DRAWING NO		C=326113			
ANGLES ± -		RESTRICTED TO		-			
FINISH		SCALE		2:1			
-		SHEET		1 of 1			
-		REV		S			