



Chipsmall Limited consists of a professional team with an average of over 10 year of expertise in the distribution of electronic components. Based in Hongkong, we have already established firm and mutual-benefit business relationships with customers from,Europe,America and south Asia,supplying obsolete and hard-to-find components to meet their specific needs.

With the principle of “Quality Parts,Customers Priority,Honest Operation,and Considerate Service”,our business mainly focus on the distribution of electronic components. Line cards we deal with include Microchip,ALPS,ROHM,Xilinx,Pulse,ON,Everlight and Freescale. Main products comprise IC,Modules,Potentiometer,IC Socket,Relay,Connector.Our parts cover such applications as commercial,industrial, and automotives areas.

We are looking forward to setting up business relationship with you and hope to provide you with the best service and solution. Let us make a better world for our industry!



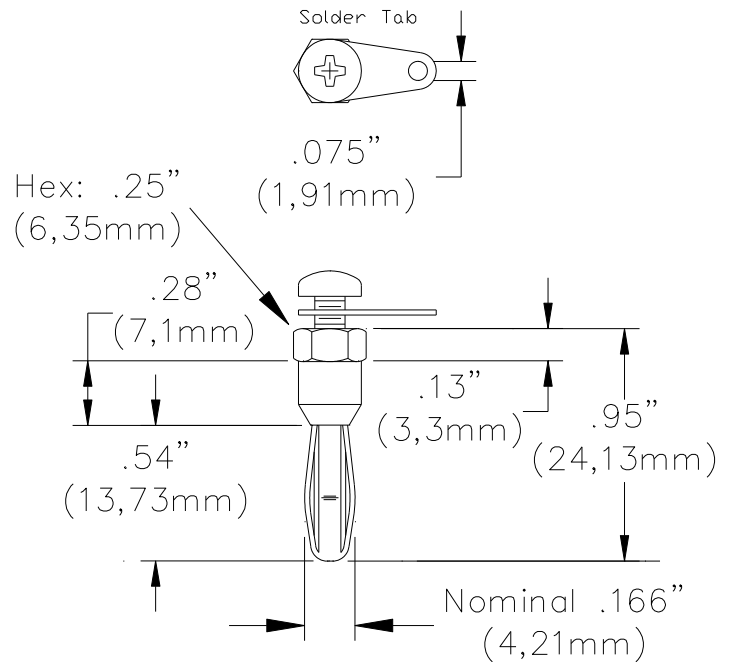
## Contact us

Tel: +86-755-8981 8866 Fax: +86-755-8427 6832

Email & Skype: info@chipsmall.com Web: www.chipsmall.com

Address: A1208, Overseas Decoration Building, #122 Zhenhua RD., Futian, Shenzhen, China





## FEATURES:

- ✓ Fits standard banana jack

## MATERIALS:

Banana Plug Body: Brass, Alloy 360, 1/2 Hard

Spring: Beryllium Copper, Berylco 25, Cond. H.T.

Finish: Nickel plated per QQ-N-290, Class 2, 200/300 microinches

Screw: Model 3265 - 6-32 x .25" (6,35mm) Pan head, Phillips, steel, nickel plated

Model 3266 - 8-32 x .25" (6,35mm) Pan head, Phillips, steel, nickel plated.

Solder Lug: Copper per QQ-C-576

Finish: Electro tin plated

## RATINGS:

Voltage: Hands free testing in controlled voltage environments: 500 Vrms Max. *For CE compliance: not intended for hand-held use at voltages above 33 Vrms/70 Vdc.*

Current: 15 Amps

## ORDERING INFORMATION:

Model with 6-32 screw: 3265

Model with 8-32 screw: 3266

Sold in package of 10

All dimensions are in inches. Tolerances (except noted): .xx = ±.02" (.51 mm), .xxx = ±.005" (.127 mm).

All specifications are to the latest revisions. Specifications are subject to change without notice.

Registered trademarks are the property of their respective companies.

Sales: 800-490-2361 Fax: 888-403-3360 Technical Support: 800-241-2060 (technicalsupport@pomonatest.com)

For "Where to Buy" information, visit the Pomona web site at [www.pomonaelectronics.com](http://www.pomonaelectronics.com)