



Chipsmall Limited consists of a professional team with an average of over 10 year of expertise in the distribution of electronic components. Based in Hongkong, we have already established firm and mutual-benefit business relationships with customers from,Europe,America and south Asia,supplying obsolete and hard-to-find components to meet their specific needs.

With the principle of “Quality Parts,Customers Priority,Honest Operation,and Considerate Service”,our business mainly focus on the distribution of electronic components. Line cards we deal with include Microchip,ALPS,ROHM,Xilinx,Pulse,ON,Everlight and Freescale. Main products comprise IC,Modules,Potentiometer,IC Socket,Relay,Connector.Our parts cover such applications as commercial,industrial, and automotives areas.

We are looking forward to setting up business relationship with you and hope to provide you with the best service and solution. Let us make a better world for our industry!



Contact us

Tel: +86-755-8981 8866 Fax: +86-755-8427 6832

Email & Skype: info@chipsmall.com Web: www.chipsmall.com

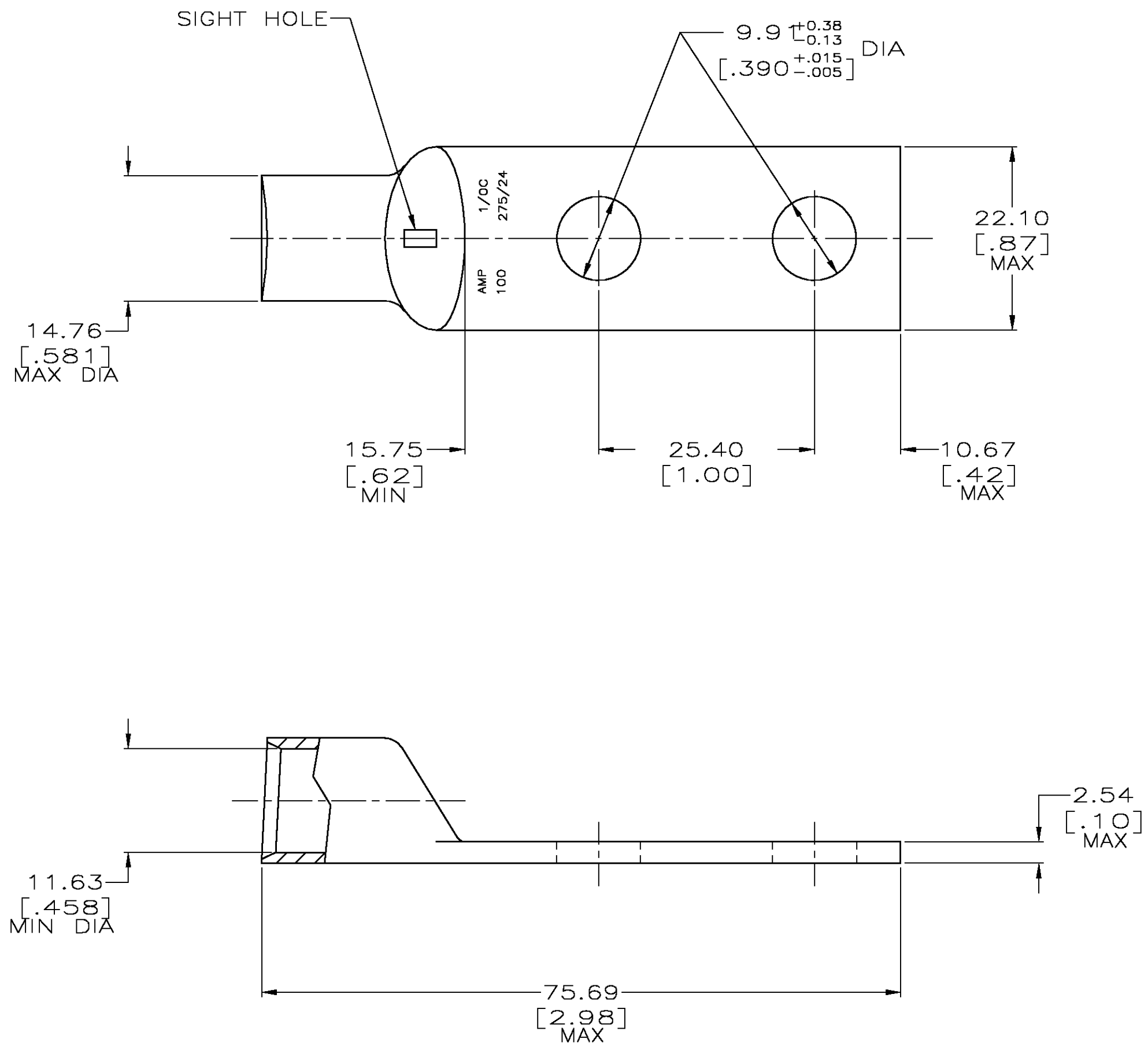
Address: A1208, Overseas Decoration Building, #122 Zhenhua RD., Futian, Shenzhen, China



DRAWING MADE IN THIRD ANGLE PROJECTION

THIS DRAWING IS UNPUBLISHED. RELEASED FOR PUBLICATION .19
 © COPYRIGHT 19 BY AMP INCORPORATED. ALL INTERNATIONAL RIGHTS RESERVED.

LOC	DIST	P	F	ZONE	LTR	REVISIONS	DATE	APPD
G	86				W	REV PER 0G3A-0786-03	08DEC03	MS



- 1 CIRCULAR MIL RANGE: 83,700-119,500 CM
- 2 TIN PL 0.00381[.000150] MIN THK PER ASTM B-545
- 3 CLEANED, UN-PLATED

3	326800-8
2	326800
FINISH	PART NO

DO NOT SCALE PRINT. UNLESS SPECIFIED DIMENSIONS IN mm [INCHES] TOLERANCES ON : 2 PLC DEC ± 0.51[.020] 3 PLC DEC ± - ANGLES ± -	DR 02/28/90 DK SCHRUM	AMP INCORPORATED Harrisburg, Pa. 17105
MATERIAL ANNEALED COPPER ASTM B-75	CHK 31AUG94 MS FEHER	
FINISH SEE TABLE	APPD 31AUG94 WJ VOCKROTH	NAME TERMINAL, AMPOWER, WIRE SIZE: 1/0 AWG
	APPD 31AUG94 TL SHUTTER	SIZE C
	PRODUCT SPEC -	CAGE CODE 00779
	APPLICATION SPEC -	DRAWING NO 326800
	WEIGHT .060 LB	SCALE 2:1
		SHEET 10F 1

METRIC